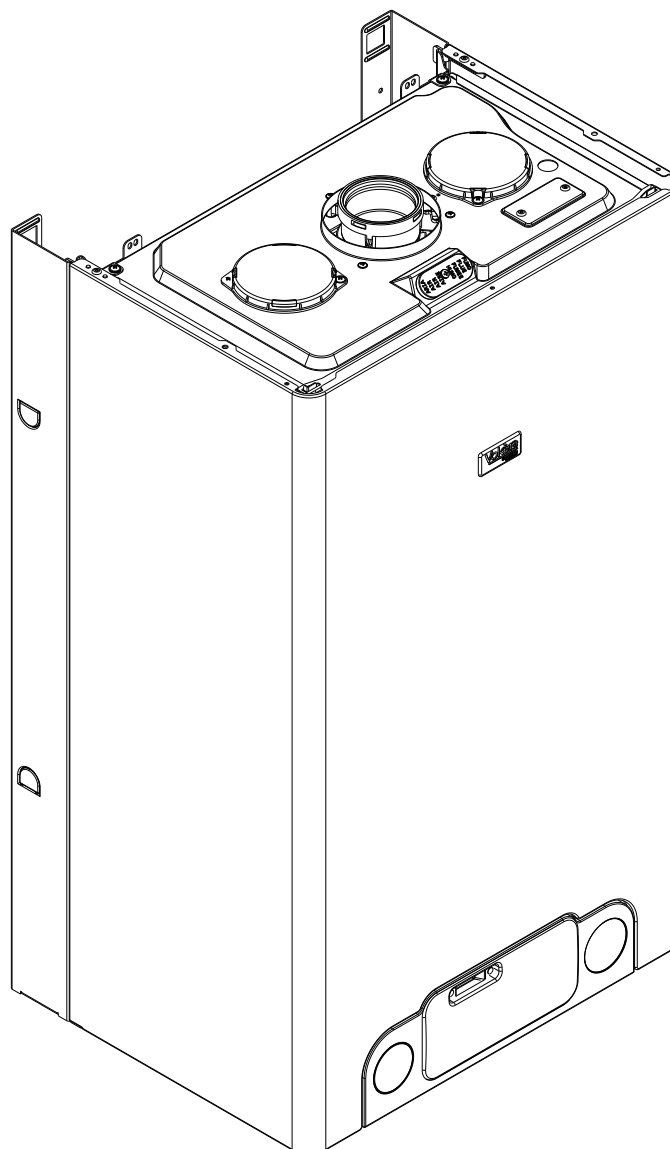
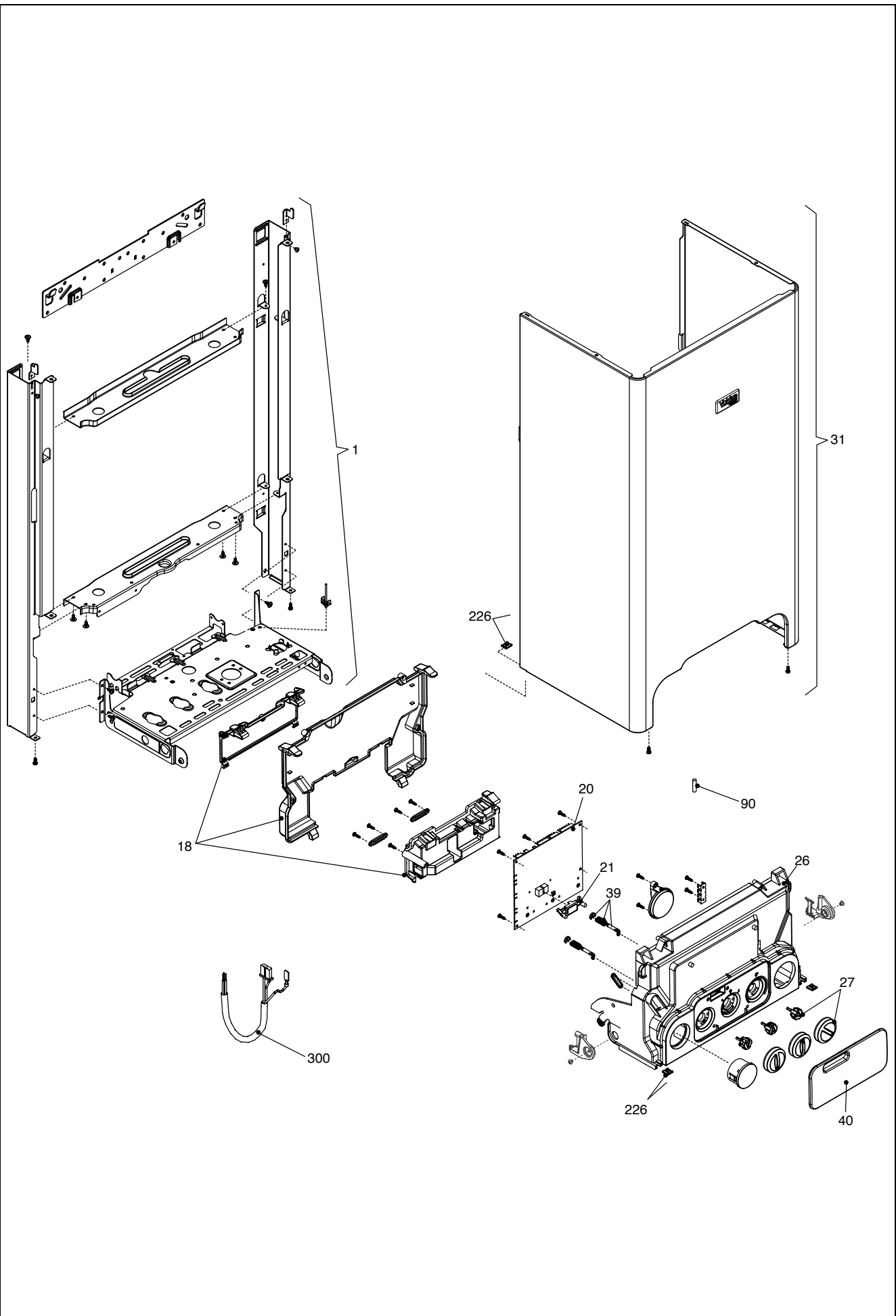


**Wall hung boilers**

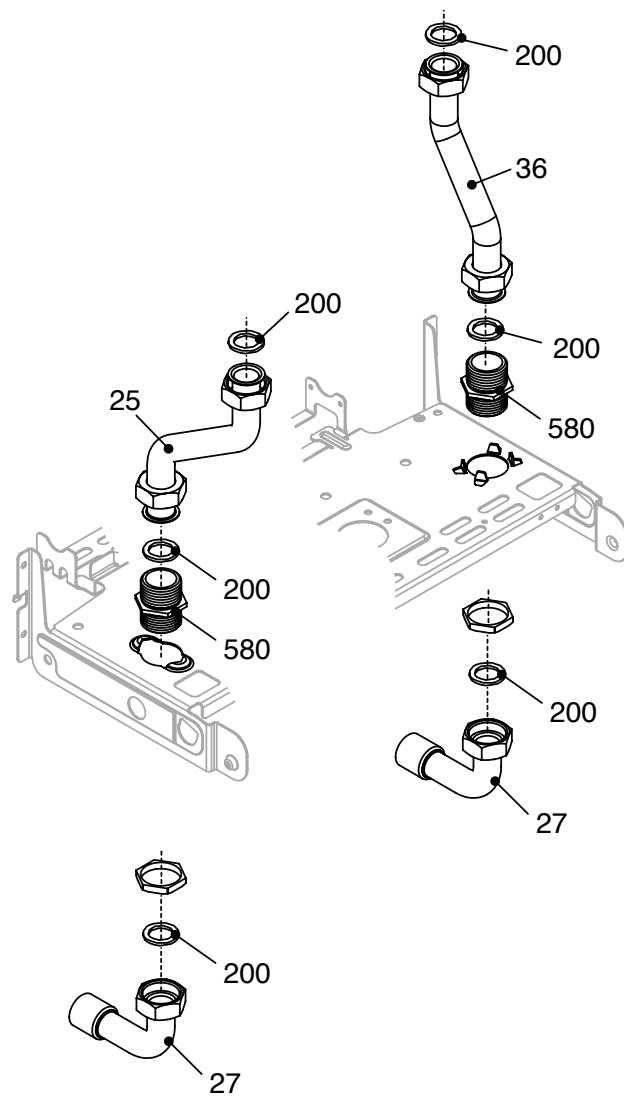
**Mynute 20 VHE**



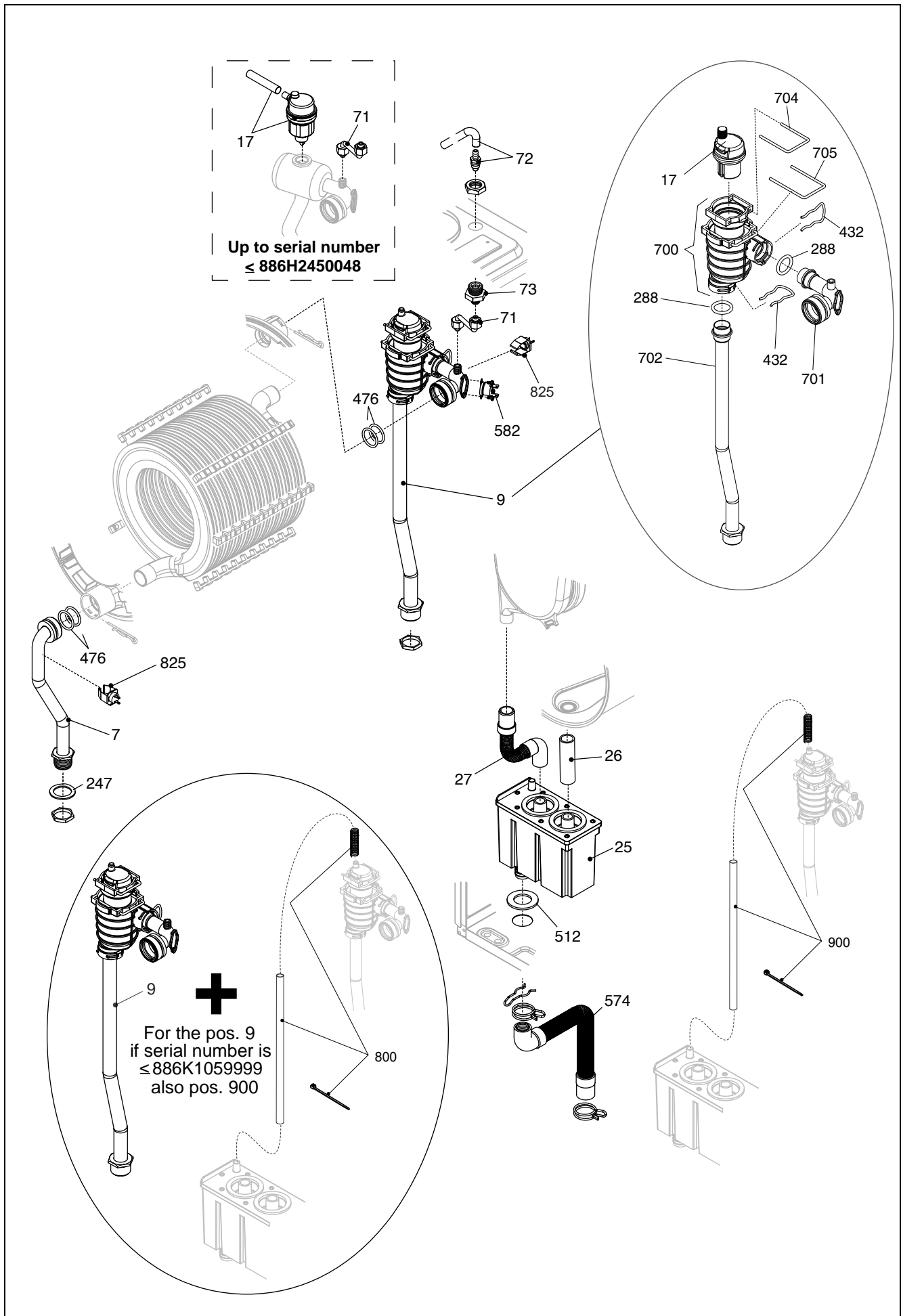
MODEL	PART NUMBER	
	MTN	GPL
Mynute 20 VHE	2351113 (886)	—



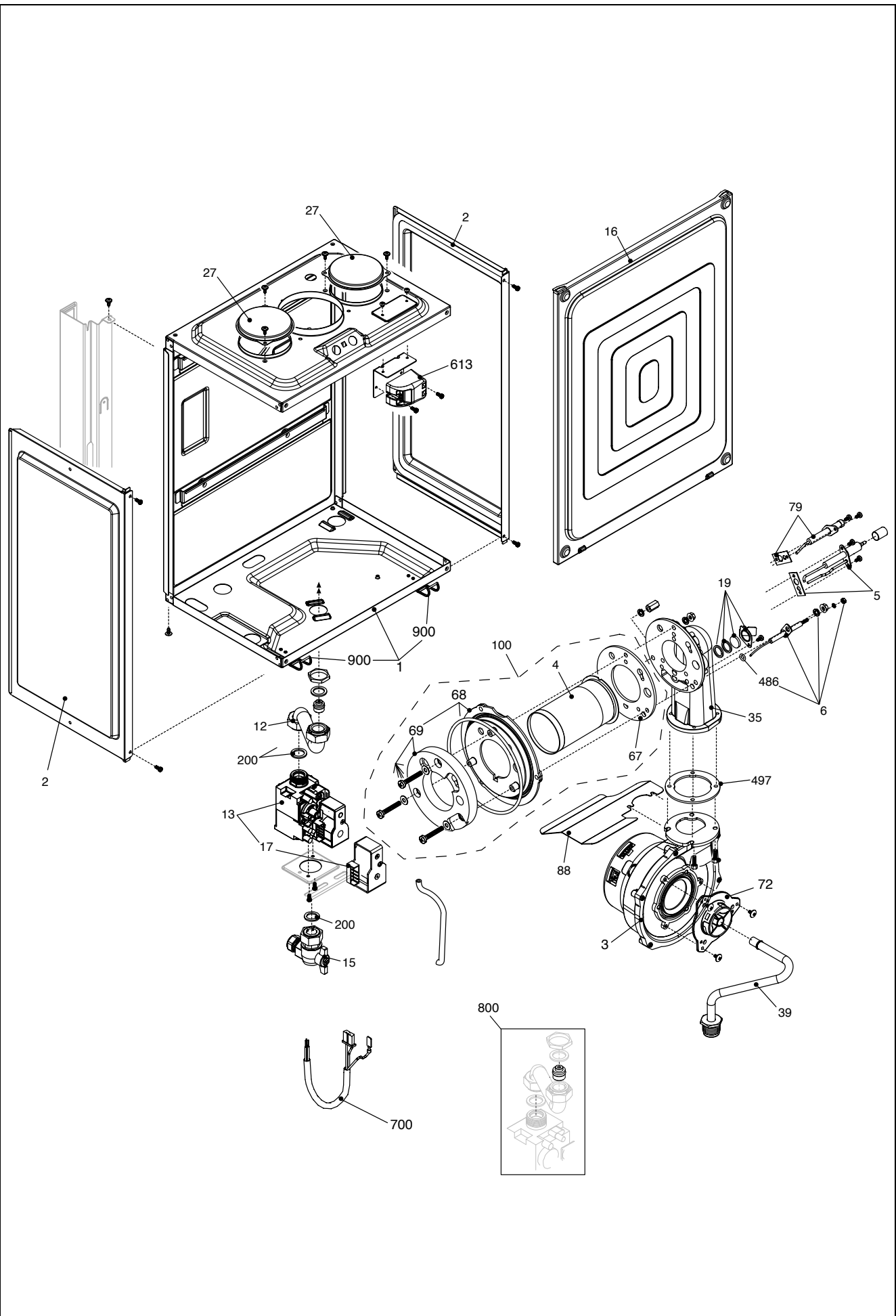
POS.	DESCRIPTION	20
1	Frame assembly	20120837
18	Cover assembly	R10028554
20	Printed circuit board	R10029717
21	Led light guide	R10028557
26	Instrumental panel	R10028551
27	Knob assembly	R10028559
31	Case Assembly	R01005497
39	Control panel hinge	R01005442
40	Door panel	R10030136
90	Fuse	R3478
226	Clip	R5128
300	Power wiring harness	R10028596
300	Wiring harness	R10029722



POS.	DESCRIPTION	20
25	Pipe	R10029590
27	Pipe	R10029592
36	Pipe	R10029591
200	Washer	R5023
580	Connection M 3/4 - 3/4	R10029526

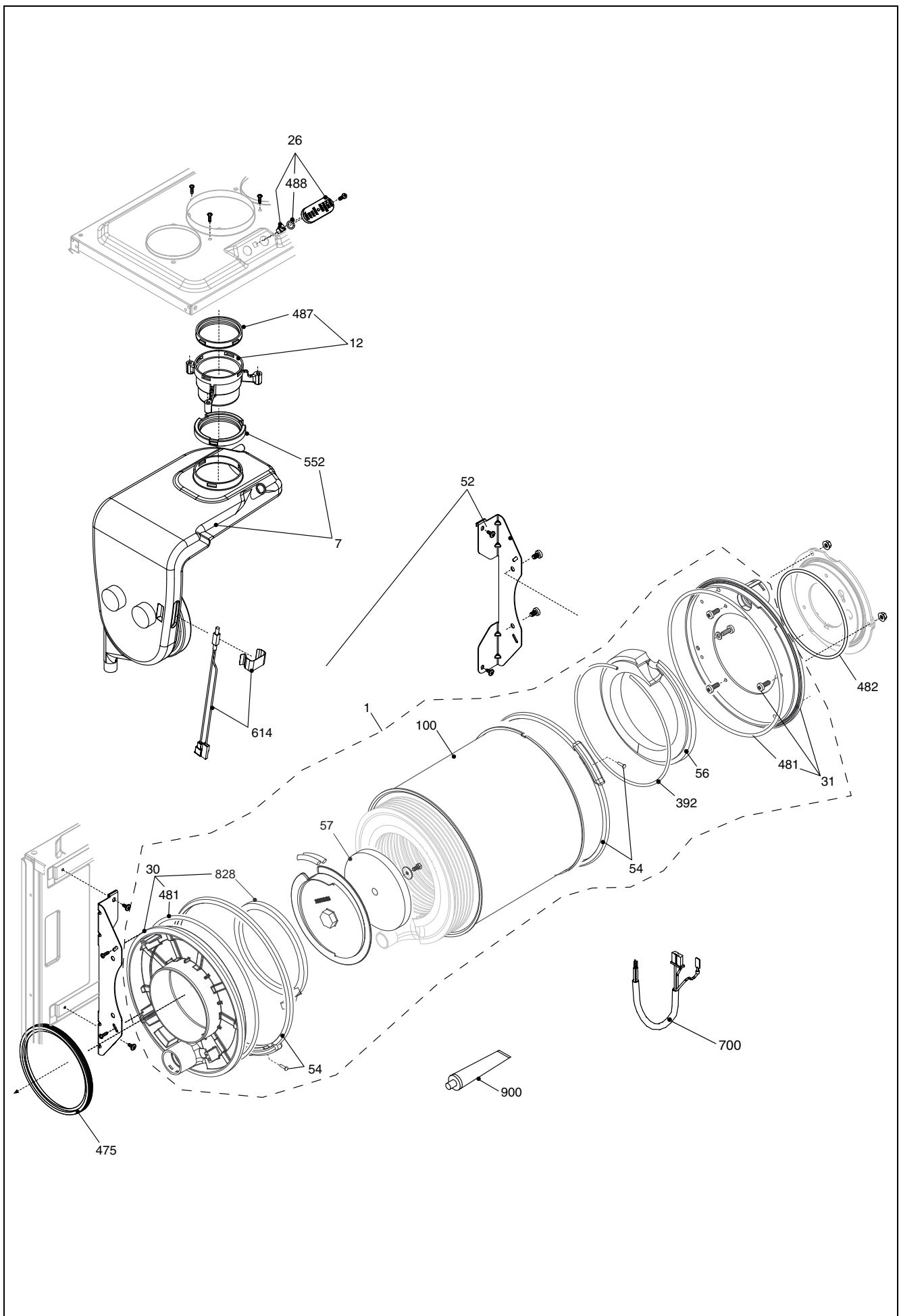


POS.	DESCRIPTION	20
7	Pipe	R10026267
9	Kit degasser + tube (also code 20096793 if serial n. ≤ 886K1059999)	20020182
17	Air vent (up to serial n. ≤ 886H2450048)	R10029306
17	Air vent valve (from serial n. ≥ 886H2450049)	20019768
25	Condensate reservoir	R10028405
26	Flexible pipe	R10028540
27	Flexible pipe	R10027192
71	Pipe (up to serial n. ≤ 886H2450048)	R10028430
71	Pipe (from serial n. ≥ 886H2450049)	20020181
72	Drain tap	R01005137
73	Cock	R10028431
247	Washer	R5203
288	O ring	R6898
432	Clip	R10024958
476	O ring	R10026324
512	Washer	R10027193
541	Pipe	R10028481
574	Flexible pipe	R10028539
582	Thermostat	R9695
700	Degasser kit	20032553
701	Pipe	20019764
702	Pipe	20020180
704	Clip	20019767
705	Clip	20120828
825	NTC Detector	20078350
900	Degasser connection assembly	20096793





POS.	DESCRIPTION	20
1	Roomsealed chamber	R10028341
2	Air chamber side	R10026231
3	Fan	R10028456
4	Burner	20093506
5	Igniter	R10027864
6	Condense electrode	R10026316
12	Gas pipe	R10029607
13	Gas valve	20039202
15	3/4" gas cock	R10020897
16	Air box cover	R10028345
17	Gas valve solenoid	20040675
19	Burner observation port kit	R10026328
27	Hole cover	20005586
35	Air/gas manifold	R10028420
39	Gas pipe	R10030381
67	Washer	R10026322
68	Flange + insulation panel	20046835
69	Insulation panel	20046836
72	White mixer	20019125
79	Flame sensor	R10028422
88	Blower heat shield	20006411
100	Burner assembly	R10028537
200	Washer	R5023
486	O ring	R10026325
497	Washer	R10026796
613	Kit transformer + cable	20002969
700	Spark electrode cable	R10026558
700	Gas valve cable	R10028599
700	Wiring harness	R10028600
800	Ng conversion kit	R01005467
800	LPG conversion kit	R01005446
900	Clips	20061168



POS.	DESCRIPTION	20
1	Condensing exchanger assembly	R01005443
7	Conveyor	20008306
12	Flue drain connection	R10028421
26	Plug and nut	20089999
30	Flange	20101331
31	Burner flange	20047807
52	Bracket-kit	20101332
54	Ring closing	20047811
56	Insulation panel	20047812
57	Tryton retarder	20036537
100	Container exchanger	20048269
392	Washer	20047819
475	Outlet heat exch.seal gasket	R10026323
481	Washer	20047802
482	Inlet heat exch.seal gasket	R10026366
487	Washer Ø 60	R10026345
488	O ring	R10026494
552	Washer Ø 60	R10028426
614	High limit	20001564
700	Combustion cable	R10029723
828	Washer	20095796
900	Tube sealant	20047820

Rev.	data	Descrizione
1.0	20/03/07	Modifiche varie
2.0	01/10/07	Modifiche varie
3.0	17/04/08	E00120080089 : cablaggi, trasformatore, termostato fumi, termostato limite E00120070171 : cambiato disegno convogliatore scarico fumi
4.0	07/08/08	E00120080266 : sonda e molletta
5.0	09/10/09	E00120090492: nuovo brand Vokera - E00120090526: mixer
6.0	04/01/2010	E00120090590 : rampa degasatore – E00120090613 : tappo scatola aria
7.0	06/04/2011	Inserito Tryton scambiatore condensante E00120110166 : eliminata protezione curva scambiatore
8.0	28/07/2011	E00120110317 . nuova bobina valvola gas – E00120110306 : valvola gas
9.0	20/12/2011	E00120110744 : Flangia e isolante bruciatore
10.0	24/05/2013	Gestione componenti scambiatore condensante – Aggiunte clip scatola aria
11.0	24/09/2013	E00120130612 : sonda a contatto
12.0	09/03/2015	Tolto codice caldaia versione gpl – E00120140213 : fissaggio cruscotto Gestione bruciatore singolo – Gestione matricola rampa degas rif. E00120090590 E00120140520 : tappo degasatore due fori E00120140464 : guarnizione scambiatore condensante Gestione matricola per il collegamento valvola sfiato - sifone
13.0	08/07/2015	E00120150155 : flangia e staffa (scambiatori MK1)
14.0	20/05/2016	Aggiunta molletta fissaggio tappo degasatore – Aggiornato codice telaio
15.0	22/02/2017	Aggiornata vista assonometrica caldaia della copertina E00120170040 : Nuovo Brand Vokera by Riello



Vokera reserve the right to change the specifications without prior notice.  
Consumers' statutory rights are not affected.