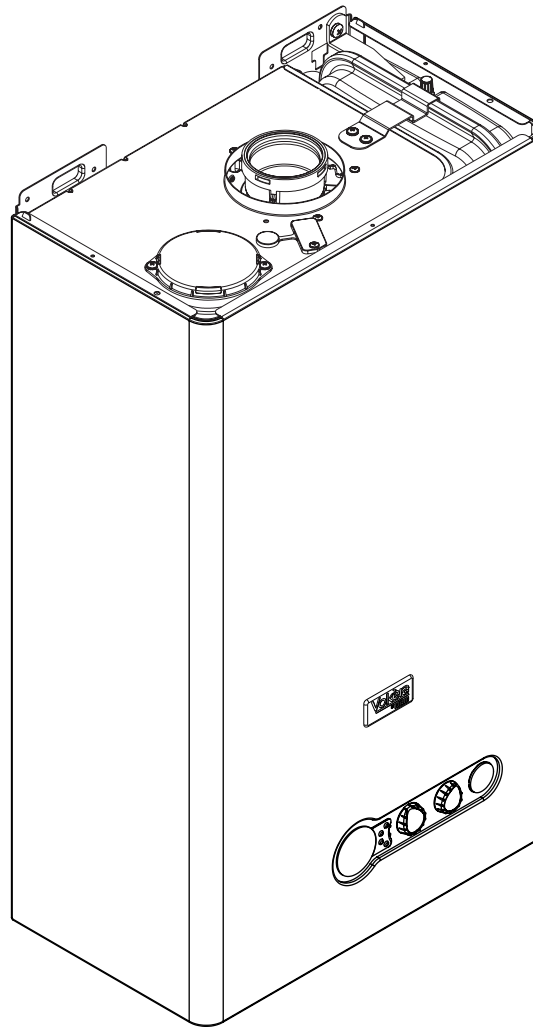
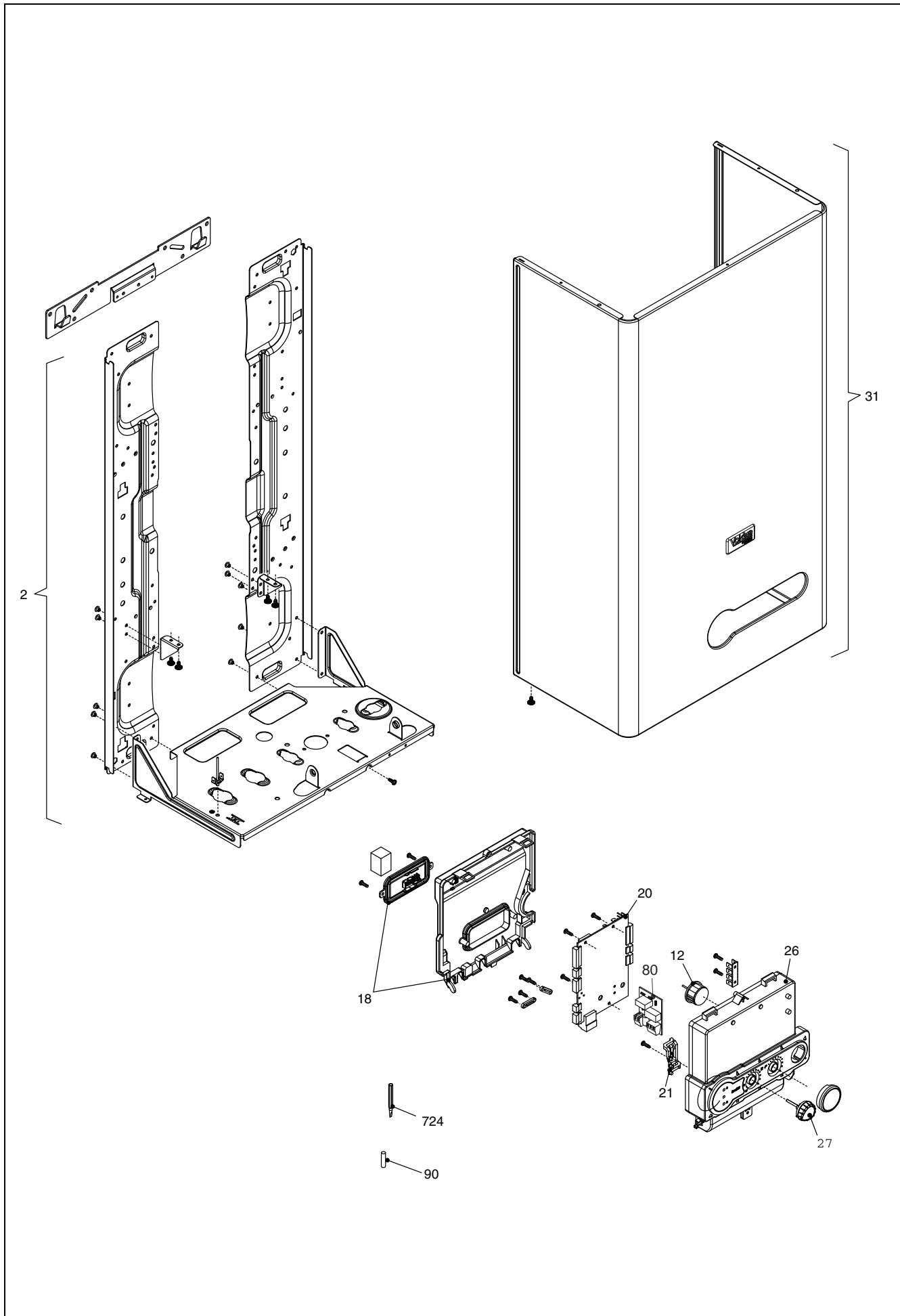


Wall hung boilers

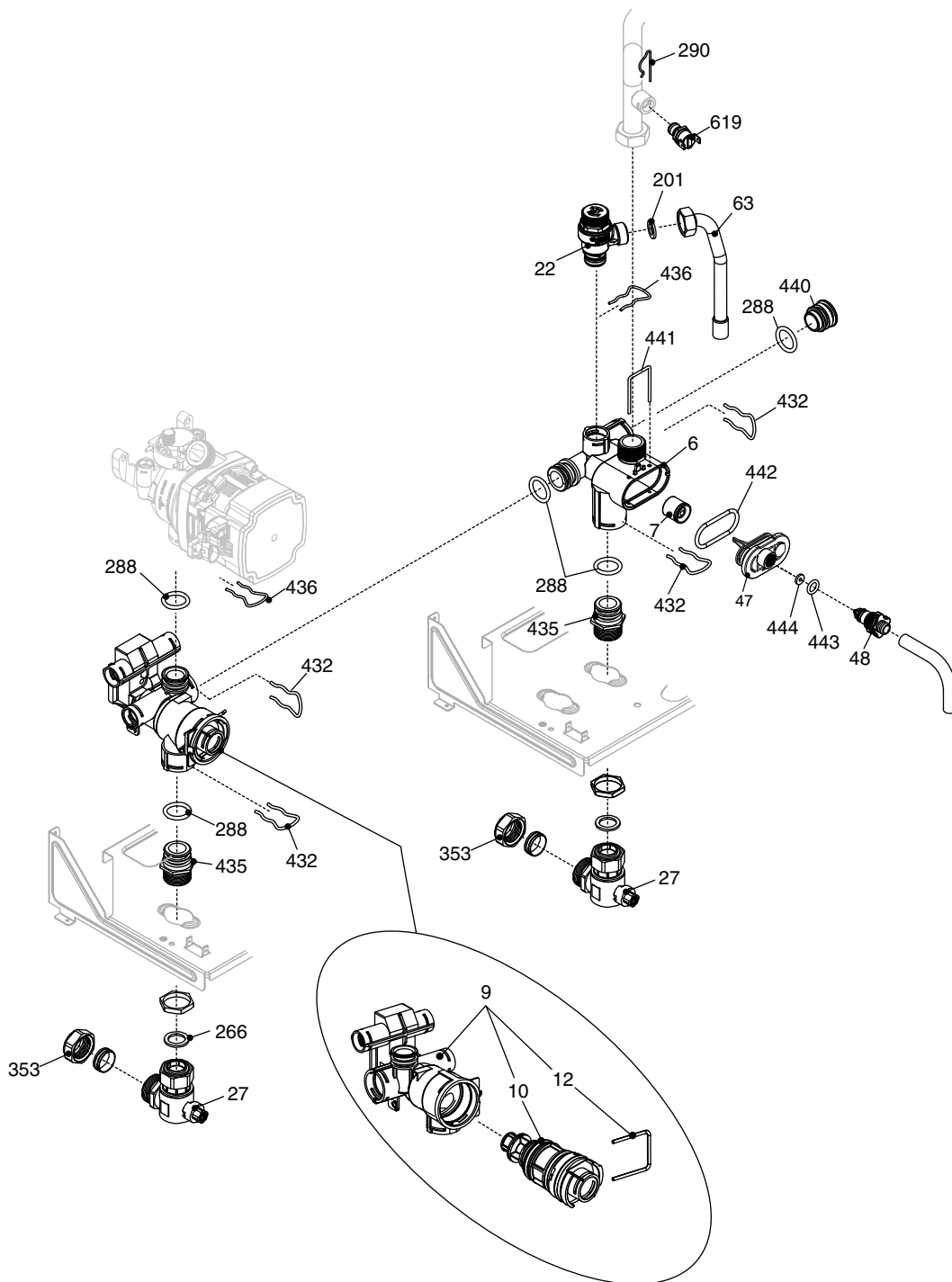
VIBE 25A



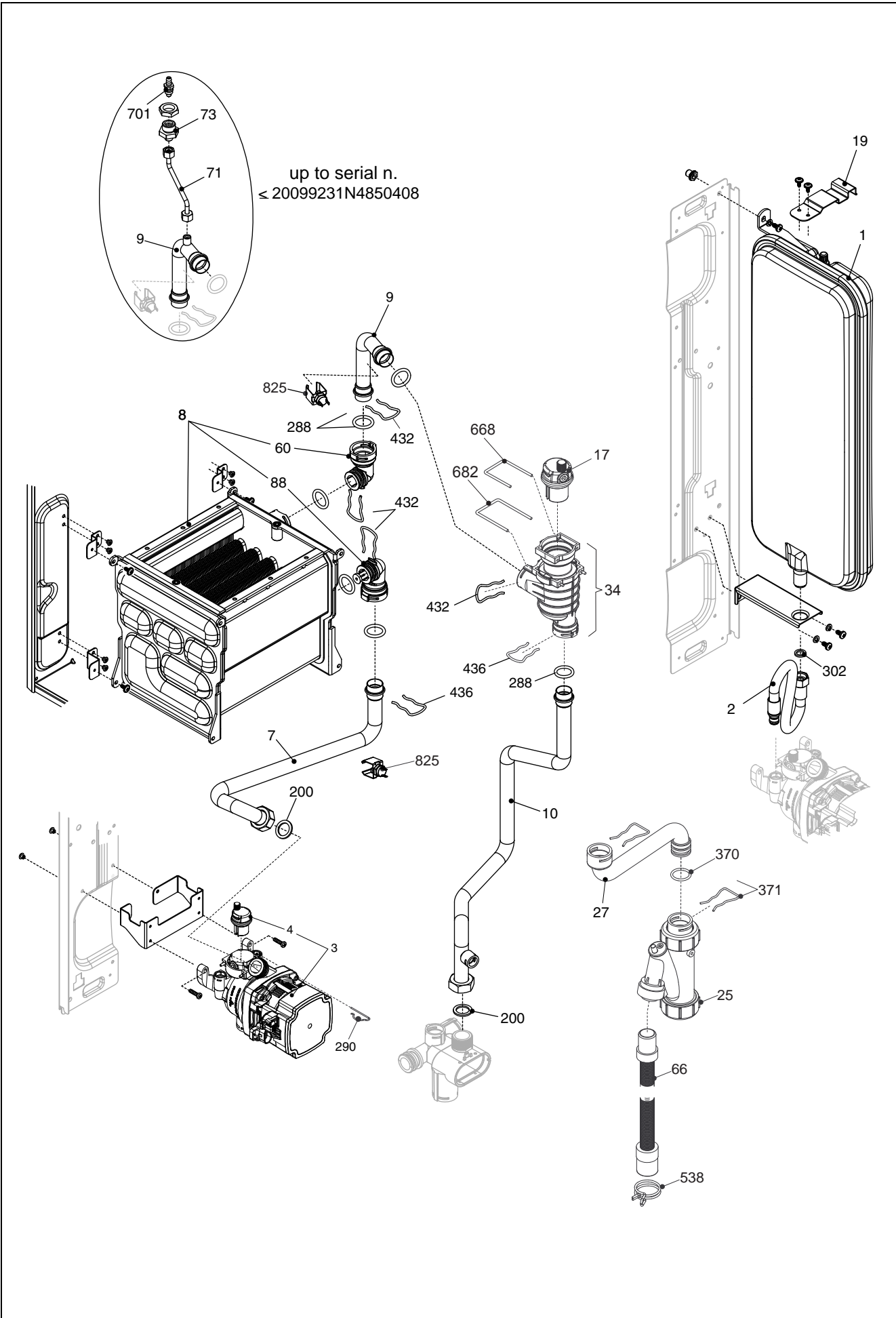
MODEL	PART NUMBER	
	MTN	GPL
Vibe 25A	20099231	-



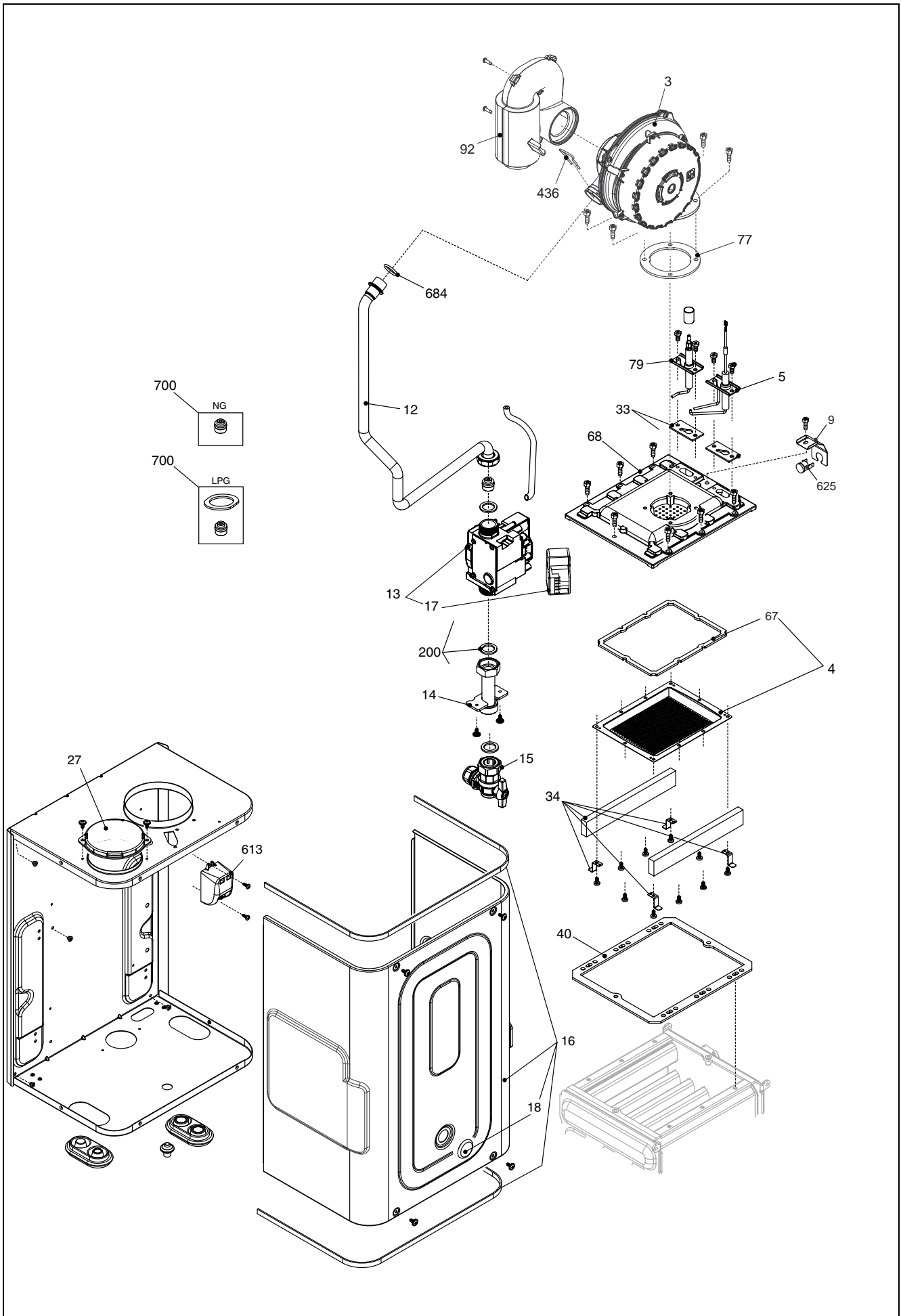
POS.	DESCRIPTION	25a
2	Frame assembly	20049618
12	Quick primer pressure gauge	20049617
18	Cover assembly	20057326
20	Printed circuit board (up to serial n. \leq 20099231N0650036)	20069541
20	Printed circuit board (from serial n. \geq 20099231N0650037)	20145176
21	Led light guide	20057350
26	Instrumental panel	20088621
27	Knob	20057330
31	Case Assembly	20132153
80	Printed circuit board	20076436
90	Fuse	R3478
724	Calibration screwdriver	R2455



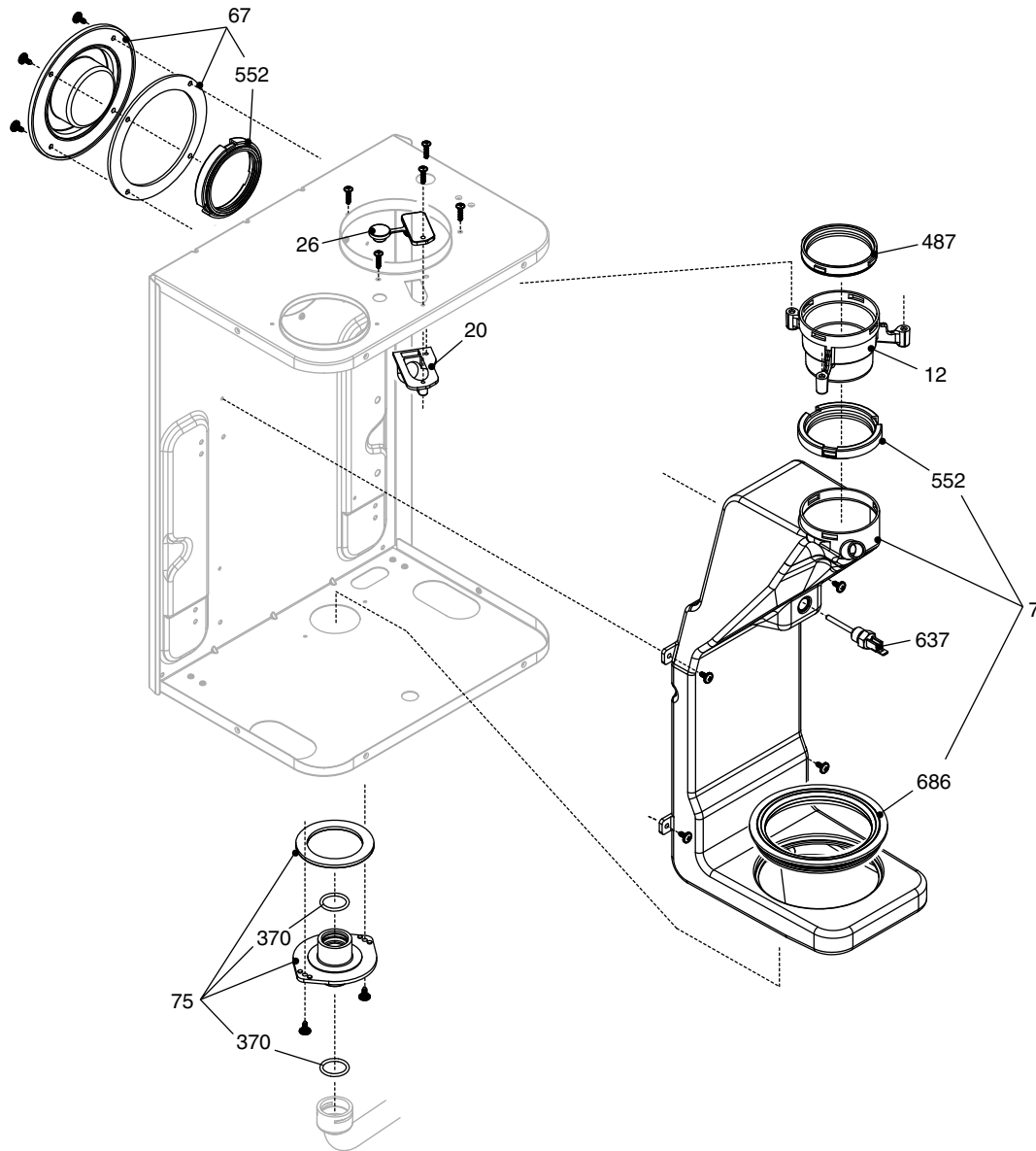
POS.	DESCRIPTION	25a
6	By-pass casing	R10024641
7	By-pass valve	R1552
9	Heating manifold and cartridge	R10027768
10	3 way valve cartridge	R10025305
12	Clip	R10025450
22	Safety valve	20043820
27	Heating cock	R1789
47	Cover for by-pass assembly	20133375
48	Cock	R10024646
63	Pipe	20025755
201	Washer	R5026
266	Washer	R5237
288	Ring	R6898
290	Clip	R2165
353	Nut	R1824
432	Clip	R10024958
435	Fitting/union	R10025059
436	Clip	R10025062
440	Automatic by-pass plug	R10024645
441	Clip	R10025063
442	O ring	R10025065
443	O ring	R10025064
444	Washer	R10025066
619	Pressure	20003181



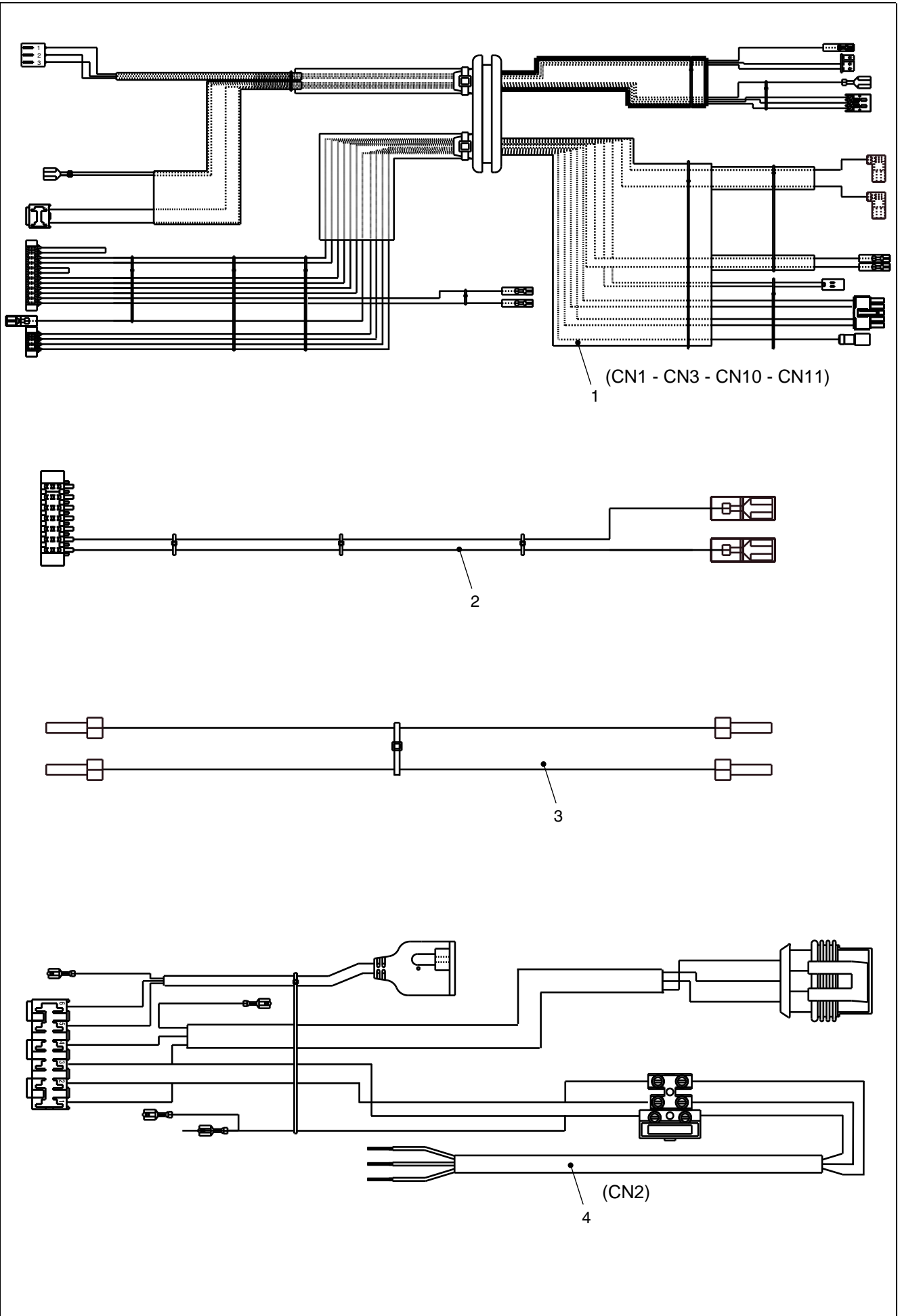
POS.	DESCRIPTION	25a
1	8 lt. expansion vessel	20138101
2	Pipe	R10028603
3	6m. pump	20136316
4	Air vent bottle	R10025485
7	Pipe	20137499
8	Condensing exchanger assembly	20039924
9	Pipe (up to serial n. \leq 20099231N4850408)	20090680
9	Pipe (from serial n. \geq 20099231N4850409)	20161310
10	Pipe	20137497
17	Air vent valve	20147535
19	expansion vessel bracket	20125261
25	Condensation drainage syphon	20155759
27	Condensation outlet tube	20025743
34	Degasser kit	20032553
60	Connection	20039953
66	Flexible pipe	R10027545
71	Pipe (up to serial n. \leq 20099231N4850408)	20025746
73	Cock (up to serial n. \leq 20099231N4850408)	R10028431
88	Connection	20039954
200	Washer	R5023
288	O-ring	R6898
290	Clip	R2165
302	Washer	R5025
370	O-ring	R10023533
371	Clip	R10023532
432	Clip	R10024958
436	Clip	R10025062
538	Hose clamp	20152306
668	Clip	20019767
682	Clip	20120828
701	Vent plug (up to serial n. \leq 20099231N4850408)	R10023235
825	NTC Detector	20078350



POS.	DESCRIPTION	25a
3	Integrated fan	20081318
4	Burner	20055216
5	Spark ignition electrode	20025737
9	Clip	20093799
12	Pipe	20025745
13	Gas valve	20039202
14	Gas pipe	20005553
15	3/4" gas cock	R10020897
16	Combustion chamber cover	20005594
17	Gas valve solenoid	20040675
18	Plug	20005550
27	Hole cover	20005586
33	Electrode seal	20025740
34	Protection	20046270
40	Heat exchanger gasket (29kw)	20160020
67	Burner seal (29kw)	20160019
77	Washer	20025753
79	Flame sensor electrode	20043523
92	Silencer	20025760
200	Washer	R5023
436	Clip	R10025062
613	Ignition transformer	20001563
625	High limit thermostat	20005585
680	Washer	20024869
700	Ng conversion kit (up to serial n. ≤ 20099231L4256840)	20057751
700	Ng conversion kit (from serial n. ≥ 20099231L4256841)	20113104
700	LPG conversion kit (up to serial n. ≤ 20099231L4256840)	20029055
700	Lpg conversion kit (from serial n. ≥ 20099231L4256841)	20113110



POS.	DESCRIPTION	25a
7	Conveyor	20055453
12	Flue drain connection	R10028421
20	Outlet nut	20026049
26	Plug	20026058
67	Drain plug	20000118
75	Flue clector	20026056
370	O ring	R10023533
487	Washer Ø 60	R10026345
552	Washer Ø 60	R10028426
637	Flue sensor	20007050
686	Washer	20026059



POS.	DESCRIPTION	25a
1	Combustion cable	20025736
2	Low tension cable	20035502
3	Wiring harness	20076437
4	Power wiring harness	20096531

Rev.	data	Descrizione
1.0	30/11/2015	E00120150290 : tappo degasatore 2 fori E00120150787 : diaframma gas , trasformazioni gas
2.0	08/04/2016	Corretto disegno scatola aria – Aggiunta guarnizione bruciatore Inserita nuova tavola per gestione disegni cablaggi elettrici
3.0	06/12/2016	Corrette trasformazioni gas (e gestione matricola)rif.E00120150787– aggiunta staffa fiss.vaso esp. Corretto disegno coperchio camera combustione – aggiunta molletta fissaggio tappo degasatore
4.0	22/02/2017	Aggiornata vista assonometrica caldaia della copertina – Aggiornato codice mantello E00120170040 : Nuovo Brand Vokera by Riello
5.0	19/06/2017	E00120170341 : valvola sfogo aria – E00120170129 : circolatore E00120170020 : idrometro innesto rapido
6.0	20/07/2017	E00120170407 : coperchio corpo by-pass
7.0	28/09/2017	E00120170441 : vaso espansione – E00120170542 : idrometro capillare rame
8.0	23/01/2018	E00120180036 : mollette su rampe alluminio – E00120170428 : Rampe alluminio
9.0	20/02/2018	E00120170696 : sifone modifica GAR E00120170611 : scheda modifica GAR (con gestione matricola)
10.0	24/09/2018	Aggiunta molletta fissaggio tubo tav.3 pos.538 – E00120180111 : valvola sfogo aria E00120180510 : traversa sostegno caldaia – E00120180460 : sifone condensa
11.0	10/01/2019	E00120180853 : sfiato aria manuale , cassa aria (con gestione matricola) E00120180694 : guarnizioni bruciatore e coperchio scambiatore



Vokera reserve the right to change the specifications without prior notice.
Consumers' statutory rights are not affected.