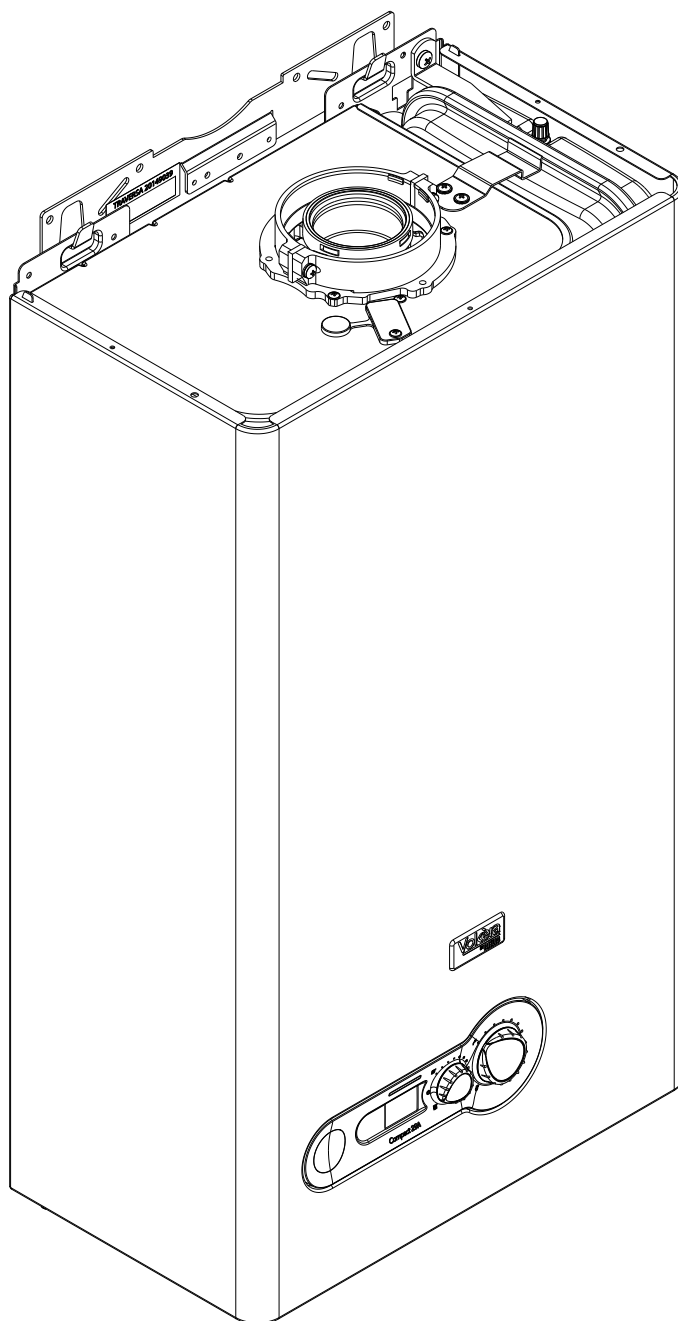
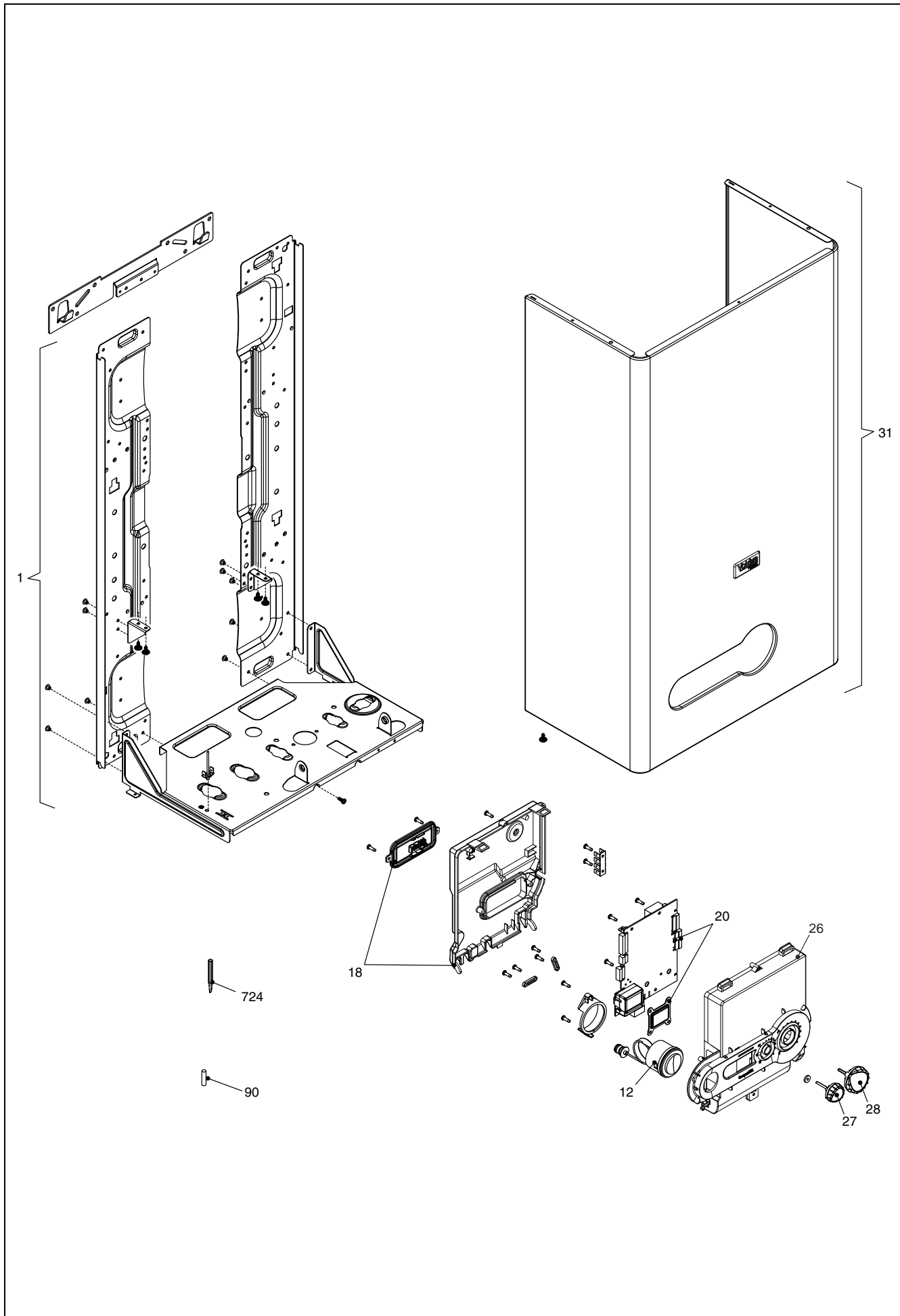


**Wall hung boilers**

# Compact 25 A DIN



MODEL	PART NUMBER	
	MTN	GPL
Compact 25 A DIN	20162844	-



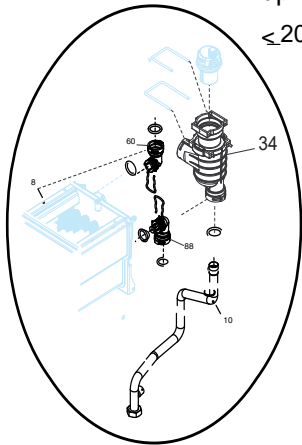
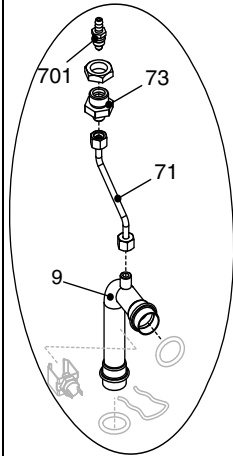
<b>POS.</b>	<b>DESCRIPTION</b>	<b>25a</b>
2	Frame	20060133
12	Pressure gauge	20042115
18	Control panel cover	20101178
20	Printed circuit board	20177590
26	Instrument panel	20101186
27	Knob	20057330
28	Knob	20059926
31	Case Assembly	20083194
90	Fuse	R3478
724	Calibration screwdriver	R2455



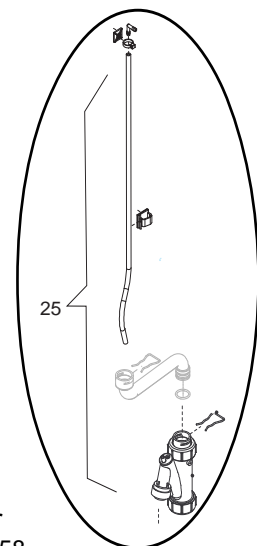
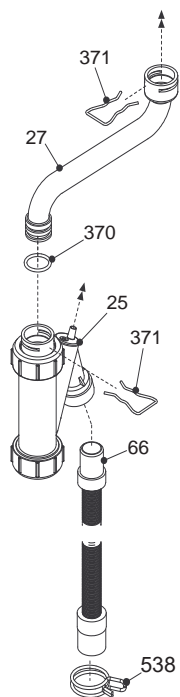
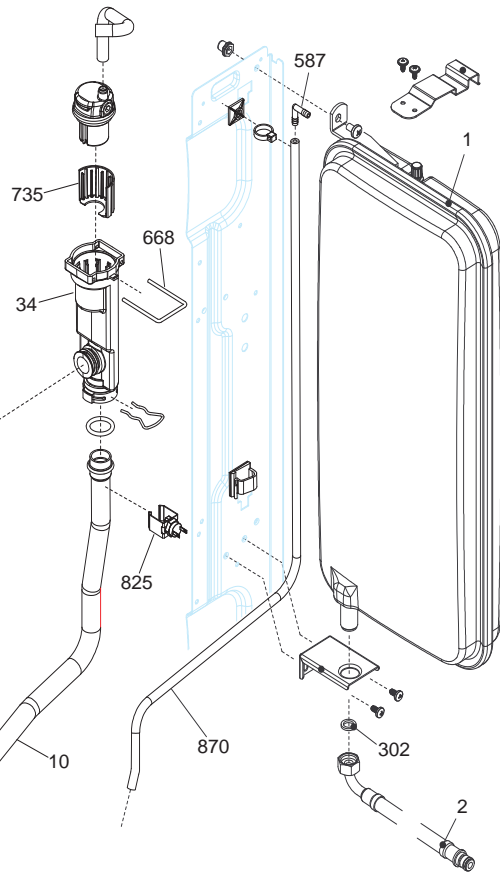
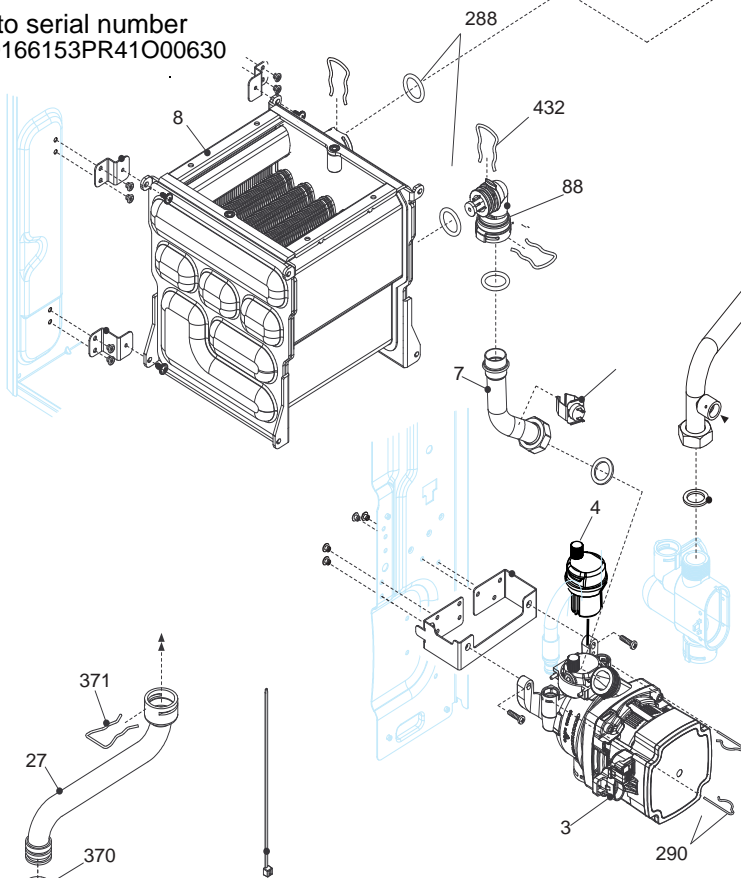


POS.	DESCRIPTION	25a
1	Exchanger	R8036
2	Fitting/union	20092620
4	Non return valve	R10025056
5	Connection	R10024647
6	By-pass casing	R10024642
7	High head by-pass valve	R1552
8	Pipe	R10025057
9	3-way heating manifold and cartridge	20021497
10	Cartridge	20043594
11	Actuator	20017594
13	Clip	20017598
22	Safety valve	20043820
24	Flow governor	R10026043
25	Pipe	R10024982
26	Dhw actuator	20069786
27	Heating cock	R1789
28	Connection	R1790
30	Water supply stop cock	R7099
37	Pipe	20013140
47	Cover for by-pass assembly	20133375
48	Cock	R10024646
63	Pipe	20036120
65	Pipe	R10024983
200	Washer	R5023
201	Washer	R5026
265	Washer	R5236
266	Washer	R5237
288	O-ring	R6898
290	Clip	R2165
351	Nut	R1823
353	Nut	R1824
432	Clip	R10024958
433	Clip	R10024986
434	Nipple	R10024985
435	Fitting/union	R10025059
436	Clip	R10025062
438	O-ring	R10024988
439	Washer	R10025067
441	Clip	R10025063
442	O-ring	R10025065
443	O-ring	R10025064
444	Washer	R10025066
521	NTC sensor	R10027351
619	Pressure	20003181

up to serial n.  
≤ 20162844PR06P004957

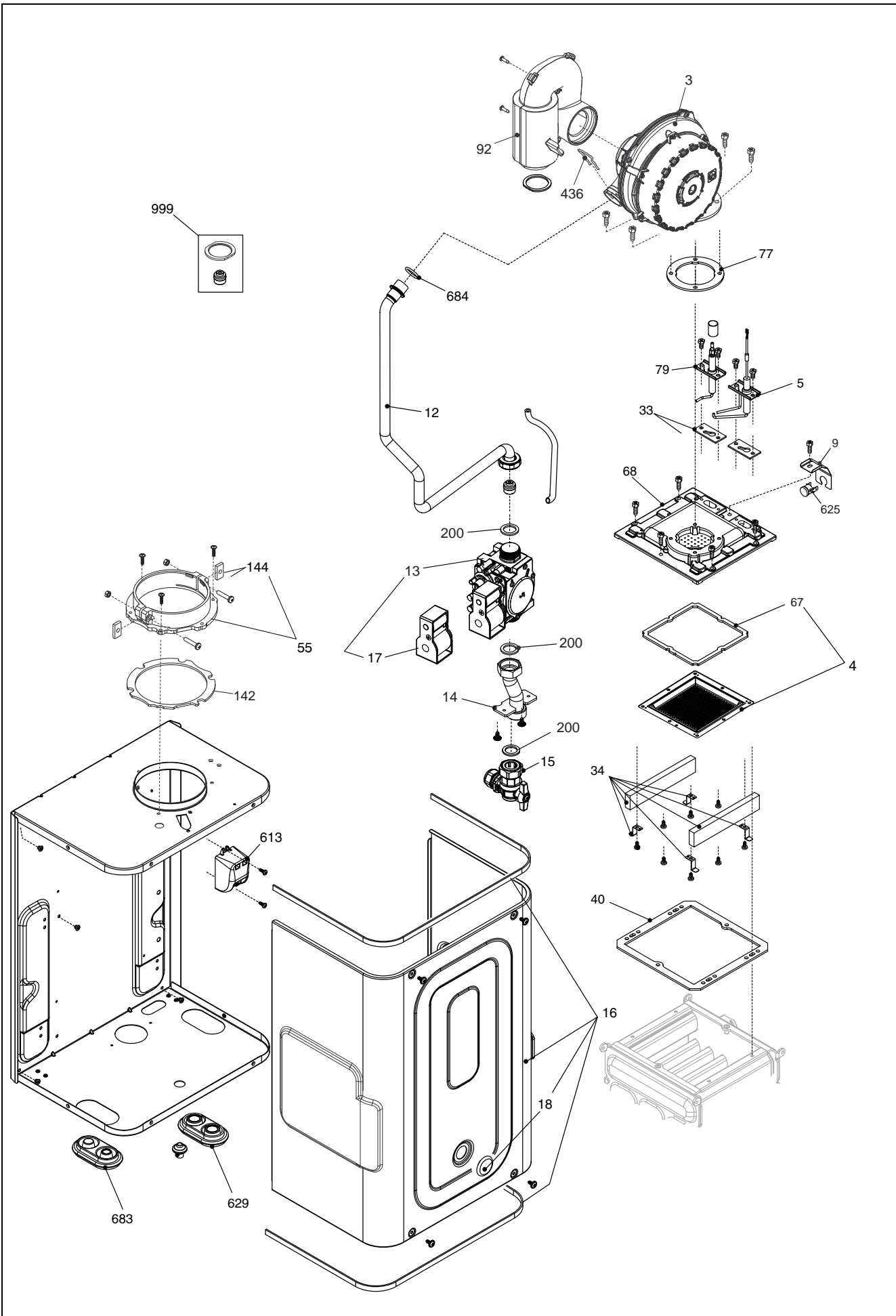


up to serial number  
≤ 20166153PR41O00630

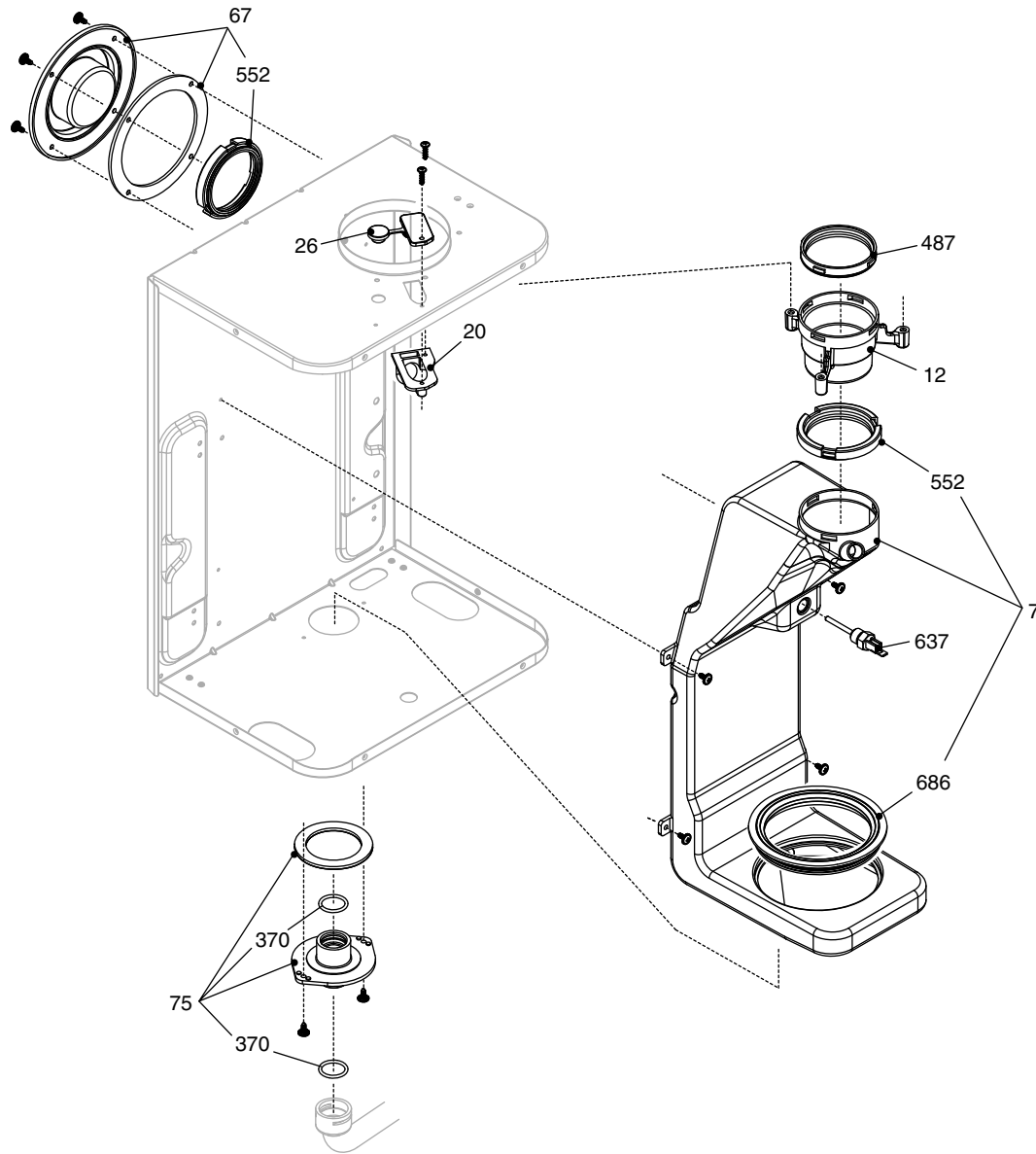


up to serial number  
≤ 20162844PR40O005258

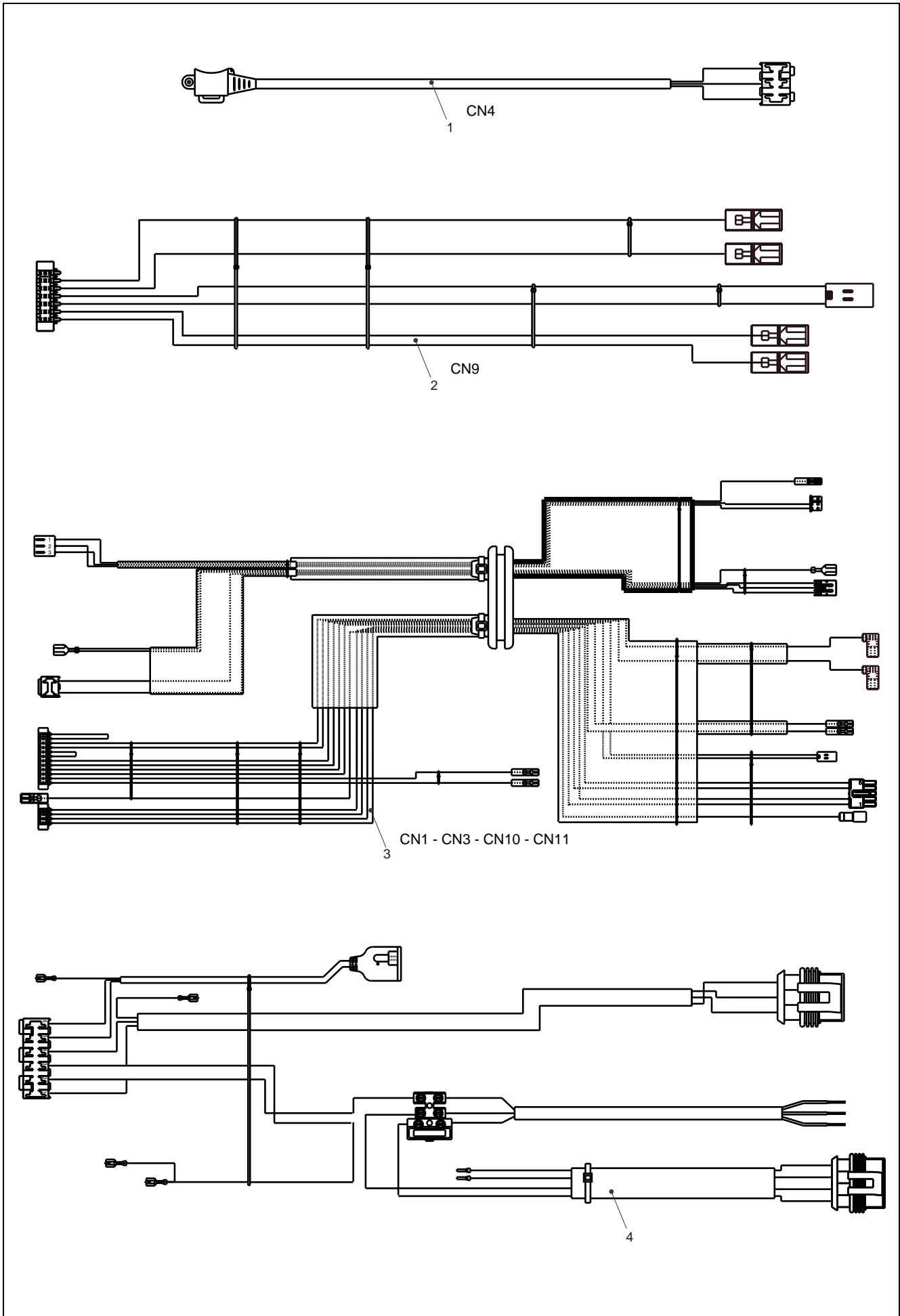
POS.	DESCRIPTION	25
1	8lt. expansion tank	20138098
2	Flexible pipe	20012937
3	6m. pump	20136316
4	Air vent bottle	R10025485
7	Pipe	20074590
8	Condensing exchanger assembly	20163794
9	Pipe	20161310
10	Pipe	20072330
19	expansion vessel bracket	20125261
25	Drainage pipe + siphon kit (up to serial n. $\leq$ 20162844PR40005258)	20169872
25	Siphon	20189084
34	Degasser kit (up to serial n. $\leq$ 20162844PR06P004957)	20032553
34	Hydraulic connection (from serial n. $\geq$ 20162844PR06P004958)	20164544
60	Connection	20039953
66	Flexible pipe	R10027545
88	Connection	20039954
200	Washer	R5023
288	O-ring	R6898
290	Clip	R2165
302	Washer	R5025
370	O-ring	R10023533
371	Clip	R10023532
432	Clip	R10024958
538	Hose clamp	20152306
587	Connection (from serial n. $\geq$ 20162844PR40005259)	R10030382
668	Clip	20019767
682	Clip	20120828
735	Water filter	20165861
825	NTC Detector	20078350
870	Silicone tube (from serial n. $\geq$ 20162844PR40005259)	20169894



POS.	DESCRIPTION	25a
3	Integrated fan	20081316
4	Burner	20044892
5	Spark ignition electrode	20025737
9	Clip	20093799
12	Pipe	20039152
13	Gas valve	20039202
14	Gas pipe	20040474
15	3/4" gas cock	R10020897
16	Combustion chamber cover	20005594
17	Gas valve solenoid	20040675
18	Plug	20005550
33	Electrode seal	20025740
34	Protection	20044890
40	Heat exchanger gasket (25kw)	20160018
55	Fumes flange	20157132
67	Burner seal (25kw)	20160017
68	Cover	20044895
77	Washer	20025753
79	Flame sensor electrode	20043523
92	Silencer	20025760
142	Flange gasket	20157133
144	Flange gasket	20123098
200	Washer	R5023
436	Clip	R10025062
613	Ignition transformer	20001563
625	High limit thermostat	20005585
629	Sealing gasket	20166929
680	Washer	20024869
683	Sealing gasket	20166930
999	Ng conversion kit	20082915
999	LPG conversion kit	20082917



POS.	DESCRIPTION	25a
7	Conveyor (up to serial n. $\leq$ 20162844PR06P004957)	20055453
7	Conveyor (from serial n. $\geq$ 20162844PR06P004958)	20180532
12	Flue drain connection	R10028421
20	Outlet nut	20026049
26	Plug	20026058
67	Drain plug	20000118
75	Flue collector	20026056
370	O-ring	R10023533
487	Washer $\varnothing$ 60	R10026345
552	Washer $\varnothing$ 60	R10028426
637	Flue sensor	20007050





<b>POS.</b>	<b>DESCRIPTION</b>	<b>25a</b>
1	Hydraulic control cable	20017596
2	Low tension cable	20113021
3	Combustion cable	20025736
4	Power wiring harness	20101723

<b>Rev.</b>	<b>data</b>	<b>Descrizione</b>
1.0	19/06/2019	aggiunte guarnizioni tav.4 pos. 629 - 683 – E00120190230: rampe rame tav.3 pos. 7 - 10 E00120190224 : standardizzazione flussostato
2.0	14/10/2019	E001 20190311 : sifone scarico condensa e coll. atmosferico (con gestione matricola)
3.0	14/01/2020	E001 20190311 : corretto codice kit sifone
4.0	14/10/2020	E00120200004: modifica AKL05LCGAR con AKL05NLCGAR
5.0	08/01/2021	E00120200195: modifica sifone
6.0	24/02/2021	E00120190436:modifica degastore
7.0	06/04/2021	E00120210109:modifica sifone




---

Vokera reserve the right to change the specifications without prior notice.  
Consumers' statutory rights are not affected.