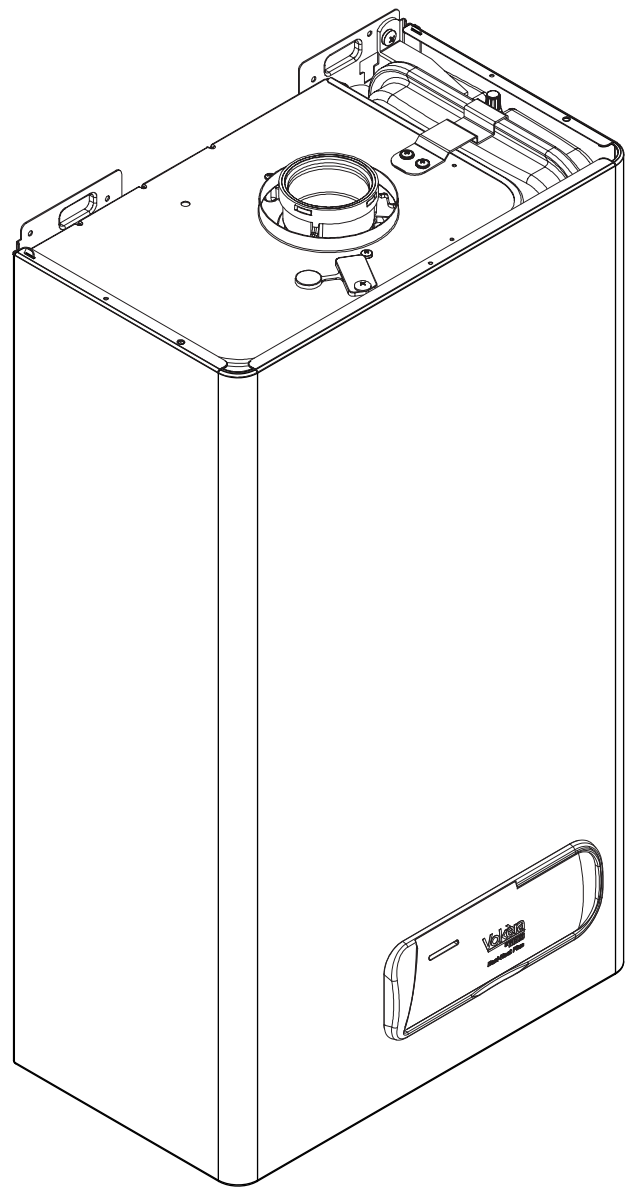
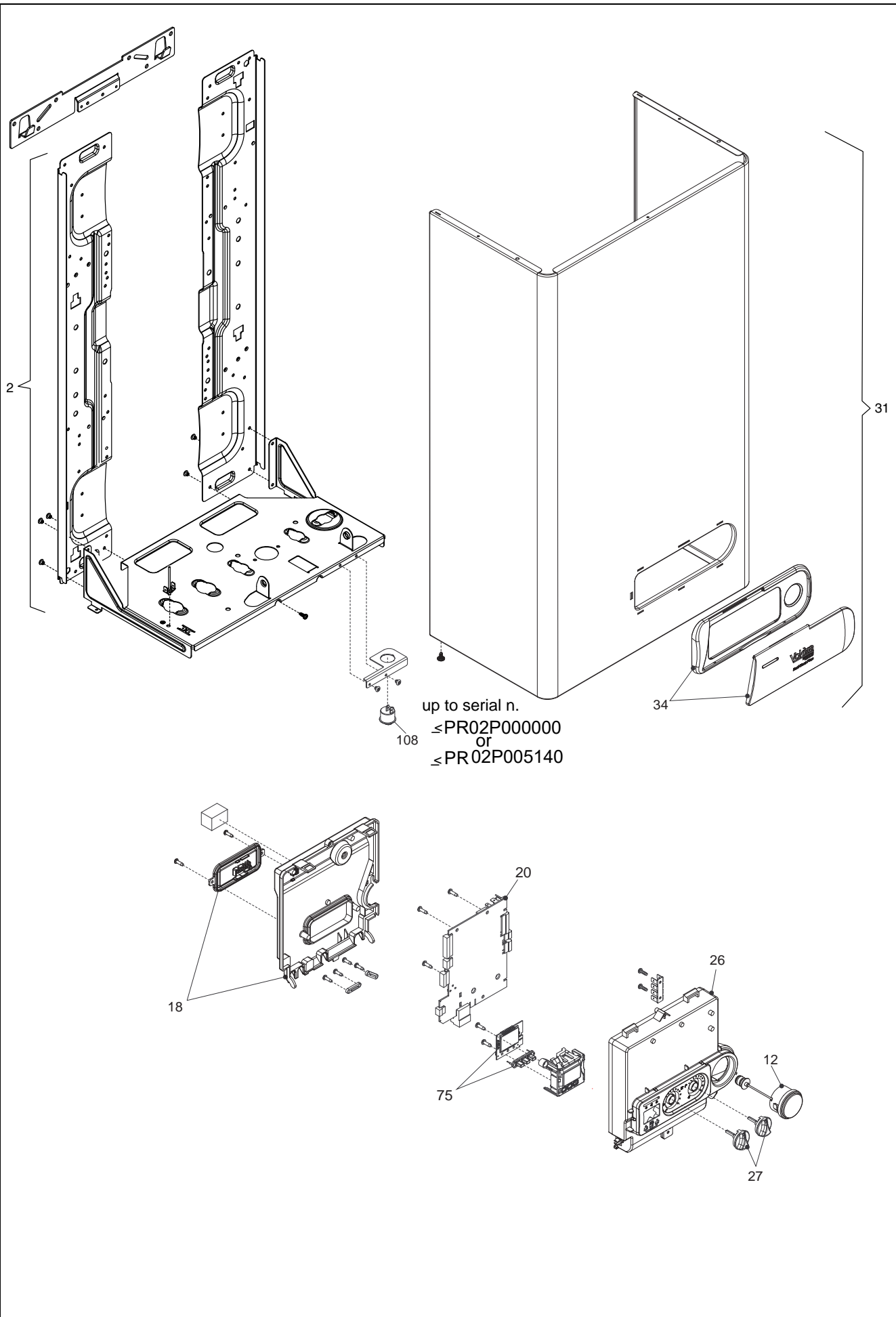


Wall hung boilers

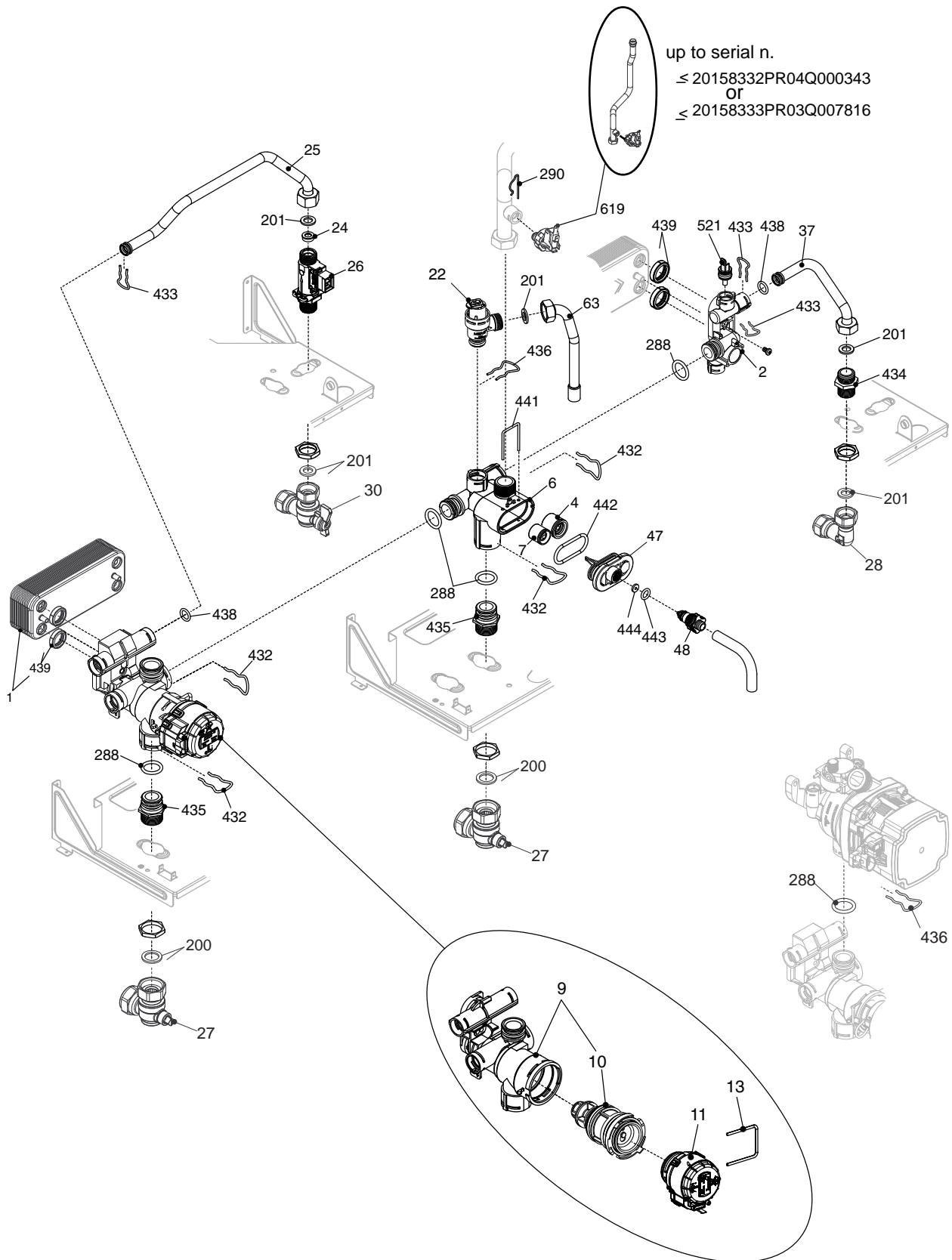
Easi-Heat Plus



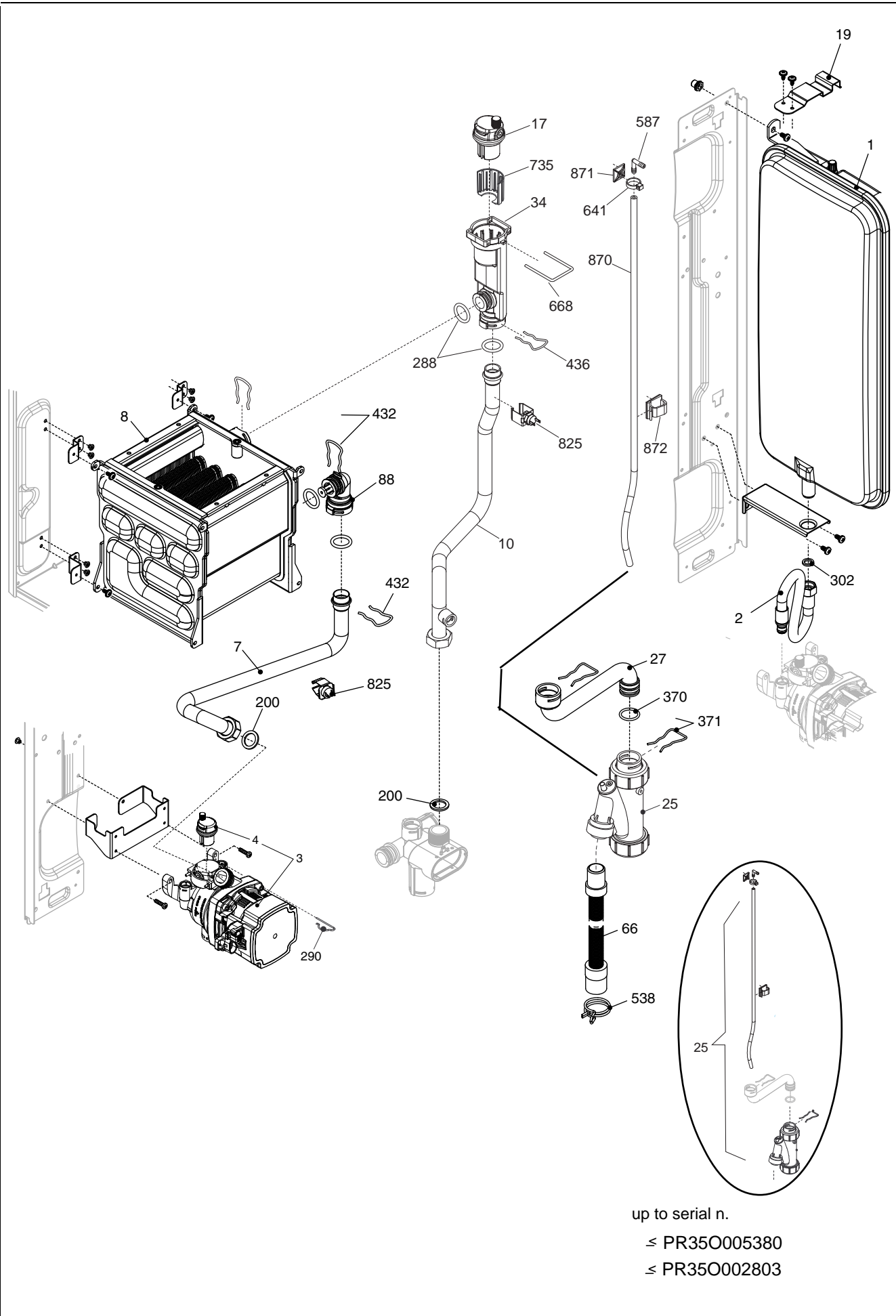
| MODEL | PART NUMBER | |
|---------------------|-------------|----------|
| | MTN | GPL |
| Easi-Heat Plus 25Ci | 20158332 | 20158333 |



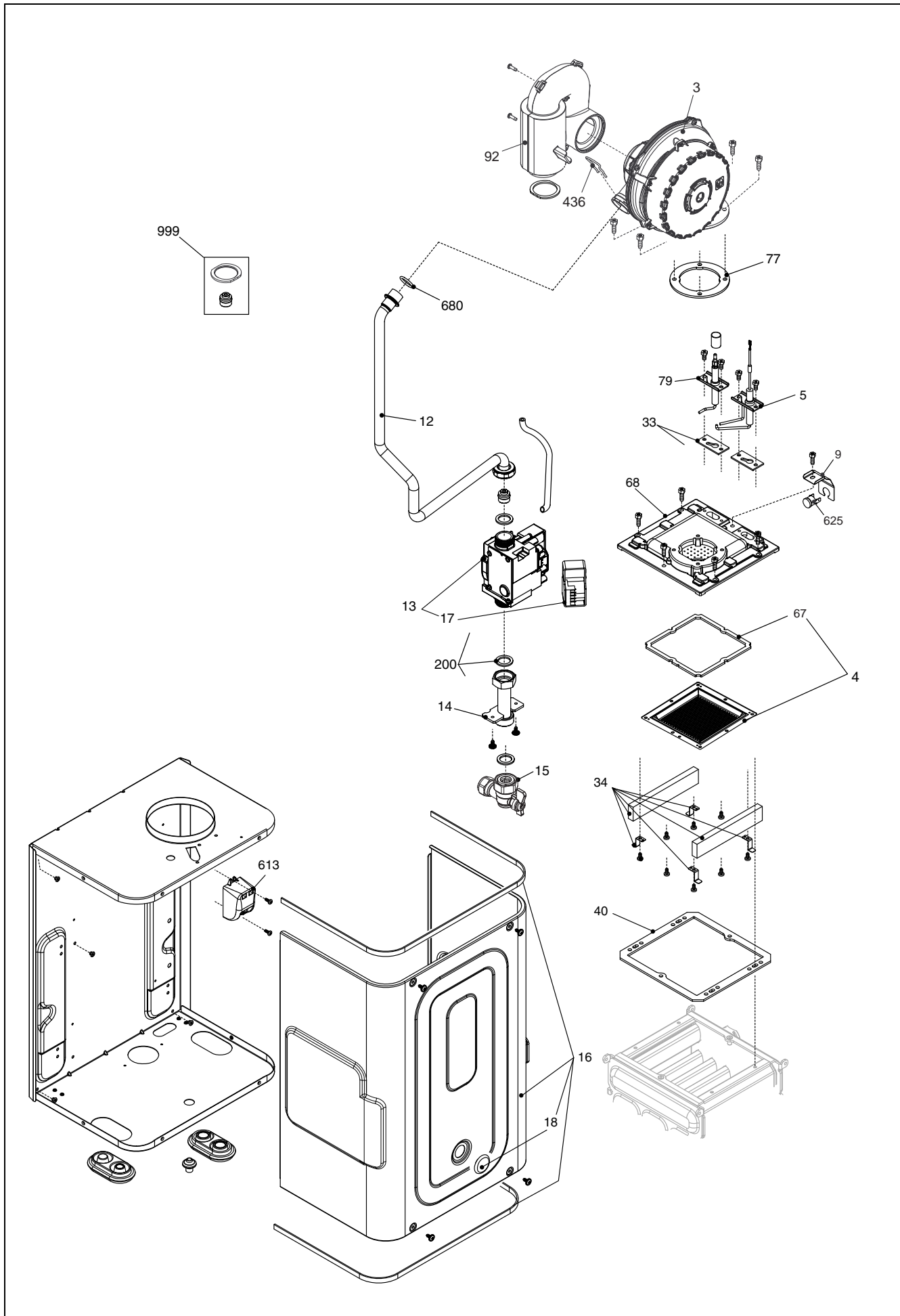
| POS. | DESCRIPTION | 25ci |
|-------------|--|-------------|
| 2 | Frame assembly | 20011411 |
| 12 | Quick primer pressure gauge | 20005580 |
| 18 | Control panel cover | 20026055 |
| 20 | Printed circuit board | 20177589 |
| 26 | Instrumental panel | 20164547 |
| 27 | Control knob | 20014025 |
| 31 | Case Assembly | 20118922 |
| 34 | Fixing flange | 20118921 |
| 75 | Card and keyboard | 20164546 |
| 108 | Switch (up to serial n. 20158332PR2P000000 or 20158333PR02P005040) | R106647 |



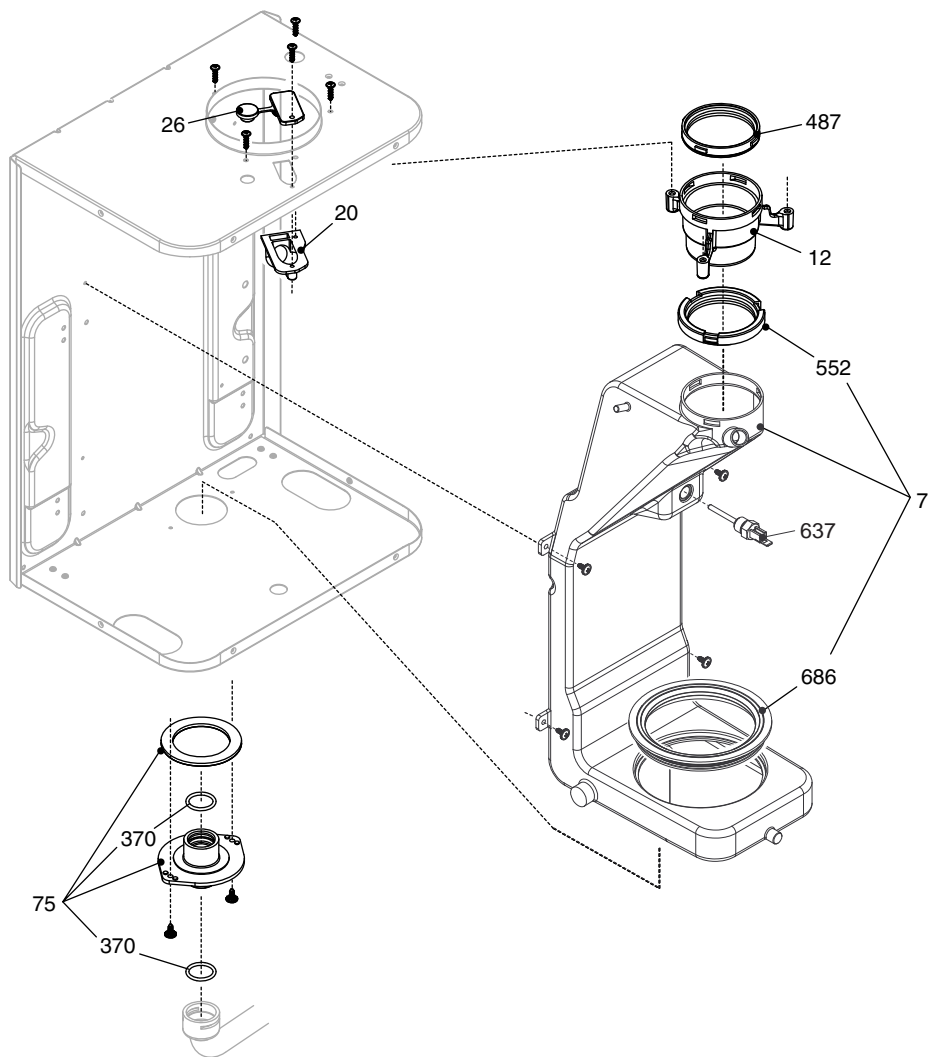
| POS. | DESCRIPTION | 25ci |
|------|---|-----------|
| 1 | Exchanger | R8036 |
| 2 | Connection | R10024640 |
| 4 | Non return valve | R10025056 |
| 6 | By-pass casing | R10024641 |
| 7 | High head by-pass valve | R1552 |
| 9 | 3-way heating manif.+cartridge | 20021496 |
| 10 | Cartridge | 20043594 |
| 11 | Actuator | 20017594 |
| 13 | Clip | 20017598 |
| 22 | Safety valve | 20043820 |
| 24 | Flow governor | R10026043 |
| 25 | Pipe | 20011423 |
| 26 | Dhw actuator | 20069786 |
| 27 | Heat water cock | 20132653 |
| 28 | Angle pipe | 20132654 |
| 30 | Cock | 20164543 |
| 37 | Pipe | R10025840 |
| 47 | Cover for by-pass assembly | 20133375 |
| 48 | Cock | R10024646 |
| 63 | Pipe | 20025755 |
| 200 | Washer | R5023 |
| 201 | Washer | R5026 |
| 288 | O-ring | R6898 |
| 290 | Clip | R2165 |
| 432 | Clip | R10024958 |
| 433 | Clip | R10024986 |
| 434 | Nipple | R10024985 |
| 435 | Fitting/union | R10025059 |
| 436 | Clip | R10025062 |
| 438 | O-ring | R10024988 |
| 439 | Washer | R10025067 |
| 441 | Clip | R10025063 |
| 442 | O-ring | R10025065 |
| 443 | O-ring | R10025064 |
| 444 | Washer | R10025066 |
| 521 | NTC sensor | R10027351 |
| 619 | Pressure switch (up to serial n. \leq PR04Q000344 or PR03Q007816) | 20186918 |
| 619 | Pressure switch (from serial n. \geq PR04Q000344 or PR03Q007817) | 20186917 |



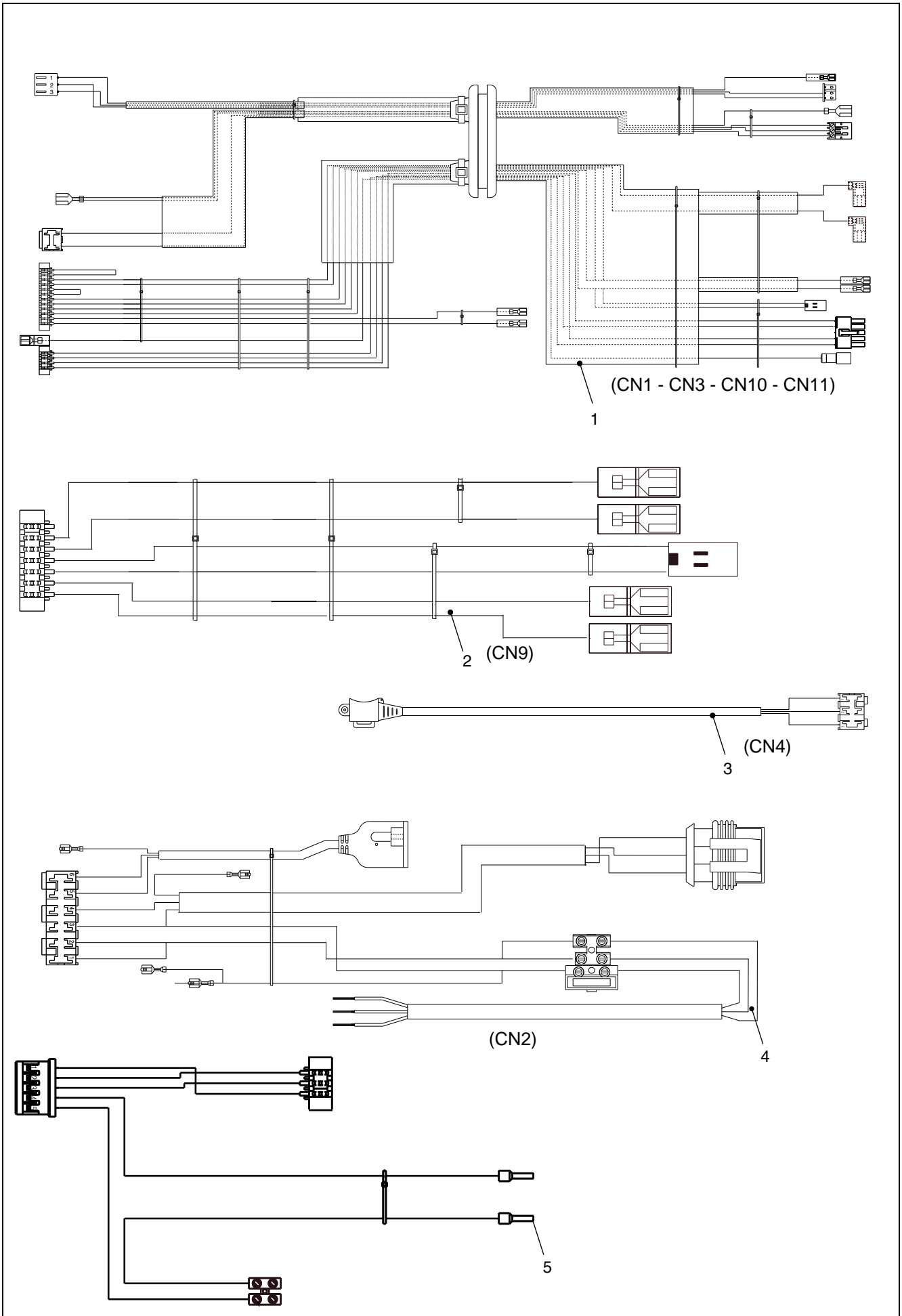
| POS. | DESCRIPTION | 25ci |
|------|--|-----------|
| 1 | 8 lt. expansion vessel | 20138101 |
| 2 | Pipe | R10028603 |
| 3 | 6m. pump | 20136316 |
| 4 | Air vent bottle | R10025485 |
| 7 | Pipe | 20137499 |
| 8 | Condensing exchanger assembly | 20163794 |
| 10 | Pipe | 20186278 |
| 17 | Air vent valve | 20147535 |
| 19 | expansion vessel bracket | 20125261 |
| 25 | Siphon | 20189084 |
| 25 | Drainage pipe + siphon kit (from serial n. PR35O005381 or PR34O002804) | 20169871 |
| 27 | Condensation outlet tube | 20025743 |
| 34 | Hydraulic connection | 20164544 |
| 66 | Flexible pipe | R10027545 |
| 88 | Connection | 20039954 |
| 200 | Washer | R5023 |
| 288 | O-ring | R6898 |
| 290 | Clip | R2165 |
| 302 | Washer | R5025 |
| 370 | O-ring | R10023533 |
| 371 | Clip | R10023532 |
| 432 | Clip | R10024958 |
| 436 | Clip | R10025062 |
| 538 | Hose clamp | 20152306 |
| 587 | Connection (from serial n. PR35O005381 or PR34O002804) | R10030382 |
| 668 | Clip | 20019767 |
| 735 | Water filter | 20165861 |
| 825 | NTC Detector | 20078350 |
| 870 | Silicone tube (from serial n. PR35O005381 or PR34O002804) | 20169891 |



| POS. | DESCRIPTION | 25ci |
|------|------------------------------|-----------|
| 3 | Integrated fan | 20081316 |
| 4 | Burner | 20044892 |
| 5 | Spark ignition electrode | 20025737 |
| 9 | Clip | 20093799 |
| 12 | Pipe | 20025745 |
| 13 | Gas valve | 20039202 |
| 14 | Gas pipe | 20005553 |
| 15 | Heating cock | 20132650 |
| 16 | Combustion chamber cover | 20127346 |
| 17 | Gas valve solenoid | 20040675 |
| 33 | Electrode seal | 20025740 |
| 34 | Protection | 20044890 |
| 40 | Heat exchanger gasket (25kw) | 20160018 |
| 67 | Burner seal (25kw) | 20160017 |
| 68 | Cover | 20044895 |
| 77 | Washer | 20025753 |
| 79 | Flame sensor electrode | 20043523 |
| 92 | Silencer | 20025760 |
| 200 | Washer | R5023 |
| 436 | Clip | R10025062 |
| 613 | Ignition transformer | 20001563 |
| 625 | High limit thermostat | 20005585 |
| 680 | Washer | 20024869 |
| 999 | Ng conversion kit | 20082915 |
| 999 | LPG conversion kit | 20082917 |



| POS. | DESCRIPTION | 25ci |
|------|-----------------------|-----------|
| 7 | Conveyor | 20026060 |
| 12 | Flue drain connection | R10028421 |
| 20 | Outlet nut | 20026049 |
| 26 | Plug | 20026058 |
| 75 | Flue clector | 20026056 |
| 370 | O-ring | R10023533 |
| 487 | Washer Ø 60 | R10026345 |
| 552 | Washer Ø 60 | R10028426 |
| 637 | Flue sensor | 20007050 |
| 686 | Washer | 20026059 |



| POS. | DESCRIPTION | 25ci |
|------|--|----------|
| 1 | Combustion cable | 20025736 |
| 2 | Low tension cable | 20113021 |
| 3 | Hydraulic control cable | 20017596 |
| 4 | Power wiring harness | 20096531 |
| 5 | Wiring harness (up to serial n. 20158332PR2P000000 or 20158333PR02P005140) | 20057332 |
| 5 | PCB cable (from serial n. 20158332PR02P00001 or 20158333PR02P005141) | 20165857 |

| Rev. | Data | Descrizione |
|------|------------|--|
| 1.0 | 30/04/2019 | E00120190195 : Interruttore ingresso TA , cablaggio scheda , filtro acqua degasatore E00120190224 : standardizzazione flussostato E00120190217 : Copertura posteriore e coperchietto ispezione |
| 2.0 | 06/09/2019 | E001 20190311 : sifone scarico condensa e coll. atmosferico (con gestione matricola) |
| 3.0 | 25/03/2020 | E001 20190542 : modifica cablaggio e pulsante (con gestione matricola) |
| 4.0 | 09/10/2020 | E00120190559: modifica AKL03GAR con AKL03NGAR |
| 5.0 | 05/11/2020 | E00120200195: modifica sifone |
| 6.0 | 29/01/2021 | E00120200424 (+ 397) : modifica pressostato + rampa |
| 7.0 | 19/02/2021 | E00120210045: raccordo idraulico |
| 8.0 | 06/04/2021 | E00120210109: modifica sifone |



Vokera reserve the right to change the specifications without prior notice.
Consumers' statutory rights are not affected.