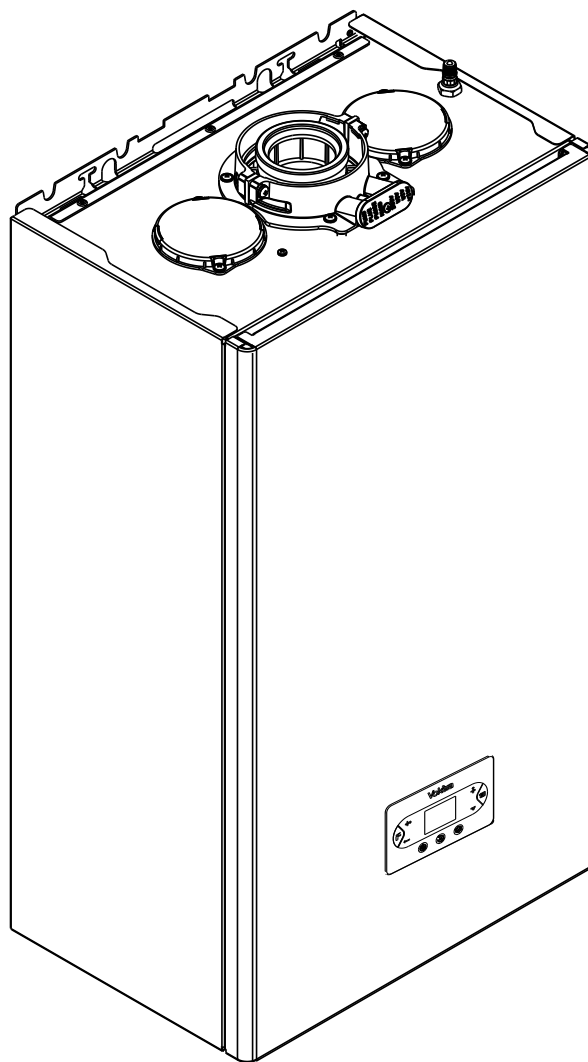
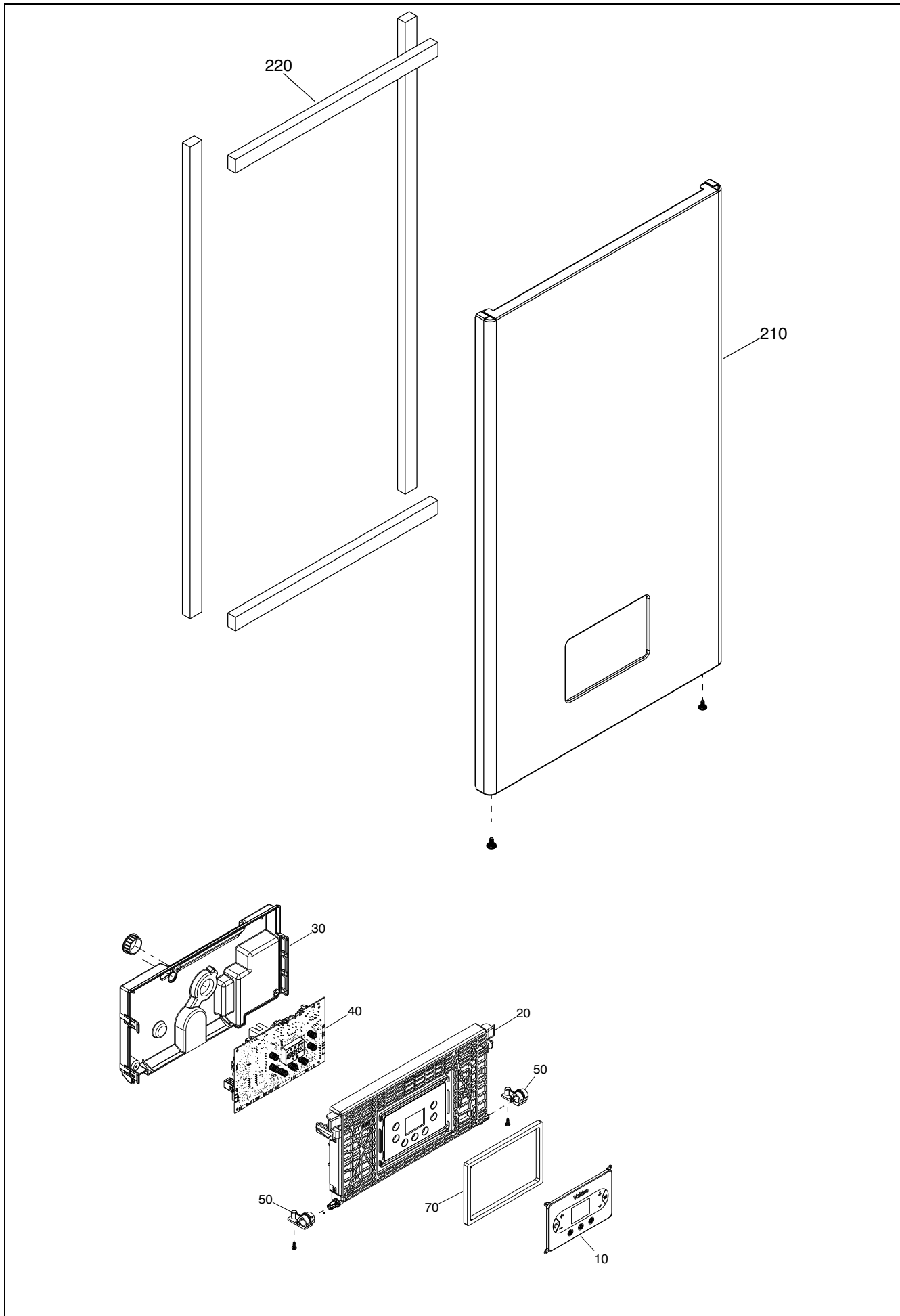


**Wall hung boilers**

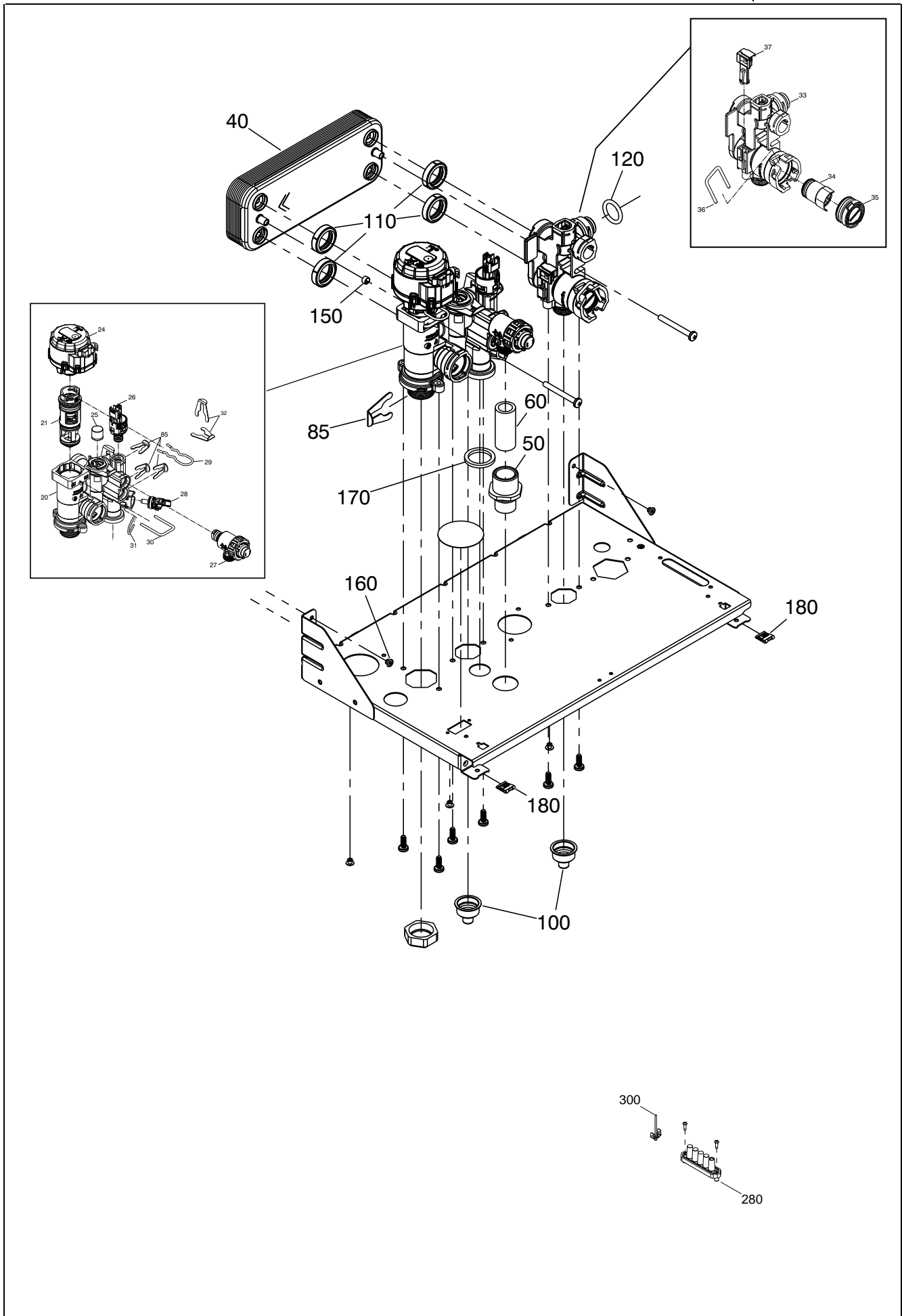
**EXCEL-i 30C**



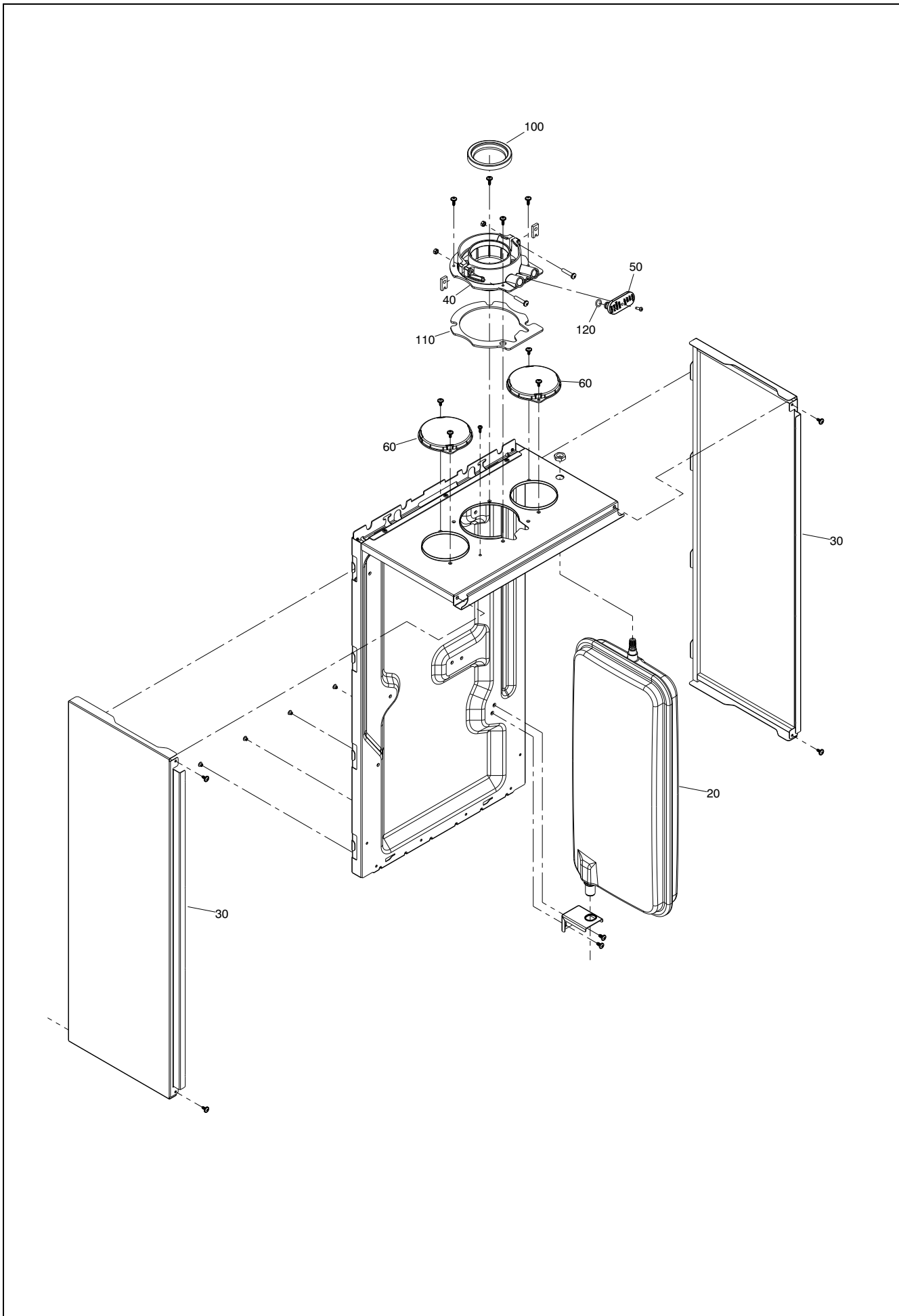
MODEL	PART NUMBER	
	MTN	GPL
Excel - i 30C	20188734	-



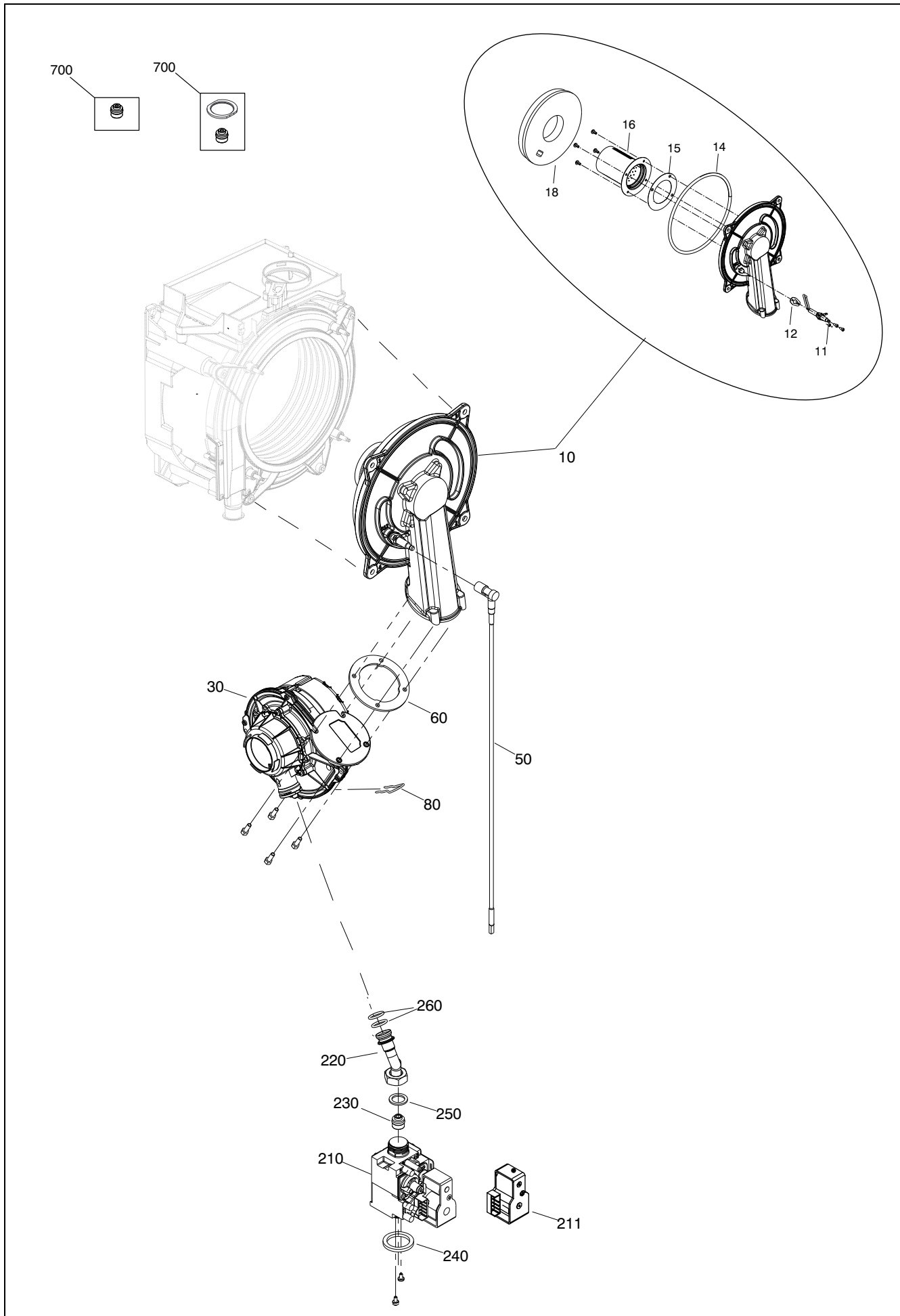
POS.	DESCRIPTION	30C
10	Interface	20194395
20	Control panel	20193324
30	Electric parts cover	20188467
40	Printed circuit board	20188484
50	Hinge	20193327
70	Washer	20192061
210	Case Assembly	20193822
220	Seal assembly	20193008



POS.	DESCRIPTION	30C
20	Hydraulic connection	20193766
21	Cartridge	20188990
24	Actuator	20188985
25	By-pass valve	20188991
26	Pressure transducer	20188992
27	Safety valve	20188993
28	Temperature detector	20188994
29	Clip	20189049
30	Clip	20189051
31	Clip	20189052
32	Clip	20189064
33	Modulator	20188595
34	Cartridge	20188598
35	Hole cover	20188600
36	Clip	20188603
37	Printed circuit board	20180877
40	Heat exchanger	20188747
50	Manifold	20135943
60	Silicon pipe	20188749
85	Clip	20145853
90	Clip	20145853
110	Washer	R10025067
120	Washer	20188460
150	Spacer	20193330
170	Washer	20193339
180	Clip	R5128
280	Five positions fairlead	20123125
300	Ground rivet	20154023



POS.	DESCRIPTION	30C
20	Expansion tank	20193328
30	Panel	20193831
40	Fumes flange	20193009
50	Cap smoke analysis	20089999
60	Hole cover	20005586
100	Gasket fan	20193768
110	Flange gasket	20193329
120	O-ring	R10026494

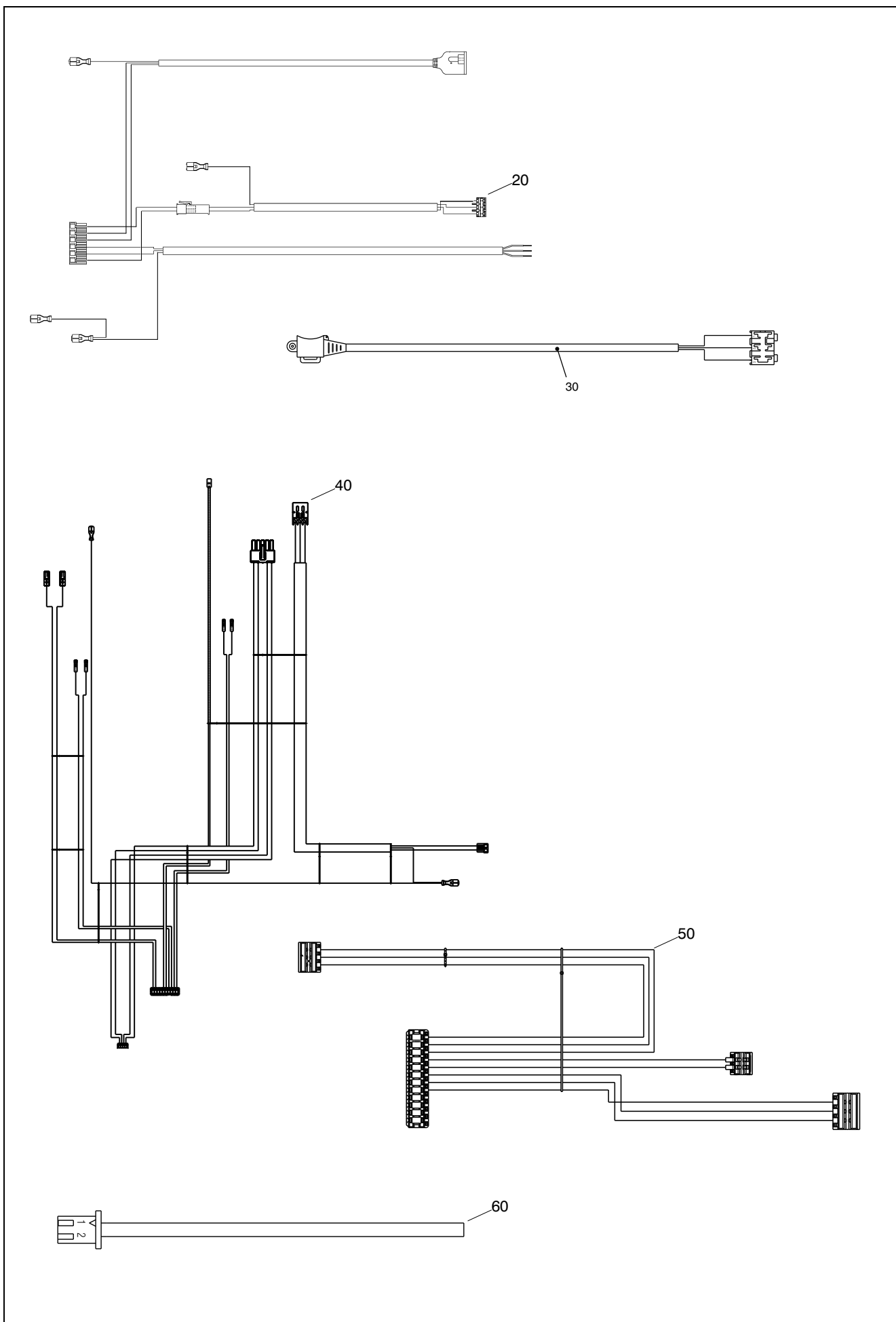




POS.	DESCRIPTION	30C
10	Conveyor	20188870
11	Ignition electrode	20135946
12	Electrode seal	20157191
14	Insulation panel	20188496
15	Burner seal	20188498
16	Premix burner	20188871
18	Burner seal	20188500
30	Fan	20188753
40	Spark electrode cable	20193346
60	Washer	R10026796
80	Clip	R10025062
210	Gas valve	20039202
211	Gas valve solenoid	20040675
220	Pipe	20193344
230	Gas diaphragm 4.8	R10025461
240	Gasket	20123159
250	Washer	R5023
260	Washer	20024869
700	LPG conversion kit	20007958
700	G230 Conversion kit	20192674
700	G27 conversion kit	20184077
700	G2.350 conversion kit	20184079
700	Ng conversion kit	20188226



POS.	DESCRIPTION	30C
10	Pipe	20193343
20	Pipe	20193331
30	Tube kit	20161501
40	Silicone pipe	20188486
50	Condensing pipe	20193340
60	Bracket	20188463
70	Condensation outlet (drainage) manifold	20188501
80	Non return valve	20188456
90	Siphon	20188455
100	High limit thermostat	20005585
110	Temperature detector	20188488
120	Pipe	20188465
130	Clip	R5472
140	Clip	20188462
160	Clip	R10023532
170	Clip	R2222
200	O ring	20000131
210	O ring	20182412
220	O ring	R10026324
230	O ring	20152424
240	Washer	R9732
250	O-Ring	20140935
260	Washer	20188453
270	Washer	R5025
310	Condensing exchanger	20193345
320	Rain coat for exchanger	20135930
350	Flue sensor	20135782
360	Spring pipe	20000130
380	Washer Ø 60	R10028426
410	Pump 6 mt.	20188458
411	Air vent bottle	20169571
412	Motor	20193984
430	connector	20188459
440	Cover	20180465
460	Washer	20188460
470	Washer	20188481
480	Clip	20188461
520	Pipe	R10025058
530	Condensation outlet tube	20100816
999	Retarder insulating panel	20159693



POS.	DESCRIPTION	30C
20	Power wiring harness	20188469
30	Hydraulic control cable	20194007
40	Combustion cable	20188470
50	Low tension cable	20188475
60	Wiring harness	20188472

Rev	Data	Descrizione



---

Vokera reserve the right to change the specifications without prior notice.  
Consumers' statutory rights are not affected.