

# CONDEXA HPR



Wall-hung gas condensing modules

A Carrier Company

**RIELLO**  
Energy For Life

[www.riello.com](http://www.riello.com)

## CONDEXA HPR

CONDEXA HPR IS RIELLO'S NEW MODULAR WALL-HUNG SOLUTION, IDEAL FOR THE REPLACEMENT OF OLD GENERATORS IN SMALL-SIZED BOILER ROOMS.

Thanks both to the **compactness** and the **reduced weight**, CONDEXA HPR is the ideal answer in all those environment where space is a critical factor for the choice of the generator. The range consists of **4 condensing models from 35 up to 70 kW, with the possibility of both stand alone and cascade installation up to 4 thermal modules with FRONT or BACK-TO-BACK configuration, reaching up to 280 kW.** Range suitable both for **indoor and partially**

**cover place (IPX5D)** as well as being equipped with **low consumption modulating circulators as standard.**

To support the designer in identifying the best solution, Riello has developed a **configuration software** to support the selection process of accessories specifically developed for this system.

### THE RANGE

CONDEXA HPR is available in 4 selected chamber models:

- CONDEXA HPR 35
- CONDEXA HPR 45
- CONDEXA HPR 55
- CONDEXA HPR 70



FOR A SUSTAINABLE FUTURE

The CONDEXA HPR range is designed to operate with mixtures of natural gas and hydrogen, up to a maximum of 20%: a first important step towards the objectives of environmental sustainability and in the decarbonisation process initiated by the European Union.



STAINLESS STEEL HEAT EXCHANGER



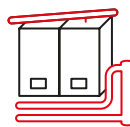
ENERGY SAVING



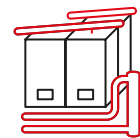
WIDE RANGE OF ACCESSORIES



STAND ALONE CONFIGURATION



FRONT CASCADE CONFIGURATION

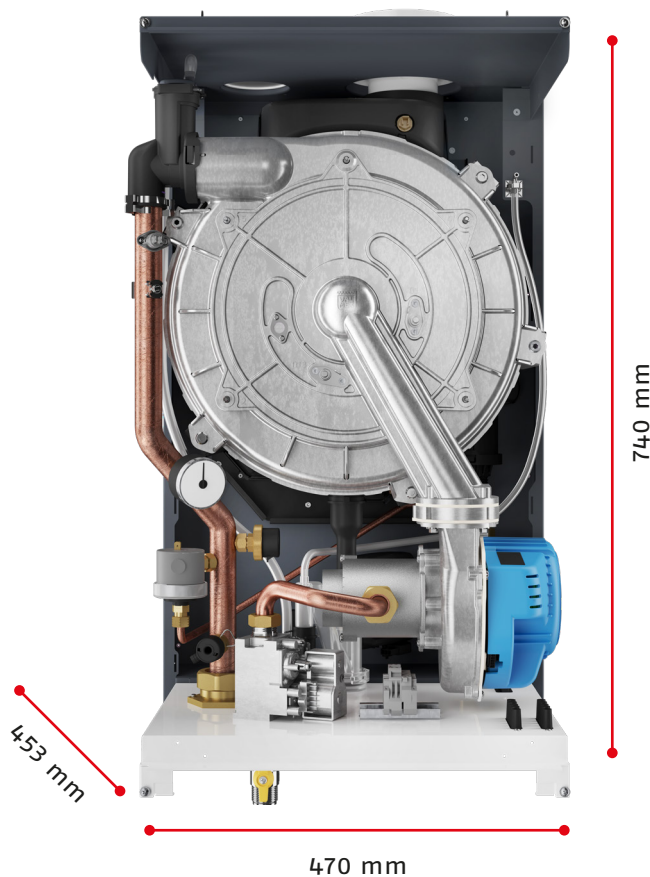
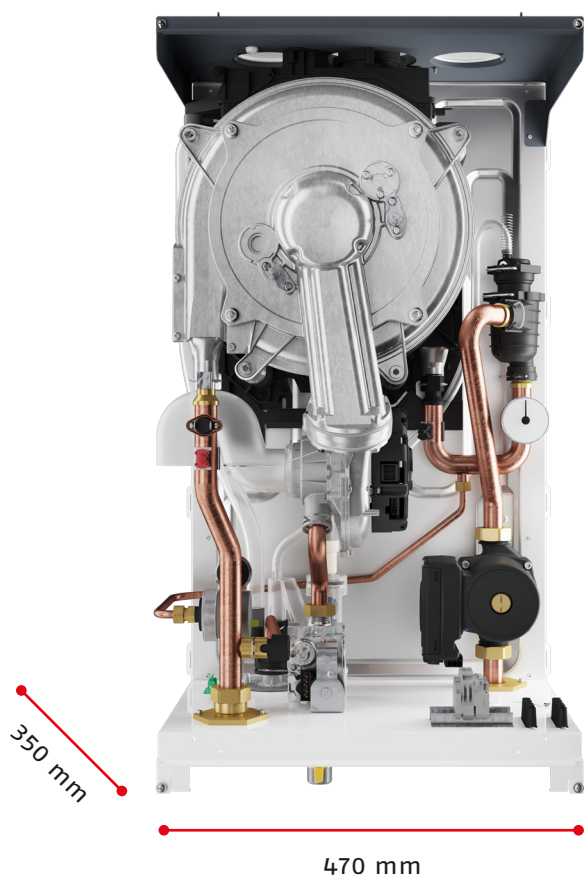


BACK-TO-BACK CASCADE CONFIGURATION

**COMPACT MODULARITY**

**35 ÷ 45 kW**

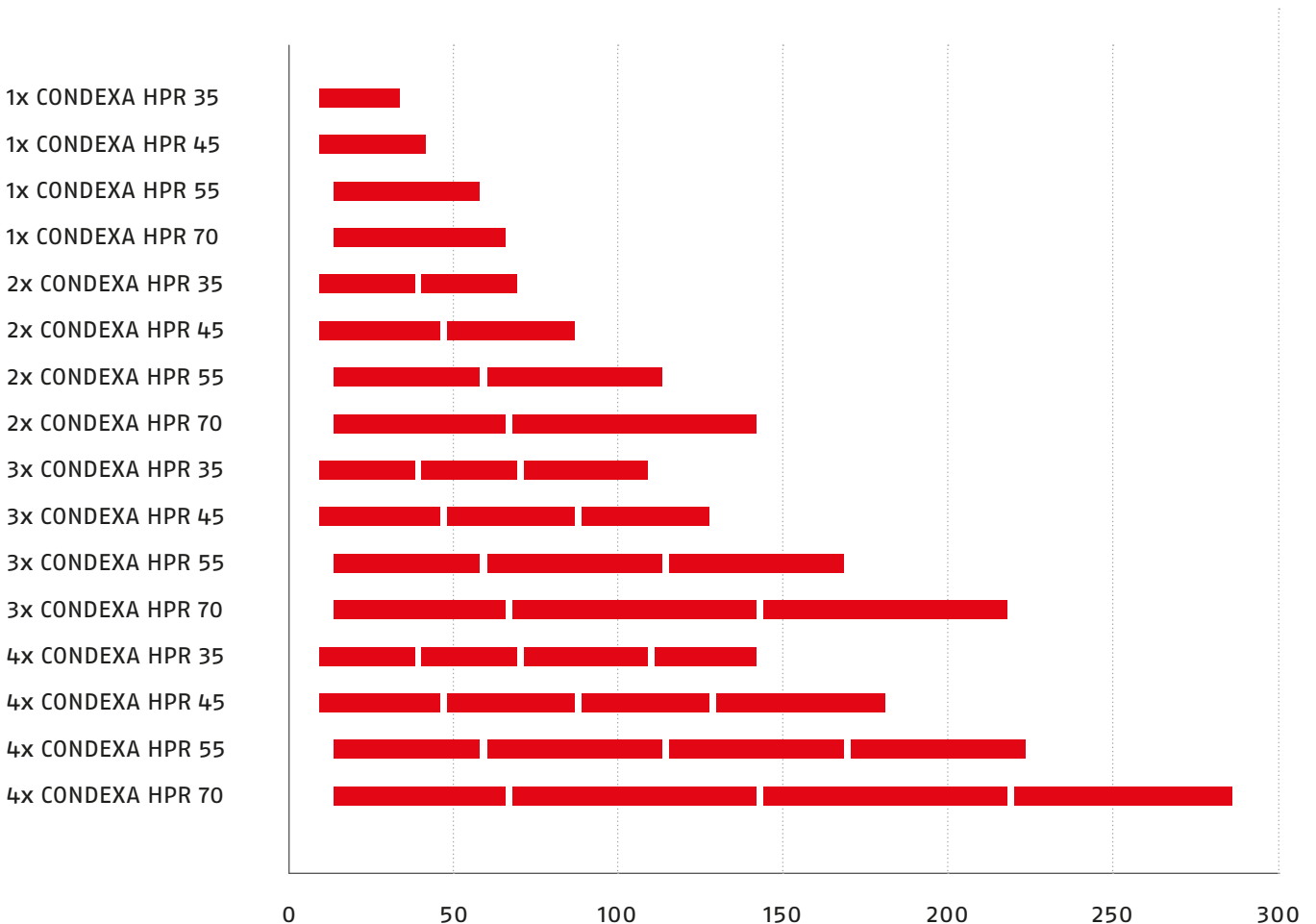
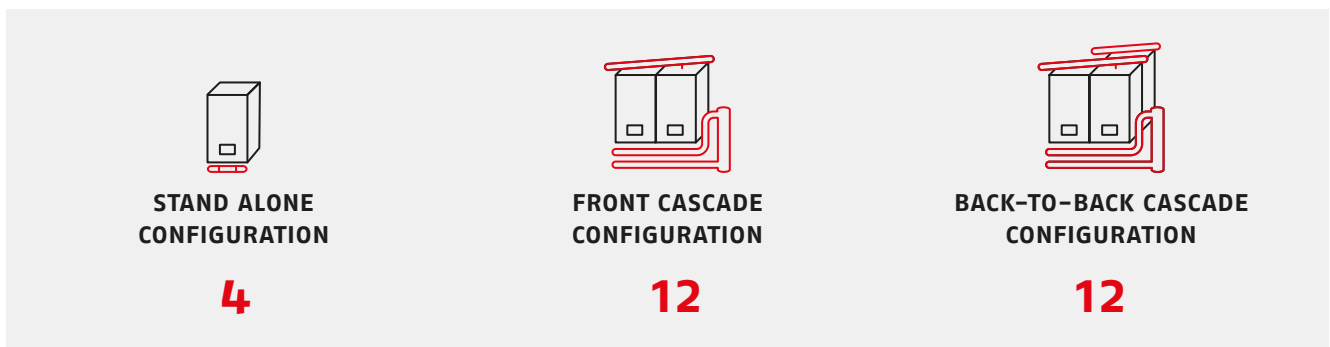
**55 ÷ 70 kW**



- **Sealed chamber configuration** as standard
- **Premixed burner with low polluting emissions**
- New **stainless steel heat exchanger** with low water content
- **Low consumption hydraulic circulator** as standard on all models
- **Compact and lightweight structure**
- Complete **front accessibility** for maintenance operations

## 4 MODELS FOR 28 SOLUTIONS

WITH CONDEXA HPR, RIELLO EXPANDS THE WALL-HUNG OFFER IN THE PROFESSIONAL SEGMENT, INTRODUCING A RANGE THAT IS ABLE TO ENSURE INSTALLATION FLEXIBILITY, MAXIMIZING THE COMPACTNESS OF THE SYSTEM. WITH A RANGE OF 4 MODELS, 28 CONFIGURATIVE SOLUTIONS CAN BE REALIZED, TO MEET THE MOST VARIOUS SPACE REQUIREMENTS OF THE TECHNICAL ROOM.



## TECHNICAL FEATURES

### STAND ALONE CONFIGURATION



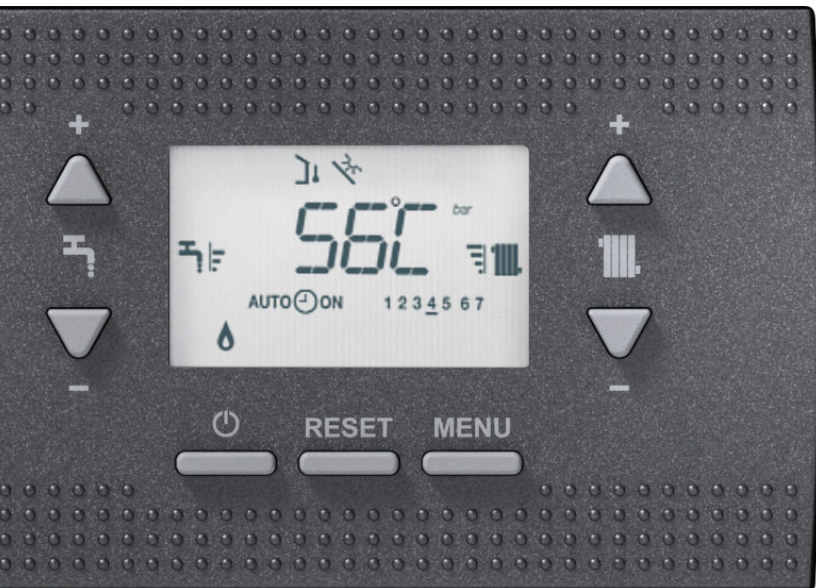
- Heating only
- Clapet as standard
- Modulation ratio up to 1:8
- IPX5D protection degree as standard
- Concentric discharge as standard
- Up to 3 zones management by means of specific accessories

### CASCADE CONFIGURATION



- FRONT or BACK-TO-BACK installation
- Modulation ratio up to 1:32
- System height <2 meters in all configurations
- Possibility of combining either with hydraulic separator or with plate heat exchanger for the separation between primary and secondary circuit
- Wide range of accessories, both hydraulic and flue gas exhaust

## ELECTRONIC CONTROL AND DISPLAY



INTUITIVE

SIMPLE

IMMEDIATE

### BOILER CONTROL

- **Simple and intuitive** backlit LCD display which shows the main operating information
- **Ease of setting** thanks to the keys with symbols dedicated to the individual user functions
- **Clock function weekly programmer** integrated into the display



DHW temperature setting



Central heating water T setting



**Operation status**  
OFF – SUMMER – WINTER



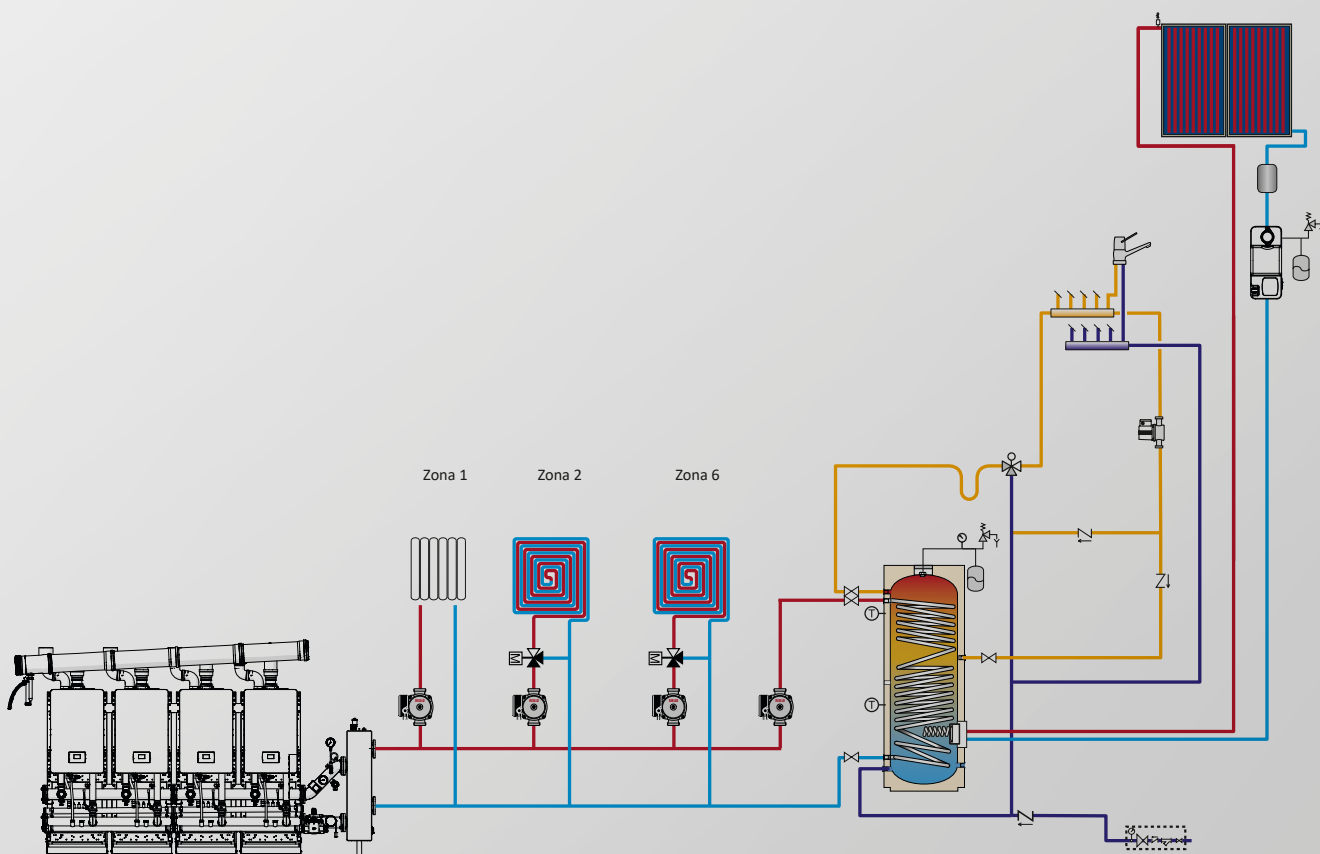
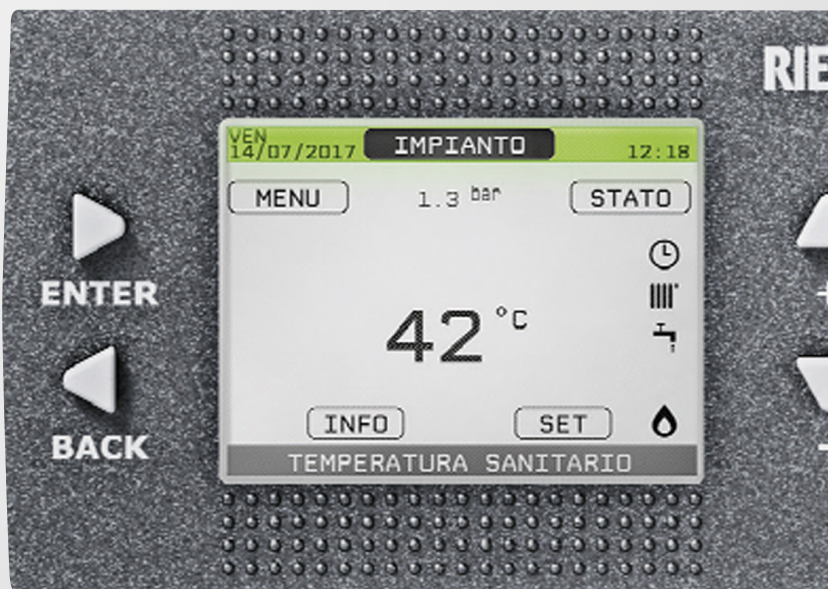
**Unlock and reset**  
alarms



Information **menù**  
and parameters

# SYSTEM REMOTE CONTROL WITH CONDEXA HPR IN CASCADE

- Possibility to **manage, view** and **parametrize the entire** heating system
- Management of **up to 4 boilers in cascade** with different operating modes
- Display of **the operating status** of the system and of the **individual generators** of the system
- Management of **up to 6 direct / mixed zones and DHW production** with an external cylinder
- Possibility to **manage a solar thermal**



## ACCESSORIES

---

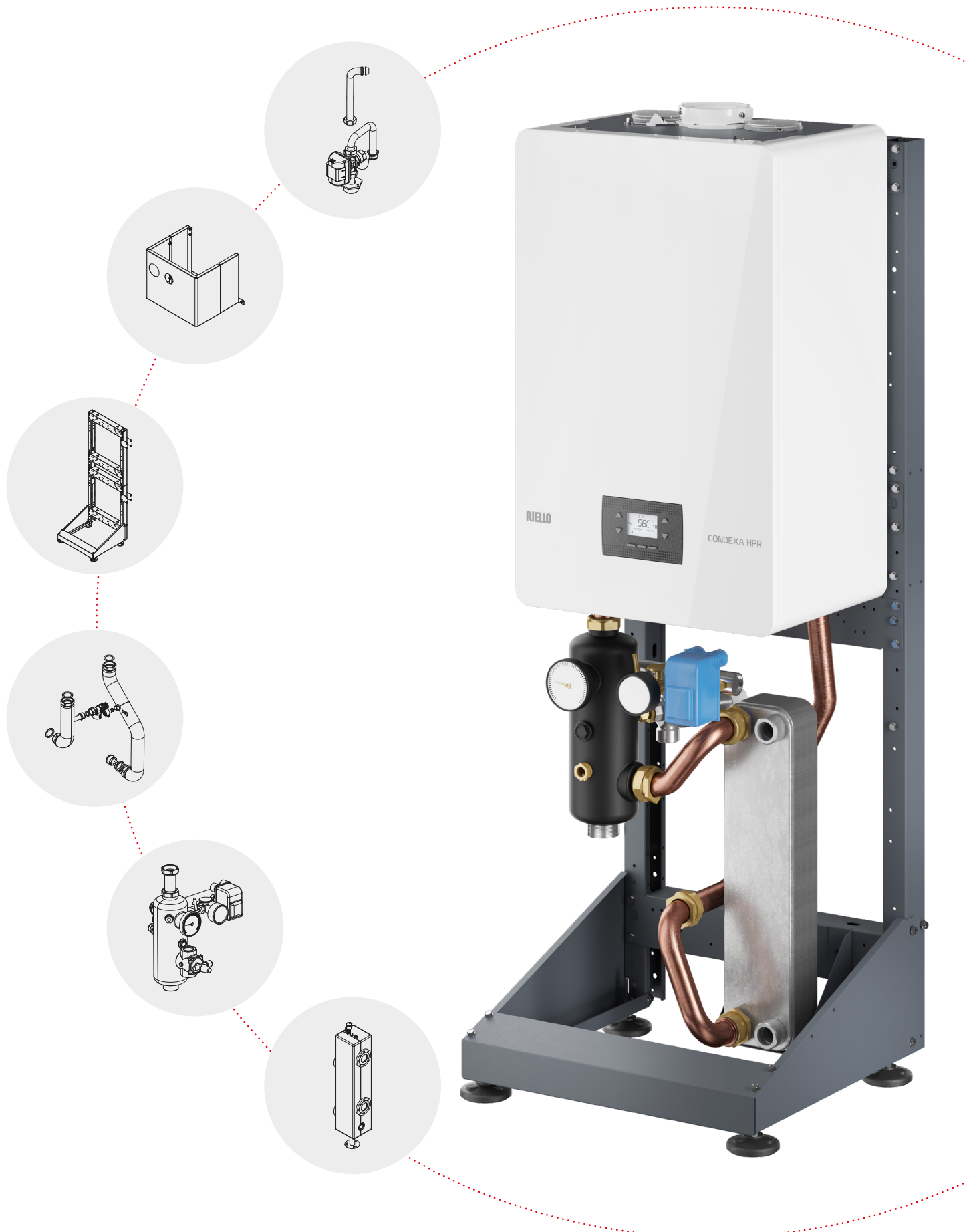
CONDEXA HPR IS COMPLETED WITH A WIDE RANGE OF ACCESSORIES ABLE TO ADAPT TO THE NEEDS FOR EACH TYPE OF SYSTEM. THE ACCESSORIES HAVE BEEN SPECIALLY DESIGNED TO MAXIMIZE THE FLEXIBILITY OF THE SYSTEM AND TO OBTAIN THE IDEAL SOLUTION FOR EVERY INSTALLATION REQUIREMENT, BOTH IN STAND ALONE AND IN CASCADE INSTALLATION.

---

- A safety kit is also available for all models, which is completed with specific shut-off and safety valves, both to be selected according to the boiler model
- Possibility of installation either with hydraulic separator or plate heat exchanger both in single installation and in cascade thanks to the specifically designed accessories
- Flue collectors, hydraulic manifolds and ramps specifically designed for cascade installation in in-line or back-to-back configuration
- A series of useful accessory kits are also available for managing the heating zones, which allow the management of up to 6 direct or mixed zones when combined with the use of the remote control.

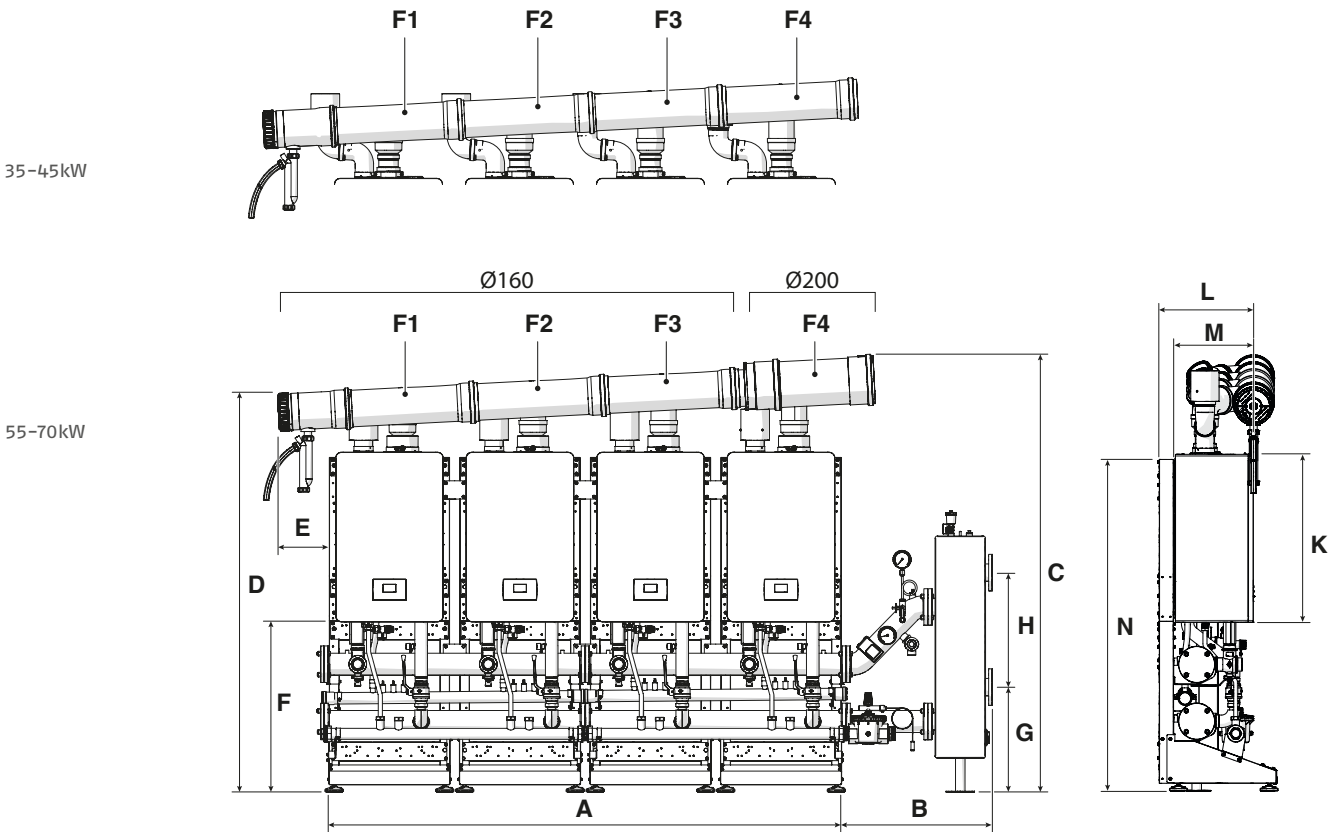






# DRAWINGS AND TECHNICAL DATA

## TECHNICAL DRAWINGS



DESCRIPTION	U.M.	A	B	C	D	E	F	G	H	K	L	M	N	F1	F2	F3	F4
CONDEXA HPR 35	mm	2240	658	1921	1777	285	743	457	500	740	423	351	1483	Ø 160	Ø 160	Ø 160	Ø 160
CONDEXA HPR 45	mm	2240	658	1921	1777	285	743	457	500	740	423	351	1483	Ø 160	Ø 160	Ø 160	Ø 160
CONDEXA HPR 55	mm	2240	658	1892	1740	226	743	457	500	740	383	312	1481	Ø 160	Ø 160	Ø 160	Ø 200
CONDEXA HPR 70	mm	2240	658	1892	1740	226	743	457	500	740	383	312	1481	Ø 160	Ø 160	Ø 160	Ø 200

DESCRIPTION	U.M.	CONDEXA HPR 35	CONDEXA HPR 45	CONDEXA HPR 55	CONDEXA HPR 70
Appliance type		Wall-hung indoor installation	Wall-hung indoor installation	Wall-hung indoor installation	Wall-hung indoor installation
Device category		II 2H3P appliance	II 2H3P appliance	II 2H3P appliance	II 2H3P appliance
Combustion chamber		Only heating sealed condensing with forced draught	Only heating sealed condensing with forced draught	Only heating sealed condensing with forced draught	Only heating sealed condensing with forced draught
Maximum rated heat input (LHV)	kW	34,9	45	55	70
Minimum rated heat input (LHV)	kW	5,2	5,2	8,2	8,2
Maximum useful heat output (80-60°C)	kW	33,99	43,88	53,60	68,20
Maximum useful heat output (50-30°C)	kW	37,31	47,30	58,25	74,19
Minimum useful heat output (80-60°C)	kW	4,98	4,98	7,87	7,87
Minimum useful heat output (50-30°C)	kW	5,57	5,57	8,78	8,78
Combustion efficiency	%	97,60	97,70	97,60	97,60
Efficiency with nominal heat output (80-60°C)	%	97,40	97,50	97,50	97,50
Efficiency with minimum heat output (80-60°C)	%	95,80	95,80	96,00	96,00
Efficiency with nominal heat output (50-30°C)	%	106,90	105,10	105,90	106,00
Efficiency with minimum heat output (50-30°C)	%	107,20	107,20	107,00	107,00
Useful efficiency at max. rated output (30° return)	%	108,20	107,90	107,60	107,50
Seasonal energy efficiency in room heating mode s	%	93,0	92,0	92,0	92,0
Efficiency class in heating mode	kW	A	A	A	A
Maximum operating pressure	bar	5	5	5	5
Minimum operating pressure	bar	0,8	0,8	0,8	0,8
Safety thermostat intervention temperature	°C	102 (±3)	102 (±3)	102 (±3)	102 (±3)
Max. allowed temperature	°C	90	90	90	90
Adjustment temperature (min / max)	°C	20 ÷ 90	20 ÷ 90	20 ÷ 90	20 ÷ 90
Useful head available (@1000 l/h)	mbar	820	820	430	430
Boiler residual head	Pa	166	198	180	200
NOx emissions	mg/kWh	30,0	33,0	41,0	48,0
NOx class		6	6	6	6
Emissions at max / min flow rate	CO <sub>2</sub> %	9,0	9,0	9,0	9,0
	CO ppm	120/30	150/30	170/40	220/40
Chimney losses with burner off/on	%	0,06/2,38	0,05/2,35	0,04/2,41	0,03/2,44
Flue mass flow rate	g/s	15,855-2,362	20,443-2,362	24,986-3,725	31,800-3,725
Noise levels (sound pressure)	dB(A)	57,0	60,0	57,0	61,0
Electrical power supply	V-Hz	230/50	230/50	230/50	230/50
Electrical protection level	IP	X5D	X5D	X5D	X5D
Total electrical power	W	158	175	201	284
Dimensions (H×W×D)	mm	740 x 470 x 350	740 x 470 x 350	740 x 470 x 453	740 x 470 x 453
Net weight	kg	35	35	53,5	53,5

# RIELLO

Riello S.p.A.  
Via Ing. Pilade Riello, 7  
37045 Legnago (VR) – Italy  
tel. +39 0442 630111



CONDEXA HPR



In order to improve its products, RIELLO reserves the right to modify the characteristics, data and information contained in this guide at any time and without prior notice. This guide, therefore, cannot be considered as contractually binding on third parties.