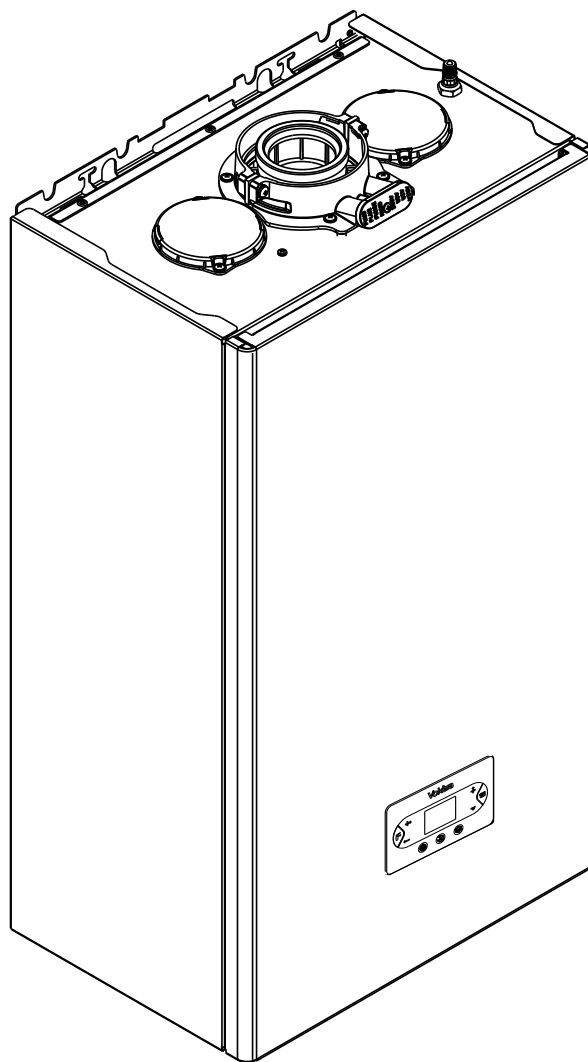
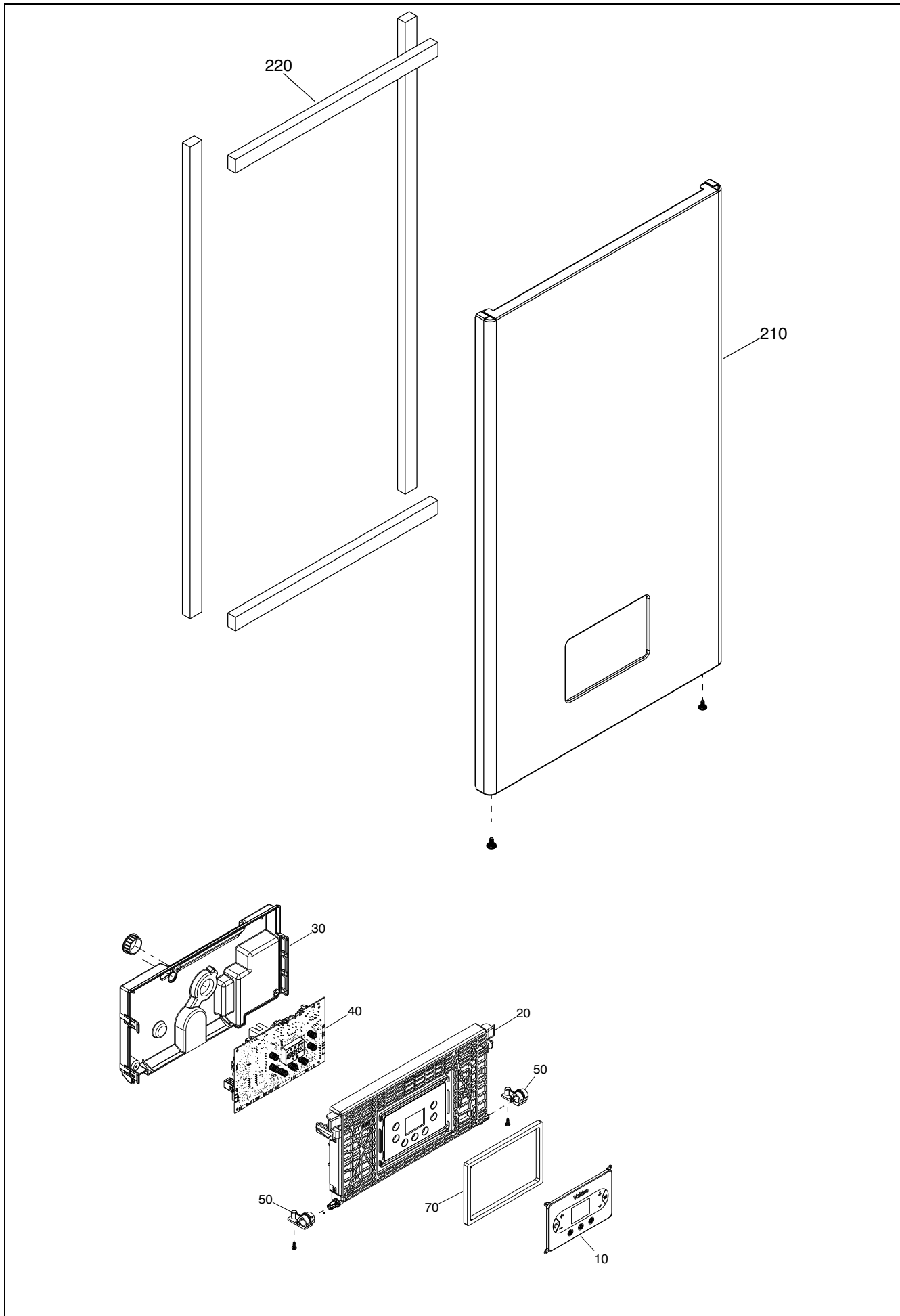


Wall hung boilers

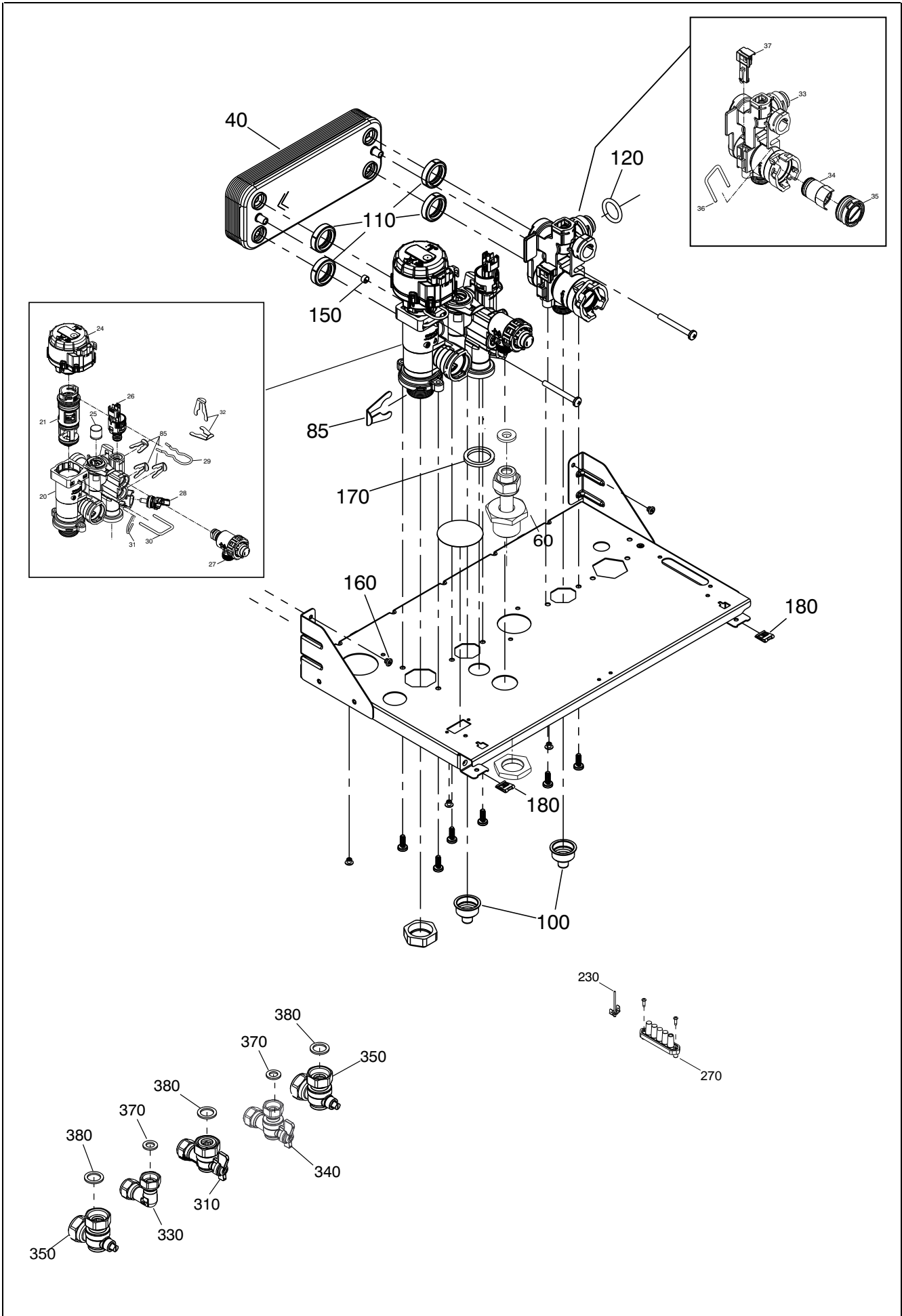
EXCEL-i 25C



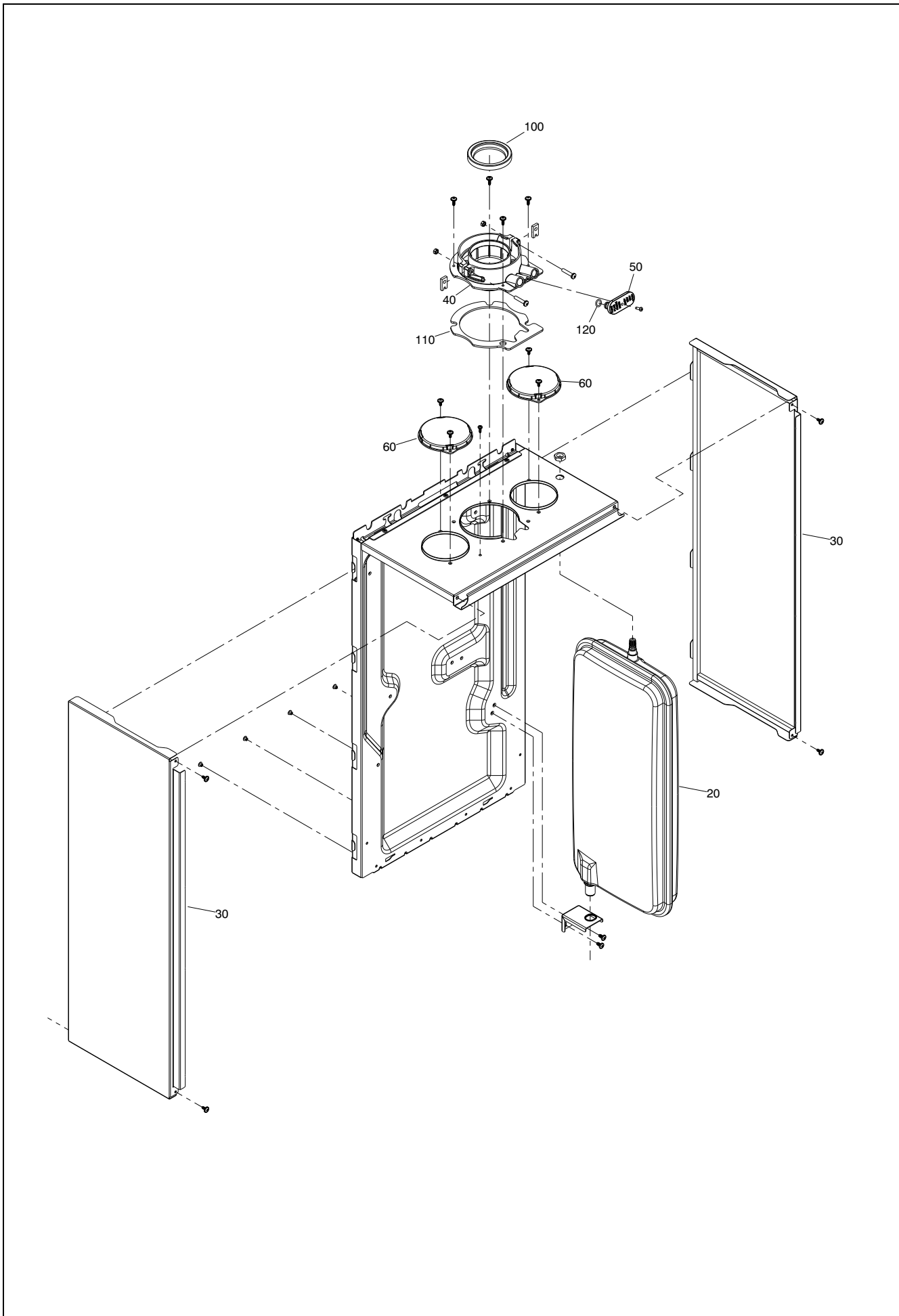
MODEL	PART NUMBER	
	MTN	GPL
Excel - i 25C	20188732	-



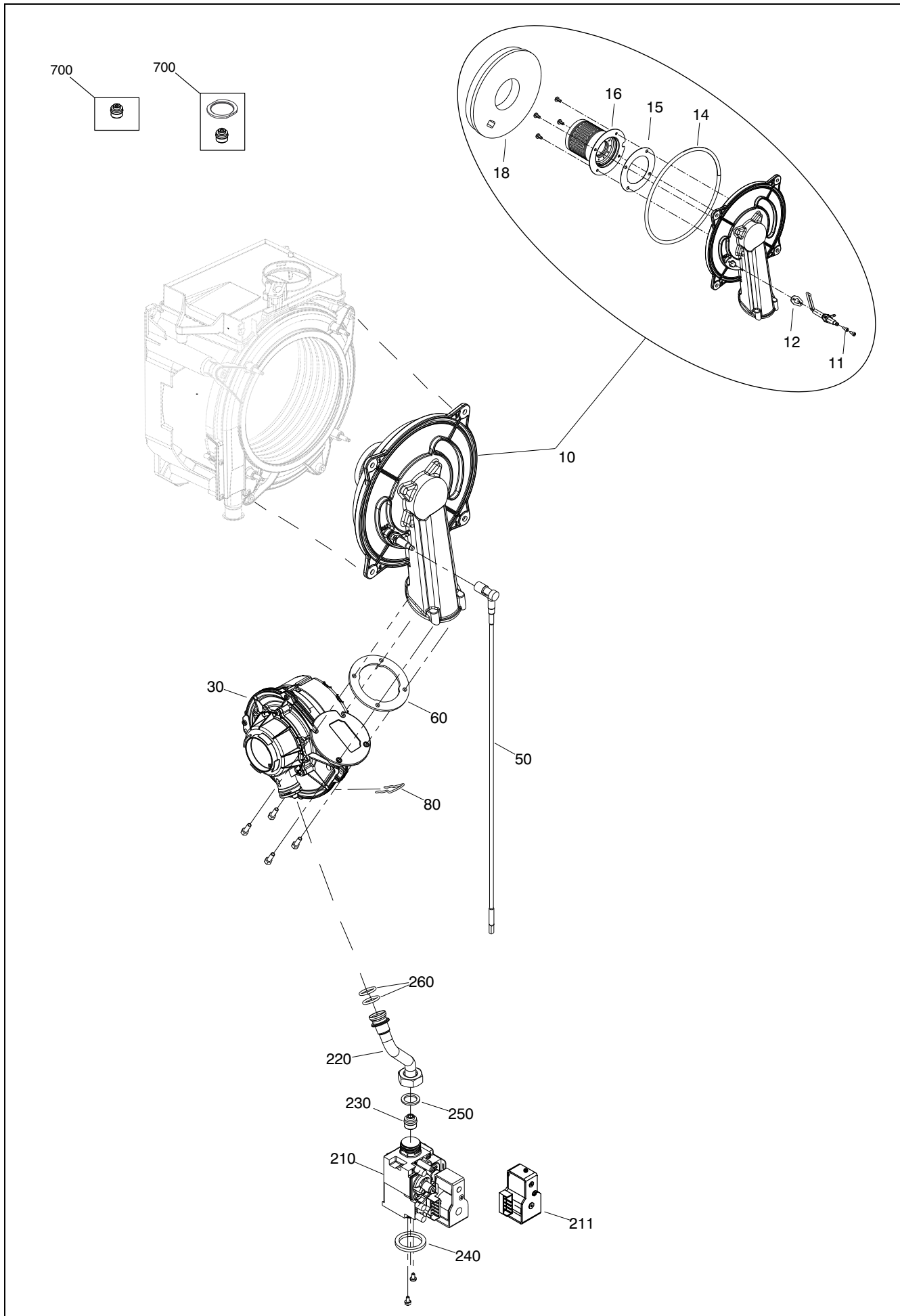
POS.	DESCRIPTION	25C
10	Interface	20194394
20	Control panel	20193324
30	Electric parts cover	20188467
40	Control board	20188484
50	Hinge	20193327
70	Washer	20192061
210	Case Assembly	20193822
220	Seal assembly	20193008



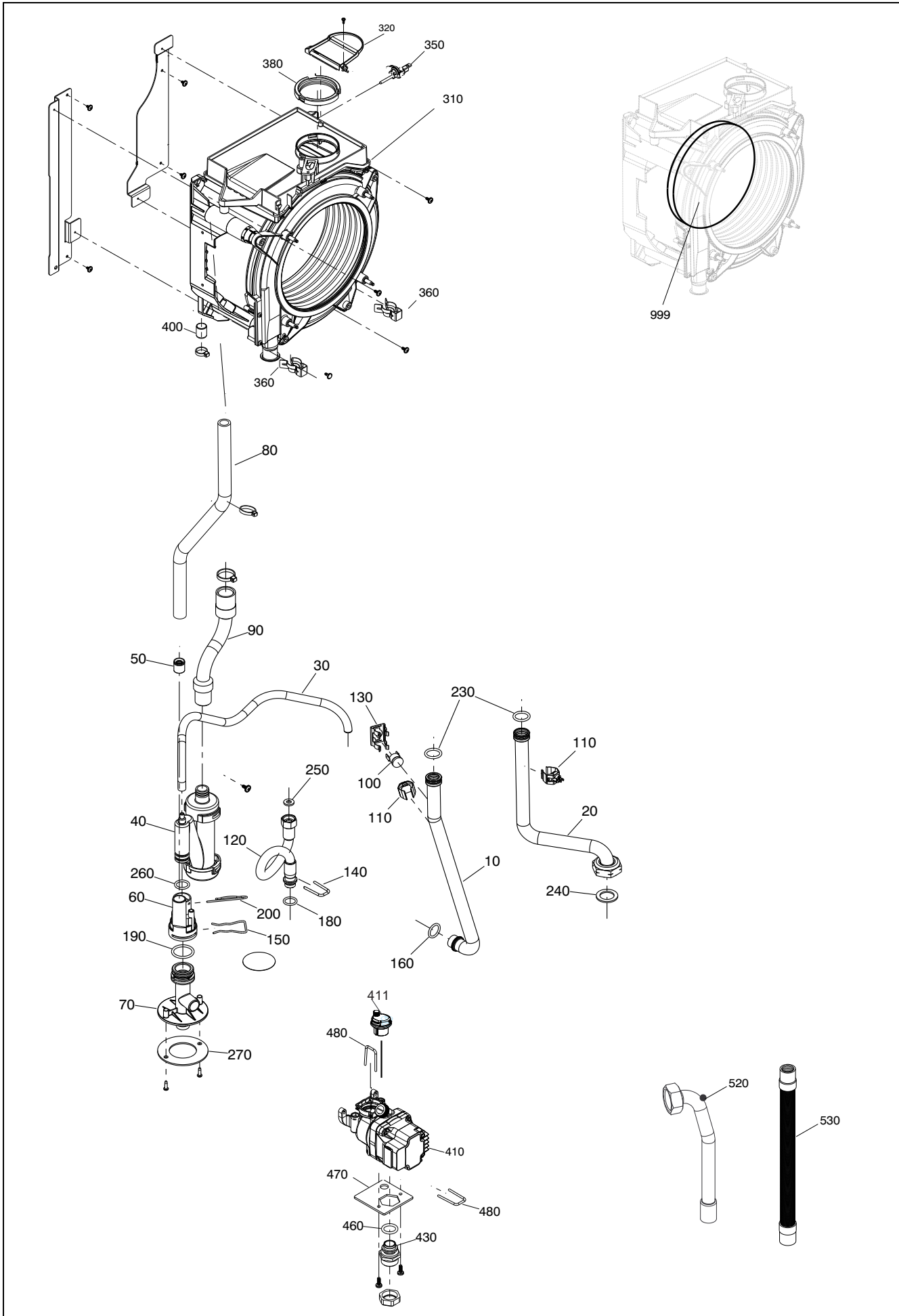
POS.	DESCRIPTION	25C
20	Hydraulic connection	20193766
21	Cartridge	20188990
24	Actuator	20188985
25	High head by-pass valve	20196690
26	Pressure transducer	20188992
27	Safety valve	20188993
28	Temperature detector	20188994
29	Clip	20189049
30	Clip	20189051
31	Clip	20189052
32	Clip	20189064
33	Modulator	20188595
34	Hole cover	20188600
35	Clip	20188603
36	Cartridge	20194095
37	Printed circuit board	20188605
40	Heat exchanger	20188457
60	Pipe	20200101
85	Clip	20145853
90	Clip	20145853
110	Washer	R10025067
120	Washer	20188460
150	Spacer	20193330
170	Washer	20193339
180	Clip	R5128
230	Ground rivet	20154023
270	Five positions fairlead	20123125
310	Heating cock	20132650
330	Angle pipe	20132654
340	Cock	20164543
350	Heat water cock	20132653
370	Washer	R5026
380	Washer	R5023



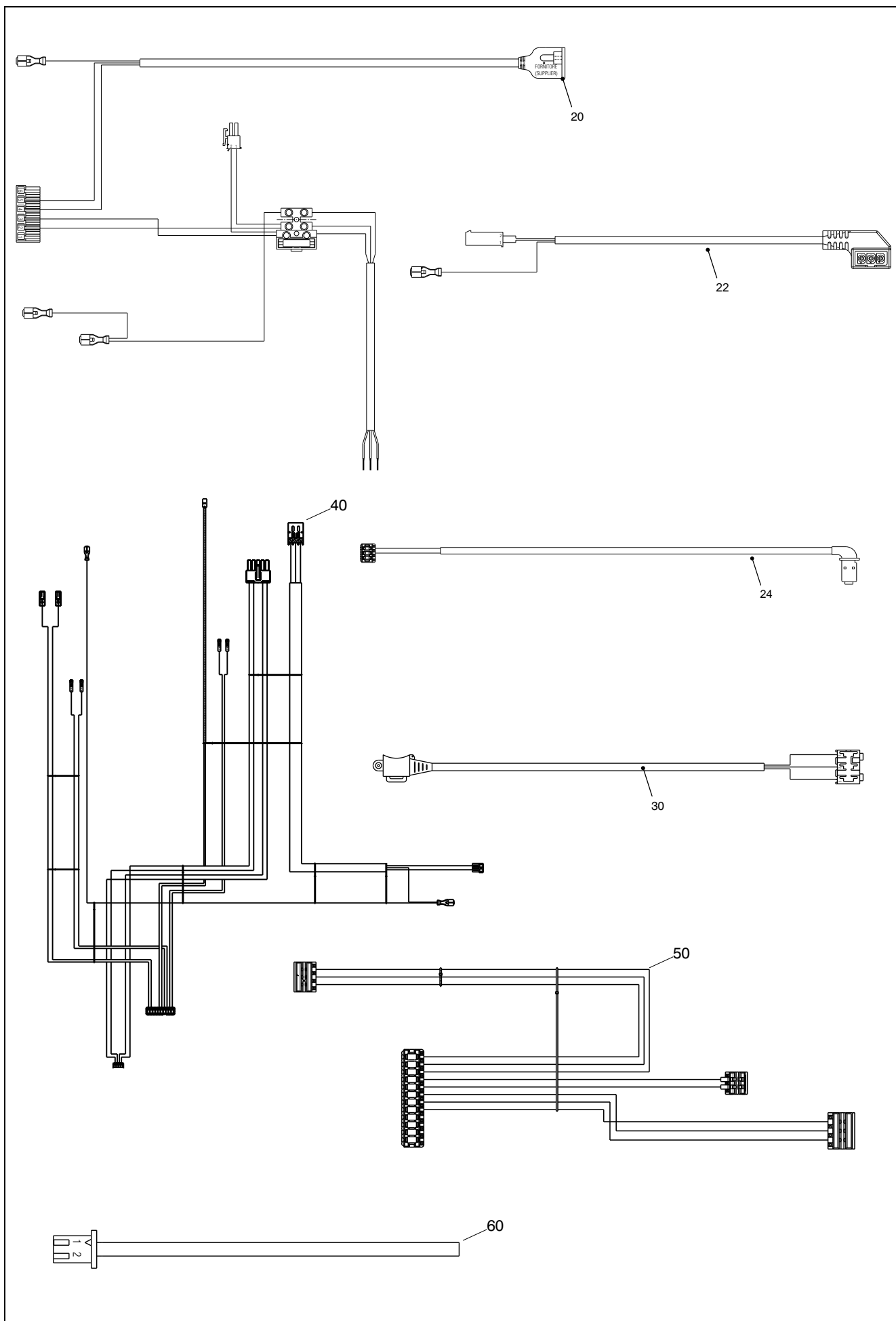
POS.	DESCRIPTION	25C
20	Expansion tank	20193328
30	Panel	20193831
40	Fumes flange	20193009
50	Cap smoke analysis	20089999
60	Hole cover	20005586
100	Gasket fan	20193768
110	Flange gasket	20193329
120	O-ring	R10026494



POS.	DESCRIPTION	25C
10	Conveyor	20188495
11	Ignition electrode	20135946
12	Electrode seal	20157191
14	Insulation panel	20188496
15	Burner seal	20188498
16	Premix burner	20188499
18	Burner seal	20188500
30	Fan	20188504
50	Spark electrode cable	20193326
60	Washer	R10026796
80	Clip	R10025062
210	Gas valve	20039202
211	Gas valve solenoid	20040675
220	Pipe	20193333
230	gas diaphragm	20085974
240	Gasket	20123159
250	Washer	R5023
260	Washer	20024869
700	LPG conversion kit	20038060
700	LPG conversion kit	20028555
700	Conversion kit G2.350 Cond.	20192676
700	G230 Conversion kit	20192672
700	Ng conversion kit	20188223



POS.	DESCRIPTION	25C
10	Pipe	20193332
20	Pipe	20193331
30	Tube kit	20161501
40	Siphon	20188455
50	Non return valve	20188456
60	Condensation outlet (drainage) manifold	20188501
70	Bracket	20188463
80	Silicon pipe	20181028
90	Condensing pipe	20193340
100	High limit thermostat	20005585
110	Temperature detector	20188488
120	Pipe	20188465
130	Clip	R5472
140	Clip	20188462
150	Clip	R10023532
160	O ring	20000131
180	O ring	20182412
190	O ring	R10026324
200	Clip	R2222
230	O ring	20152424
240	Washer	R9732
250	Washer	R5025
260	O-Ring	20140935
270	Washer	20188453
310	Condensing exchanger	20193338
320	Rain coat for exchanger	20135930
350	Flue sensor	20135782
360	Spring pipe	20000130
380	Washer Ø 60	R10028426
400	Hole cover	20181027
410	Pump	20199775
411	Degasser	20199776
430	connector	20188459
460	Washer	20188460
470	Washer	20188481
480	Clip	20188603
520	Pipe	20025755
530	Condensation outlet tube	20100816
999	Retarder insulating panel	20159693



POS.	DESCRIPTION	25C
20	Power wiring harness	20199850
22	Pump cable	20182430
24	Wiring harness	20190422
30	Hydraulic control cable	20194007
40	Combustion cable	20195453
50	Low tension cable	20188475
60	Wiring harness	20188472

Rev	Data	Descrizione
1.0	04/05/2022	E00120220039 +51+95 +162: coll. idraulico + raccordo + rampa+ circolatore + cablaggi
2.0	06/10/2022	E00120220394: circolatore + cablaggi



Vokera reserve the right to change the specifications without prior notice.
Consumers' statutory rights are not affected.