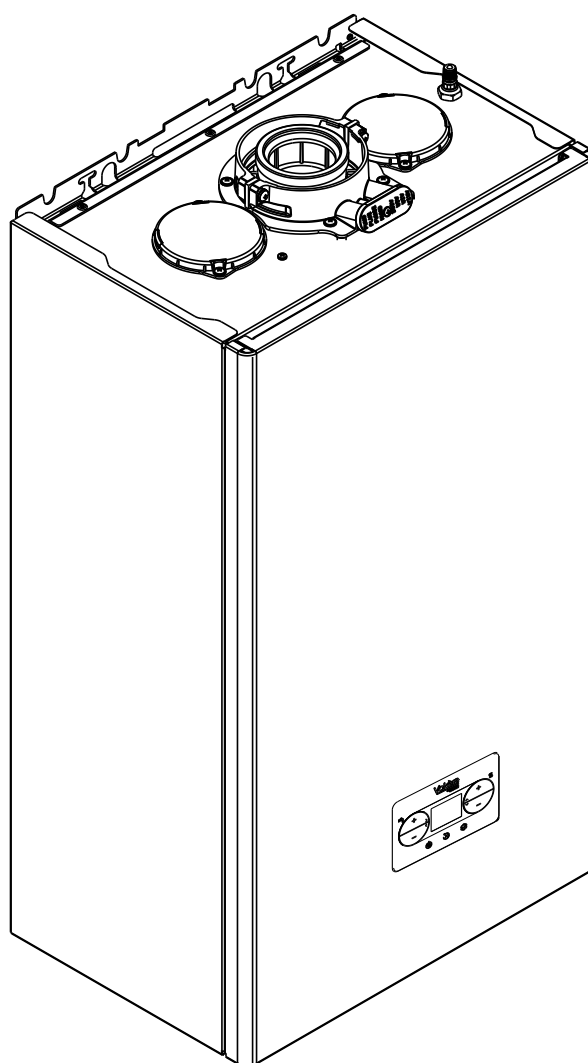
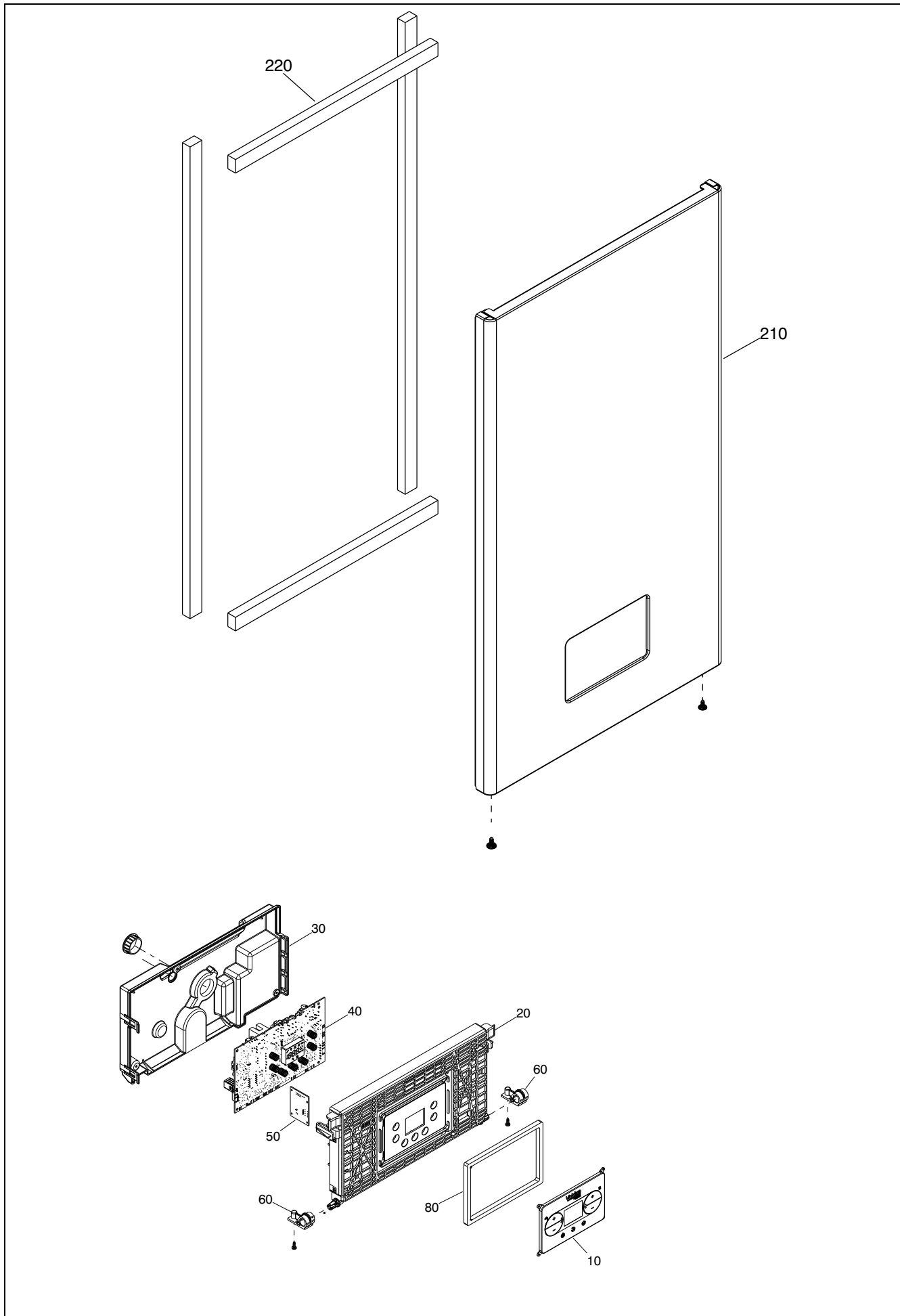


**Wall hung boilers**

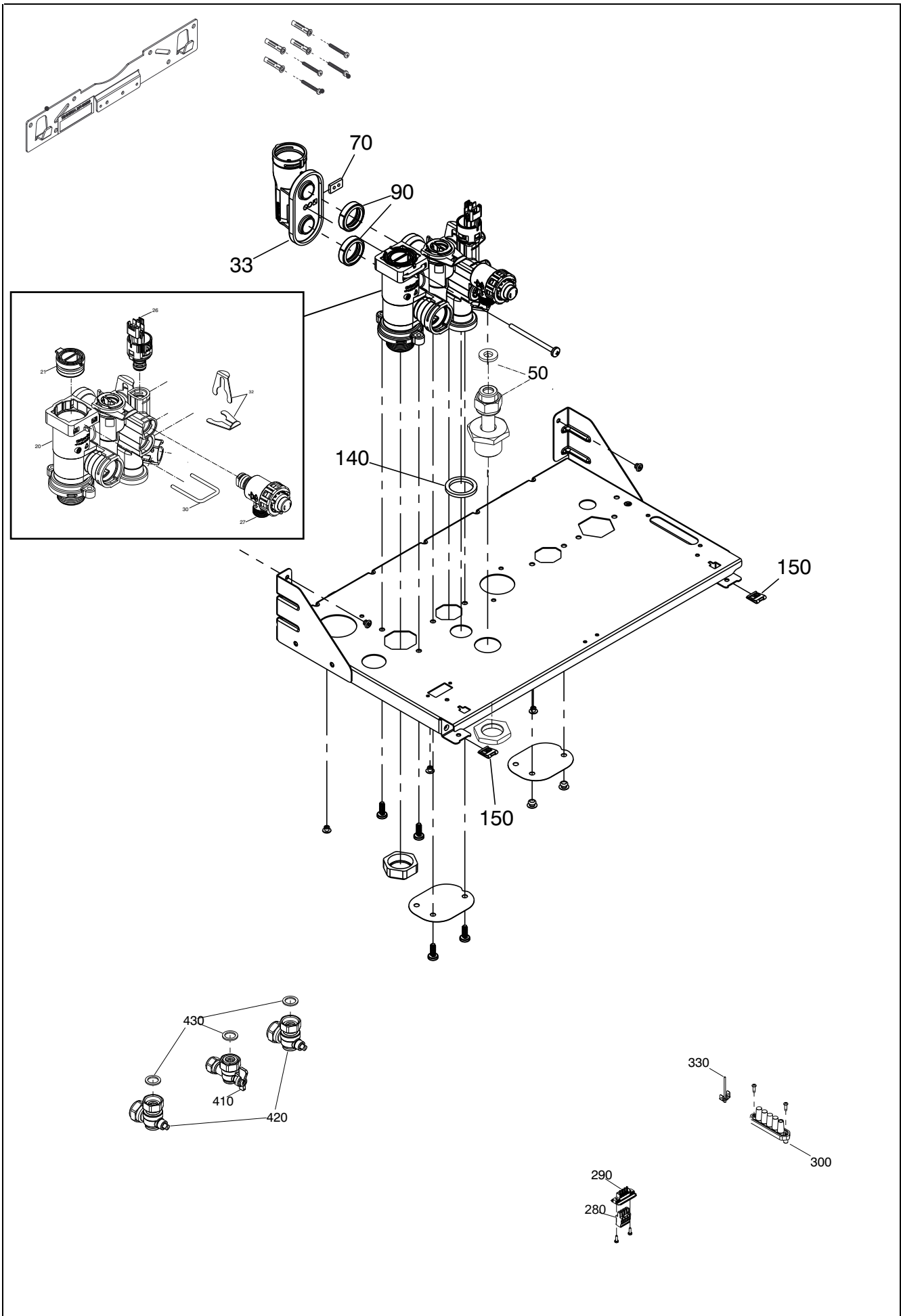
**VIBE MAX 25S**



MODEL	PART NUMBER	
	MTN	GPL
Vibe Max 25S	20188724	-

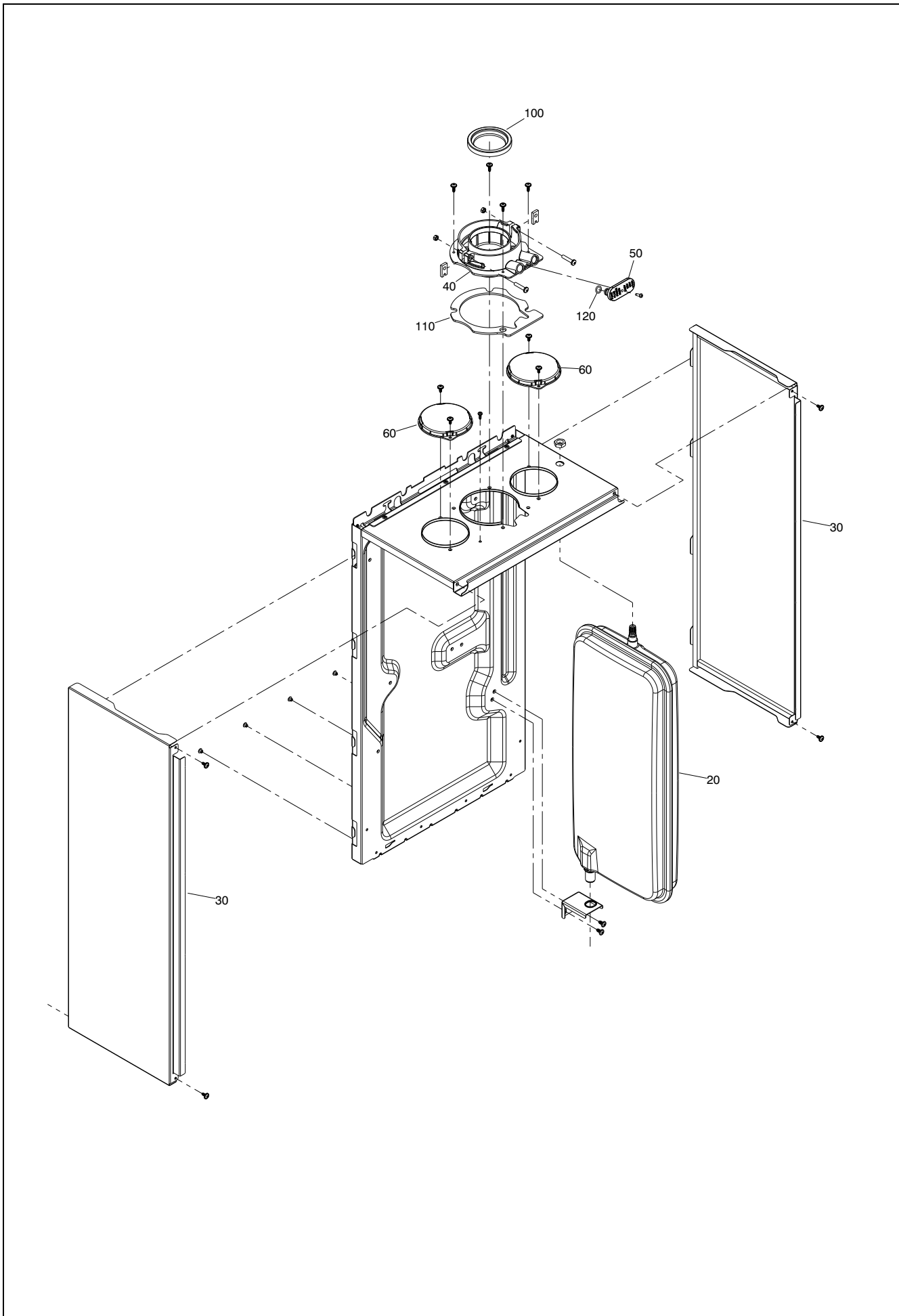


<b>POS.</b>	<b>DESCRIPTION</b>	<b>25S</b>
10	Interface	20194091
20	Control panel	20193324
30	Electric parts cover	20188467
40	Control board	20188484
50	Printed circuit board	20076436
60	Hinge	20193327
80	Washer	20192061
210	Case Assembly	20193822
220	Seal assembly	20193008

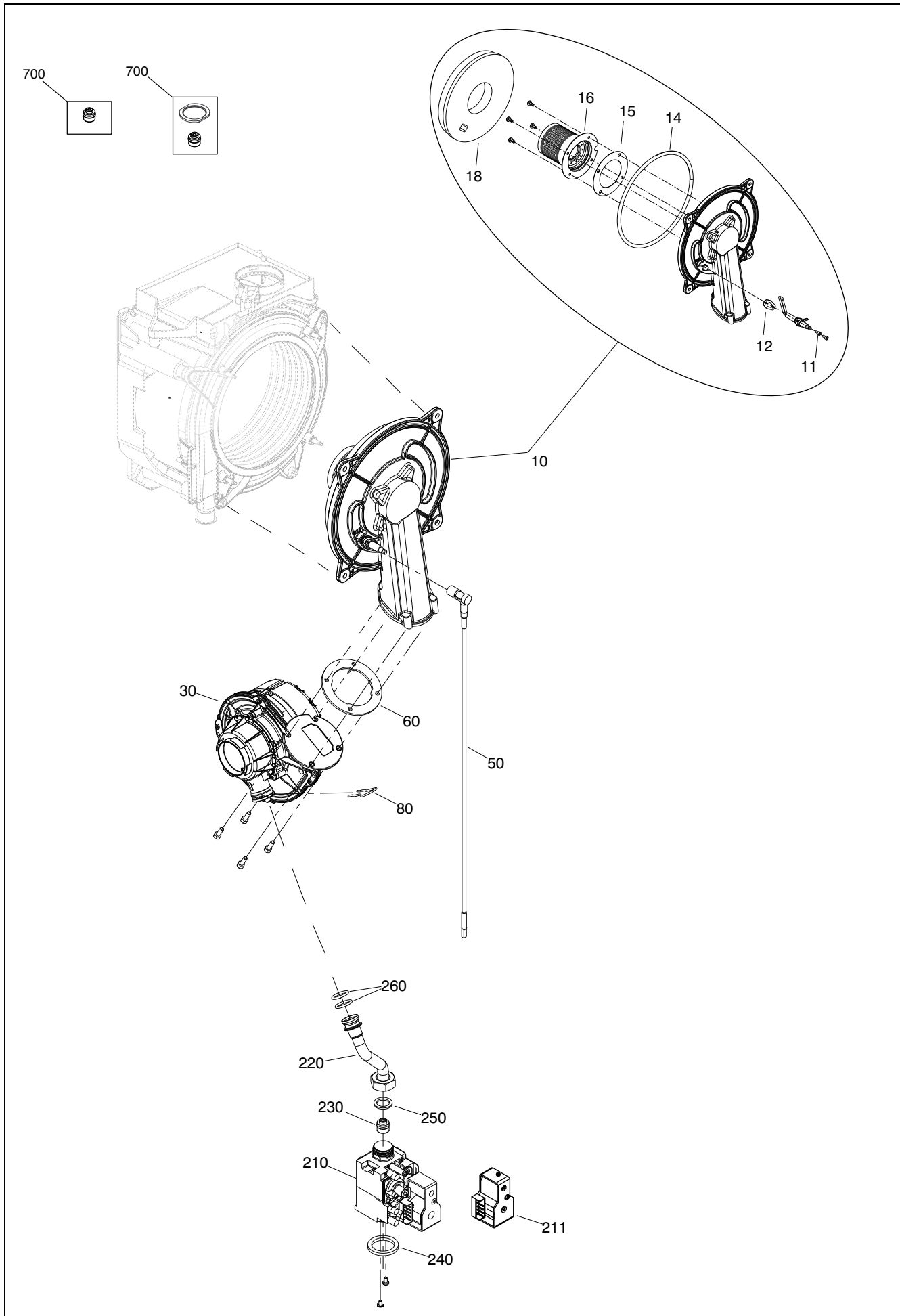




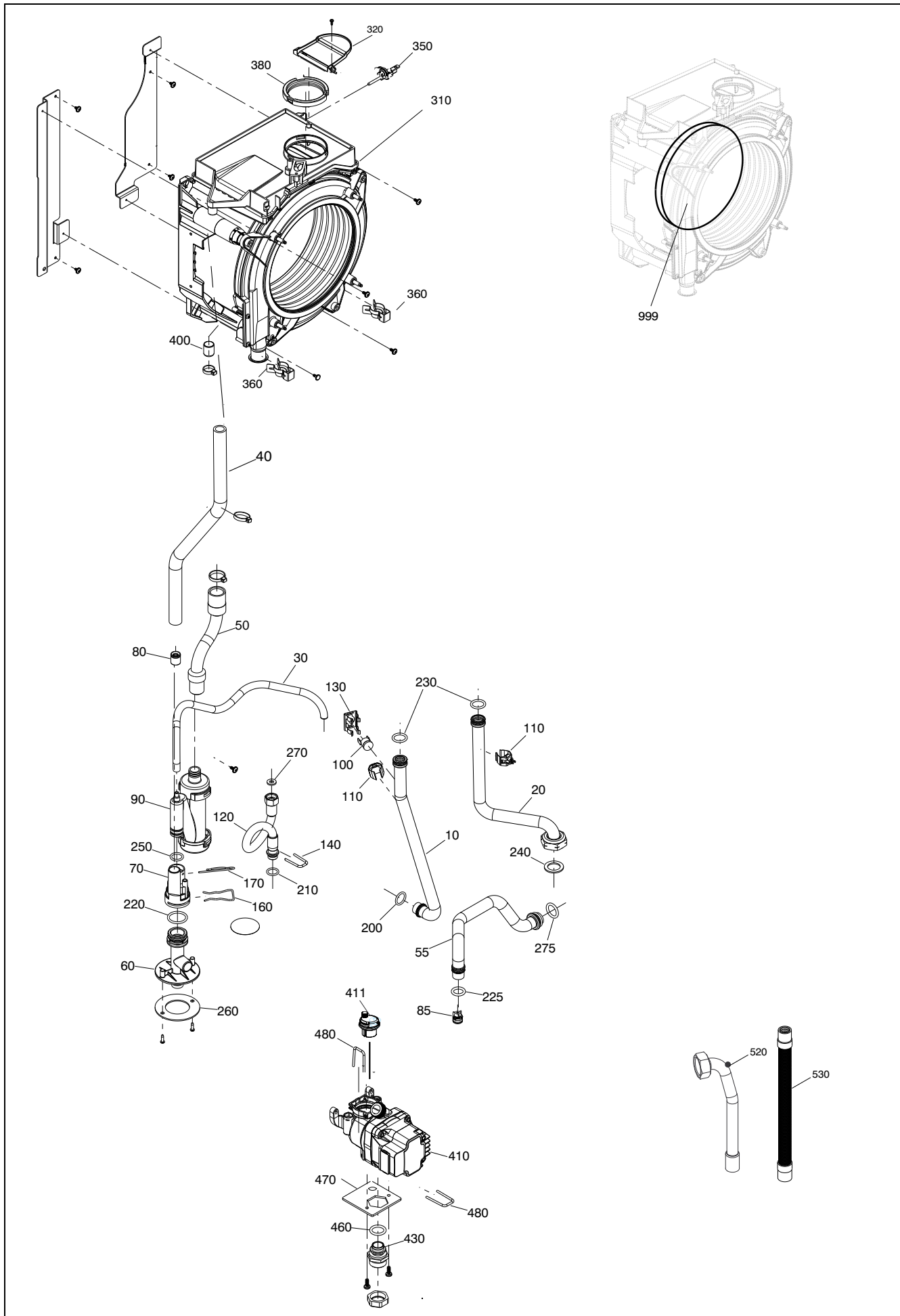
POS.	DESCRIPTION	25S
20	Hydraulic connection	20193766
21	Hole cover	20194516
26	Pressure transductor	20188992
27	Safety valve	20188993
30	Clip	20189051
32	Clip	20189064
33	Connection	20194508
50	Pipe	20200101
60	Clip	20145853
70	Insert	20193350
90	Washer	R10025067
140	Washer	20193339
150	Clip	R5128
280	4-pin connector	20154287
290	4-pin connector	20188746
300	Five positions fairlead	20123125
330	Ground rivet	20154023
410	Heating cock	20132650
420	Heat water cock	20132653
430	Washer	R5023



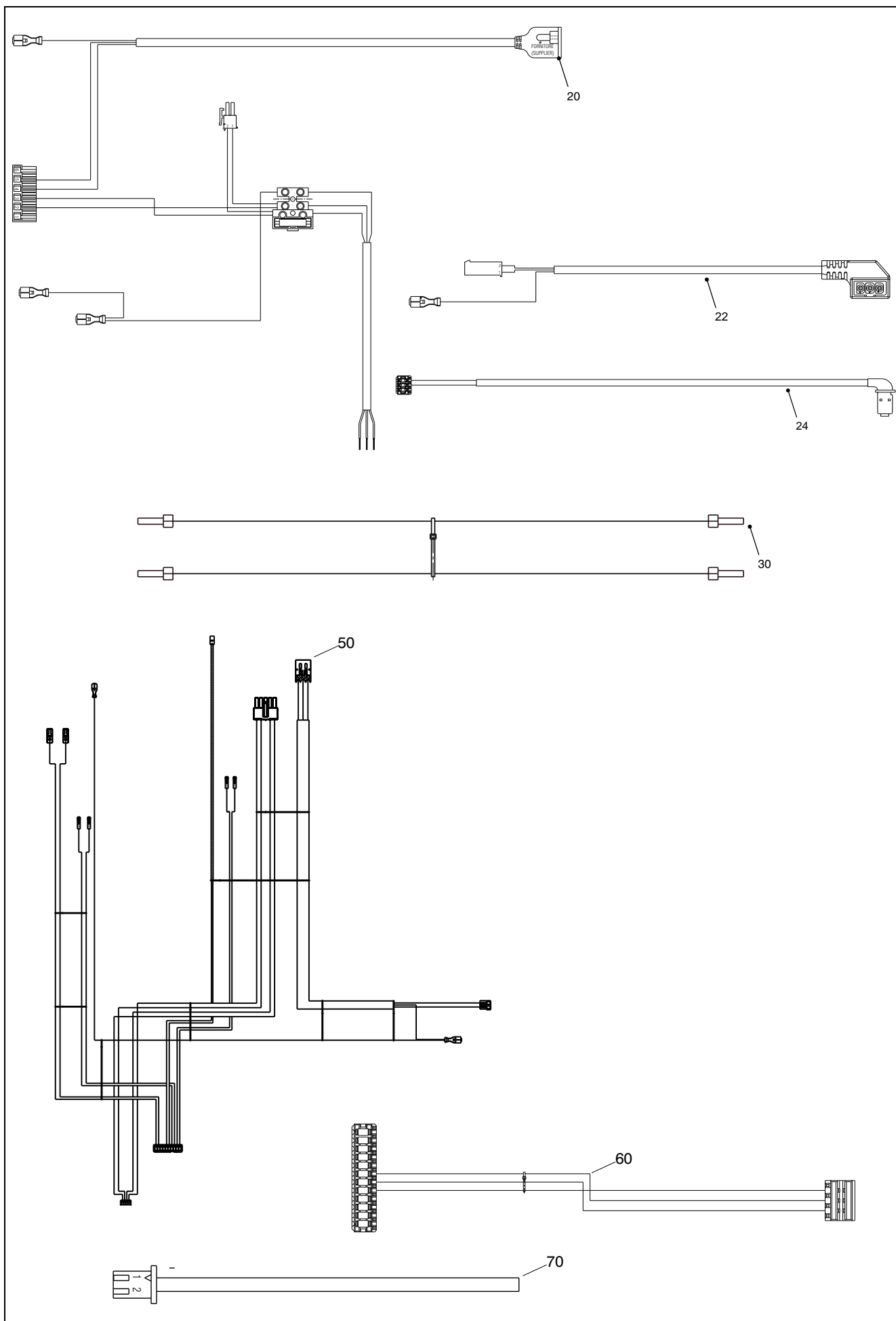
POS.	DESCRIPTION	25S
20	Expansion tank	20193328
30	Panel	20193831
40	Fumes flange	20193009
50	Cap smoke analysis	20089999
60	Hole cover	20005586
100	Gasket fan	20193768
110	Flange gasket	20193329
120	O-ring	R10026494



POS.	DESCRIPTION	25S
10	Conveyor	20188870
11	Ignition electrode	20135946
12	Electrode seal	20157191
14	Insulation panel	20188496
15	Burner seal	20188498
16	Premix burner	20188871
18	Burner seal	20188500
30	Fan	20188753
50	Spark electrode cable	20193346
60	Washer	R10026796
80	Clip	R10025062
210	Gas valve	20039202
211	Gas valve solenoid	20040675
220	Pipe	20193344
230	Gas diaphragm 4.8	R10025461
240	Gasket	20123159
250	Washer	R5023
260	Washer	20024869
700	LPG conversion kit	20007958
700	G230 Conversion kit	20192674
700	G27 conversion kit	20184077
700	G2.350 conversion kit	20184079
700	Ng conversion kit	20188226



POS.	DESCRIPTION	25S
10	Pipe	20193343
20	Pipe	20193331
30	Tube kit	20161501
40	Silicon pipe	20181028
50	Condensing pipe	20193340
55	Pipe	20194509
60	Bracket	20188463
70	Condensation outlet (drainage) manifold	20188501
80	Non return valve	20188456
85	High head by-pass valve	20196474
90	Siphon	20188455
100	High limit thermostat	20005585
110	Temperature detector	20188488
120	Pipe	20188465
130	Clip	R5472
140	Clip	20188462
160	Clip	R10023532
170	Clip	R2222
200	O ring	20000131
210	O ring	20182412
220	O ring	R10026324
225	Washer	20194510
230	O ring	20152424
240	Washer	R9732
250	O-Ring	20140935
260	Washer	20188453
270	Washer	R5025
275	Washer	20188460
310	Condensing exchanger	20193345
320	Rain coat for exchanger	20135930
350	Flue sensor	20135782
360	Spring pipe	20000130
380	Washer Ø 60	R10028426
400	Hole cover	20181027
410	Pump	20199775
411	Degasser	20199776
430	connector	20188459
460	Washer	20188460
470	Washer	20188481
480	Clip	20188603
520	Pipe	20025755
530	Condensation outlet tube	20100816
999	Retarder insulating panel	20159693





POS.	DESCRIPTION	25S
20	Power wiring harness	20199850
22	Pump cable	20182430
24	Wiring harness	20190422
30	Wiring harness	20195464
40	Bus wiring harness	20188471
50	Combustion cable	20188470
60	Low tension cable	20195465
70	Wiring harness	20188472

Rev	Data	Descrizione
1.0	22/11/2021	E00120210491: modifica gruppi bruciatore e rampe
2.0	28/12/2021	E00120210519: valvola bypass
3.0	04/05/2022	E00120220051+95 +162: raccordo + rampa+ circolatore + cablaggi
4.0	06/10/2022	E00120220394: circolatore + cablaggi



---

Vokera reserve the right to change the specifications without prior notice.  
Consumers' statutory rights are not affected.