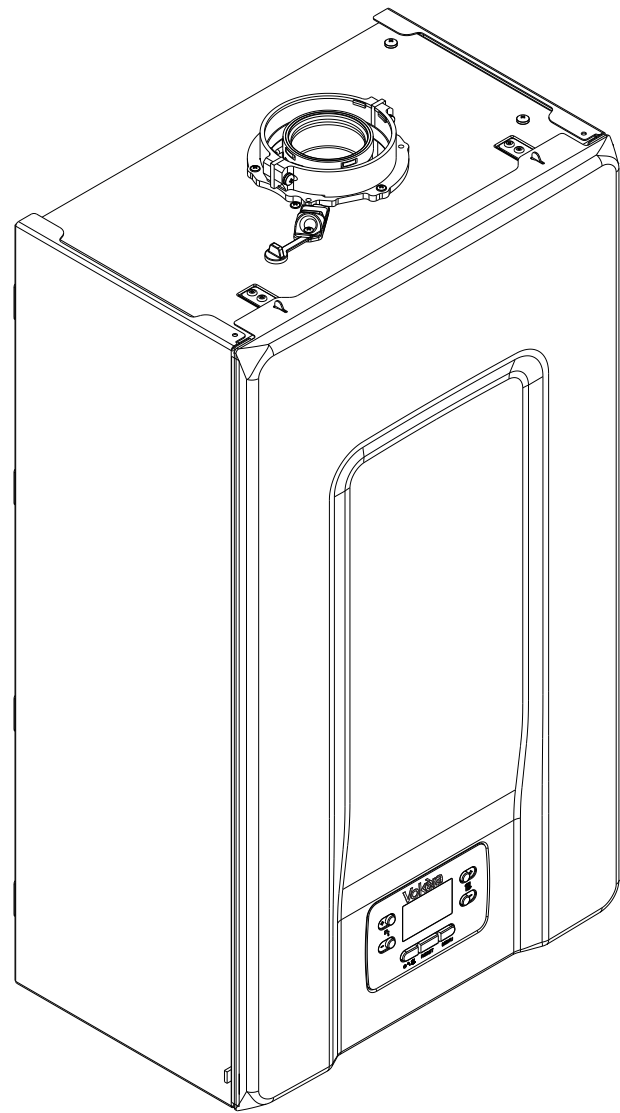
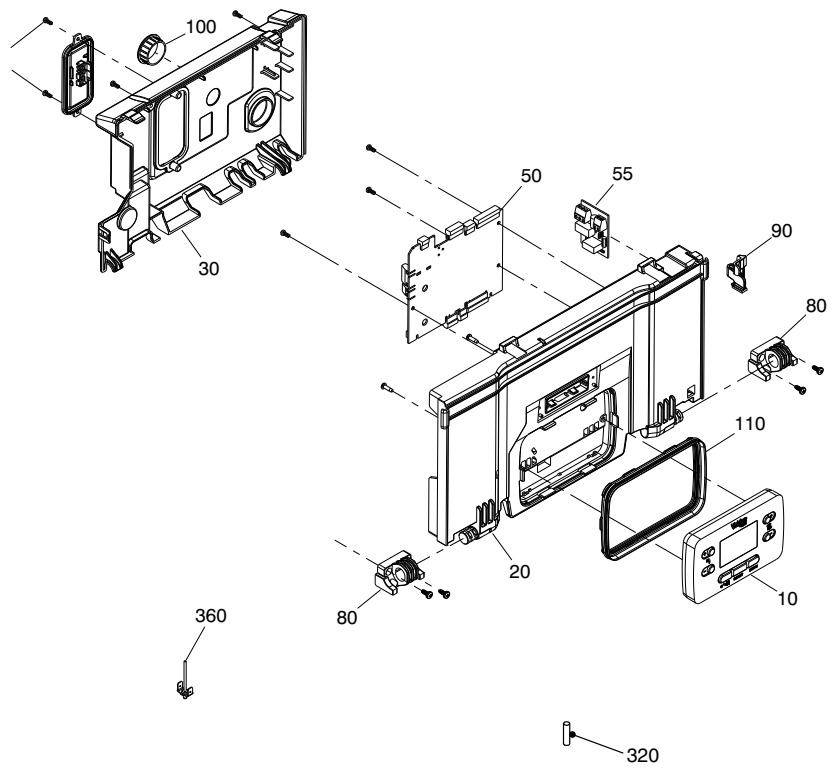
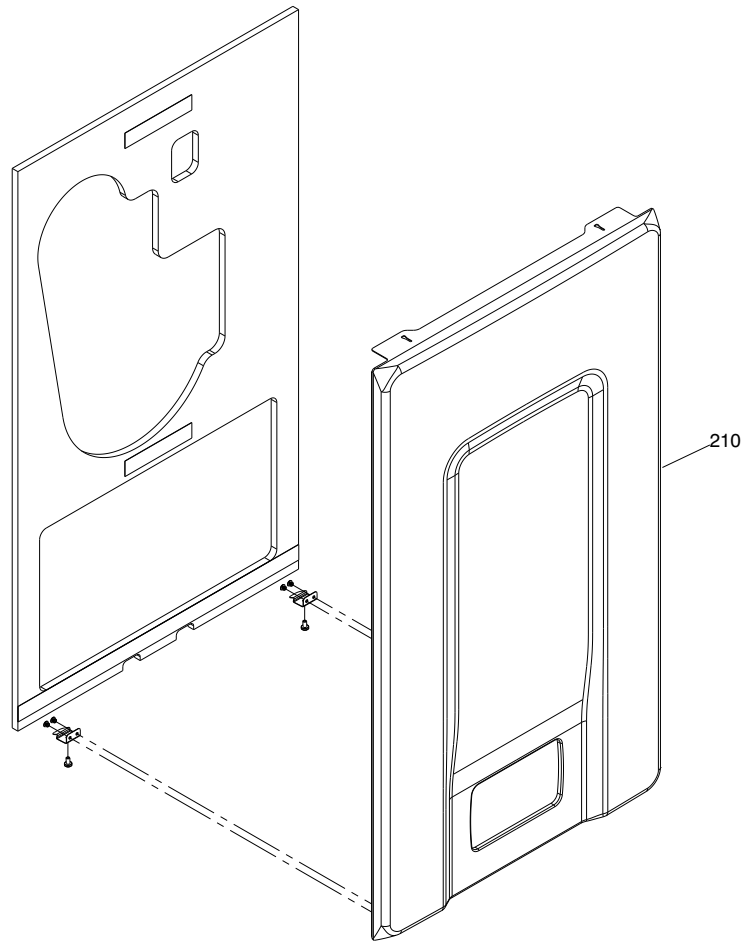


Wall hung boilers

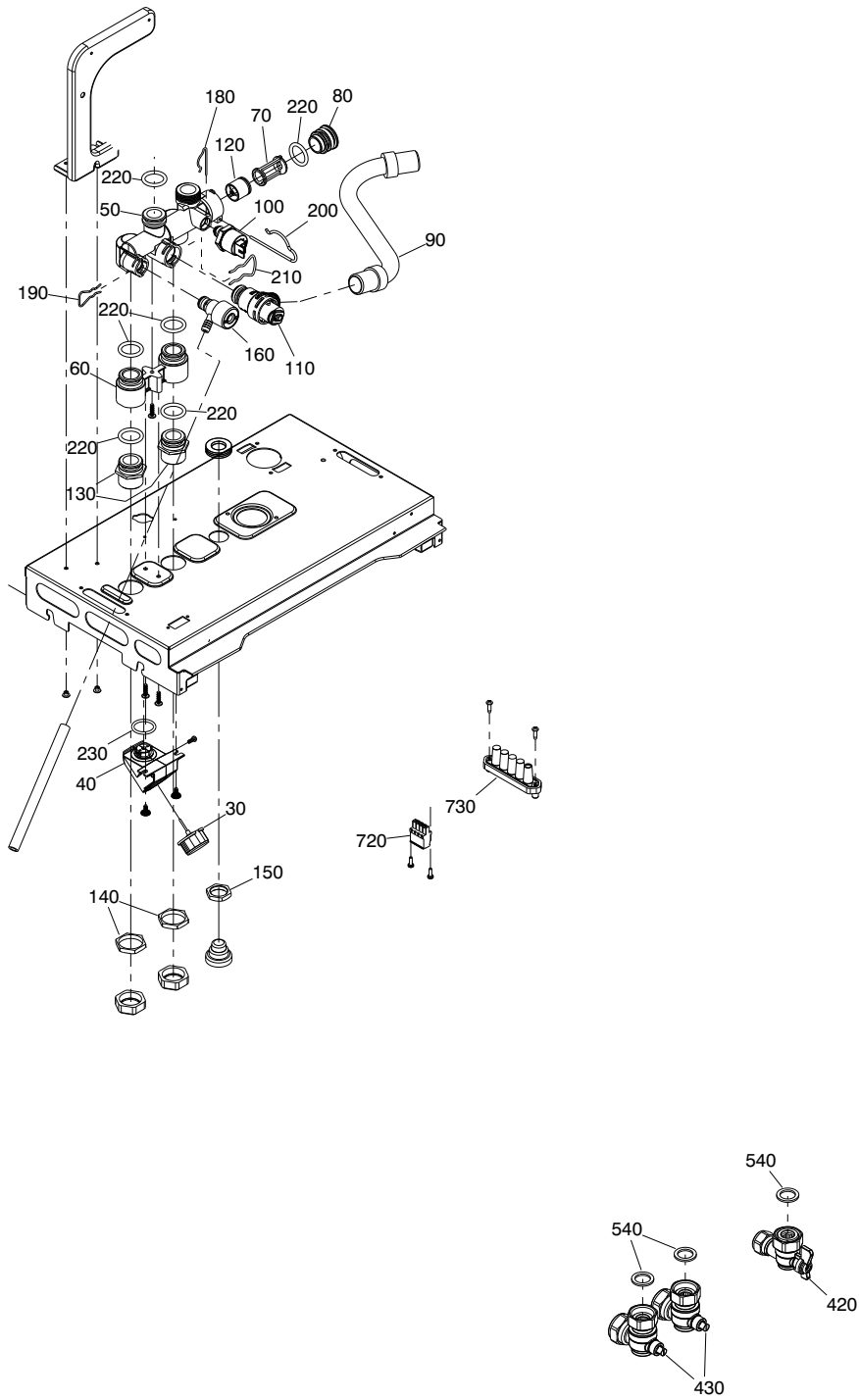
VISION PLUS 20S



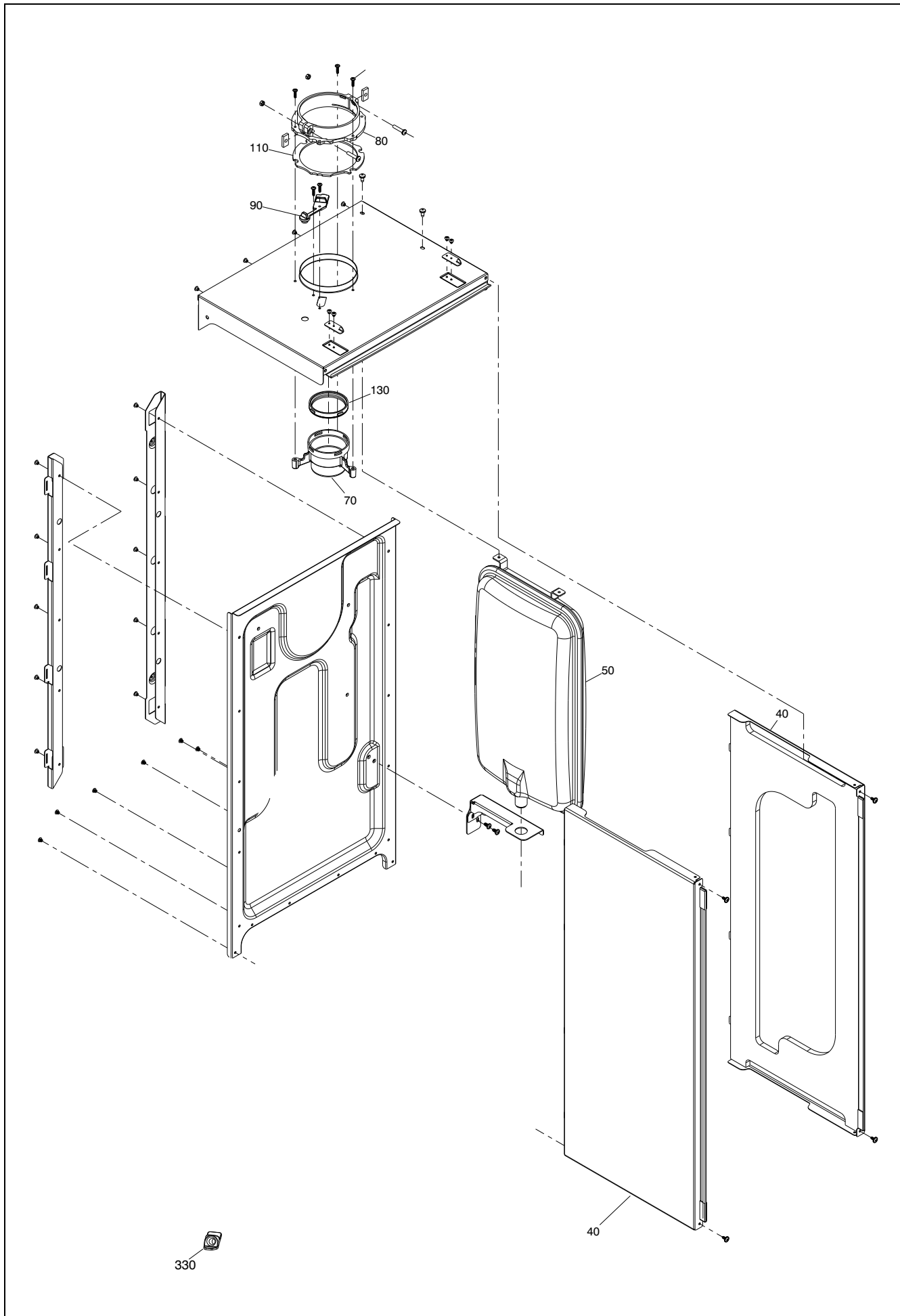
MODEL	PART NUMBER	
	MTN	GPL
Vision Plus 20S	20174726	-



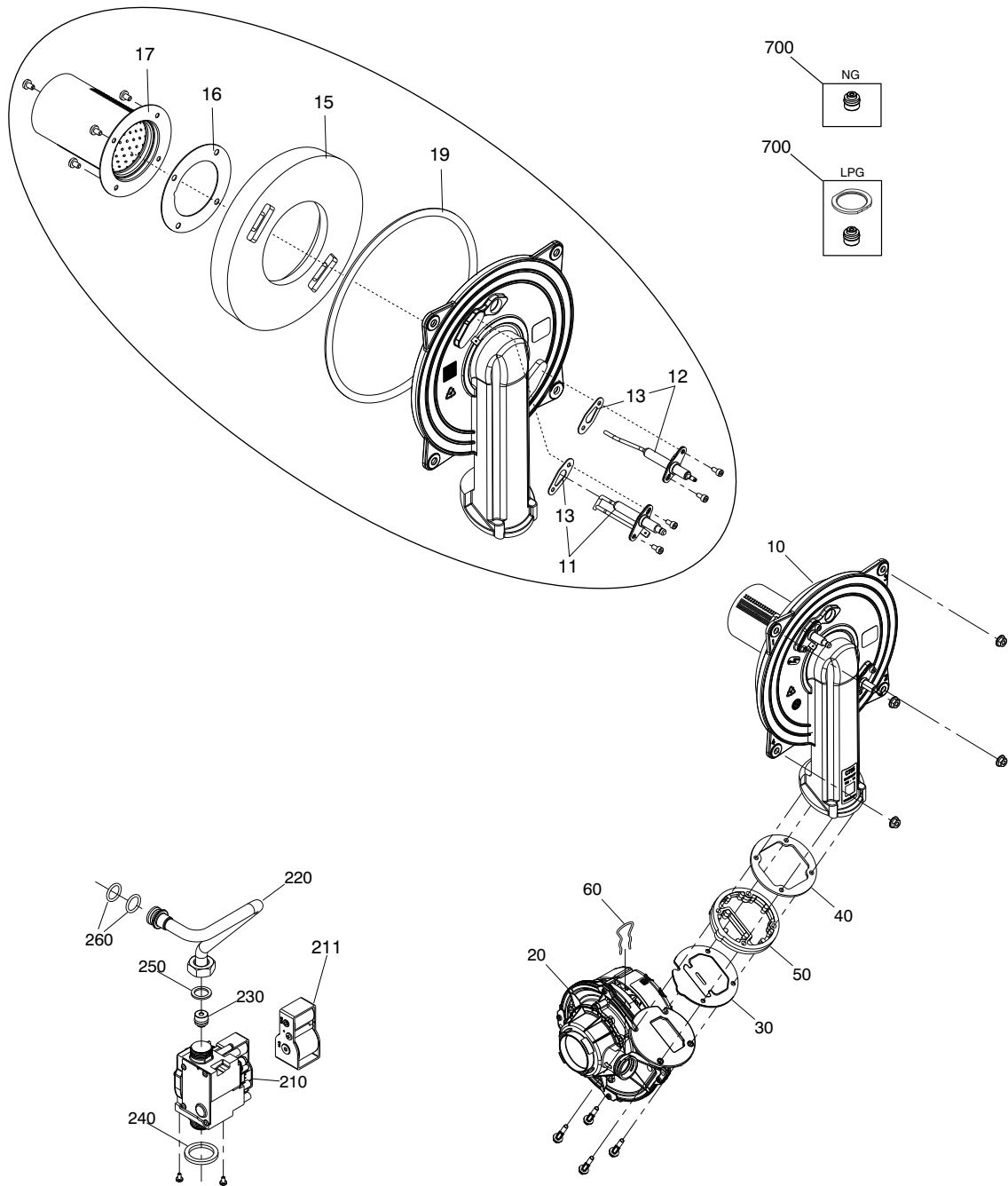
POS.	DESCRIPTION	20S
10	Control panel (\leq 20174726PR27R0005915)	20181023
10	Control panel (\geq 201074726PR27R005914)	20198281
20	Posterior cover instrumental panel	20194432
30	Electric parts cover	20154281
50	Control board	20178237
55	Printed circuit board	20076436
80	Rolling hinge	20123231
90	Instrumental panel fastener	20123230
110	Shaped gasket	20123240
210	Front panel	20178204
320	Fuse	R3478
360	Ground rivet	20154023



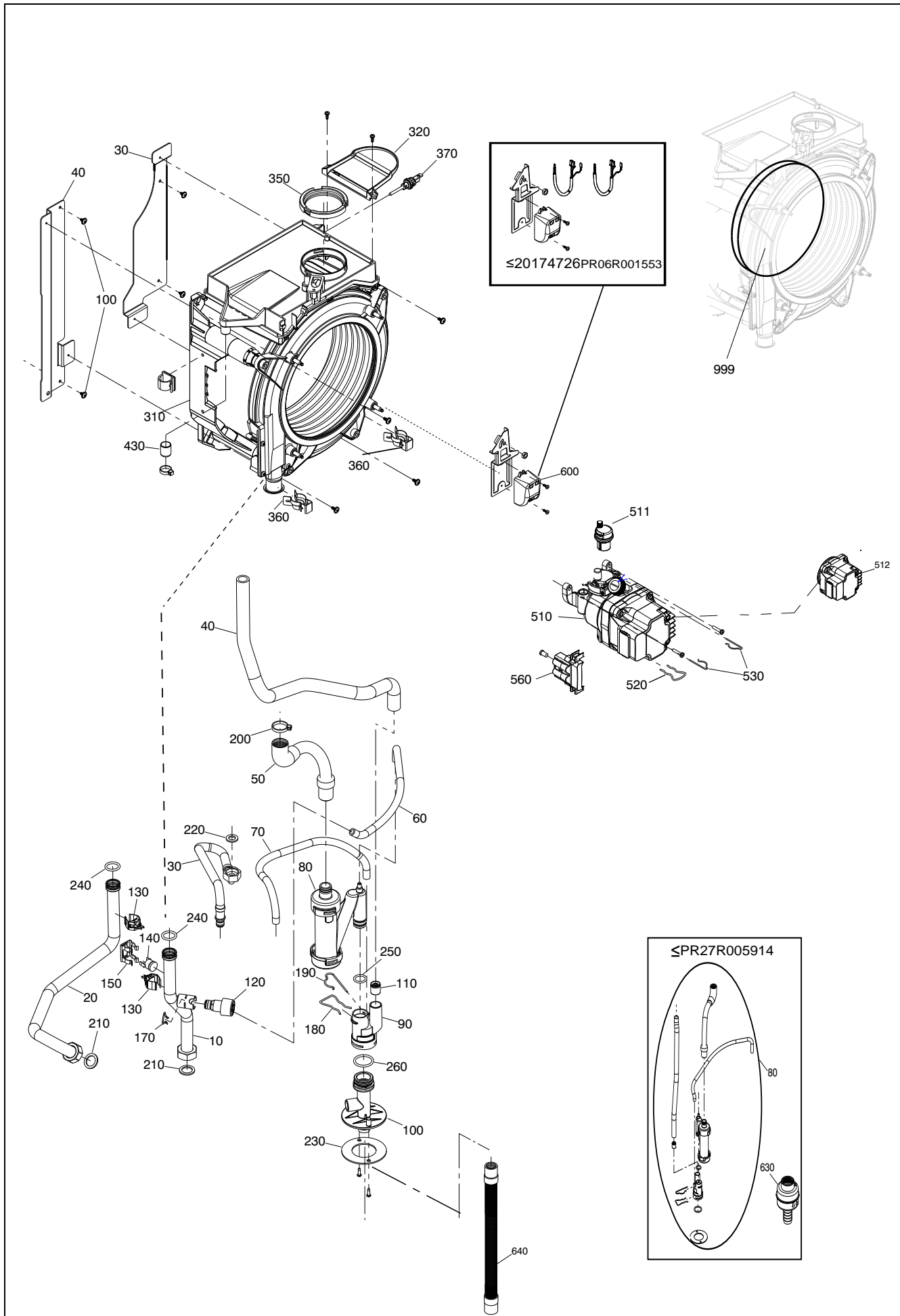
POS.	DESCRIPTION	20S
30	Quick primer pressure gauge	20049617
40	Water gauge carrier	20123121
50	Heating distrib.	20005568
60	Hydraulic connection	20130718
70	by-pass valve support	20068965
80	Automatic by-pass plug	R10024645
90	Flexible pipe	R10027074
100	Pressure transducer	20024559
110	Safety valve	20043820
120	High head by-pass valve	R1552
130	Connection	20014074
140	3/4" locknut	R4026
160	Cock	20000533
180	Clip	R2165
190	Clip	20000539
200	Clip	R2223
210	Clip	R10025062
220	O-ring	R6898
230	O-ring	R10023533
420	Heating cock	20132650
430	Heat water cock	20132653
540	Washer	R5023
720	4-pin connector	20154287
730	Five positions fairlead	20123125



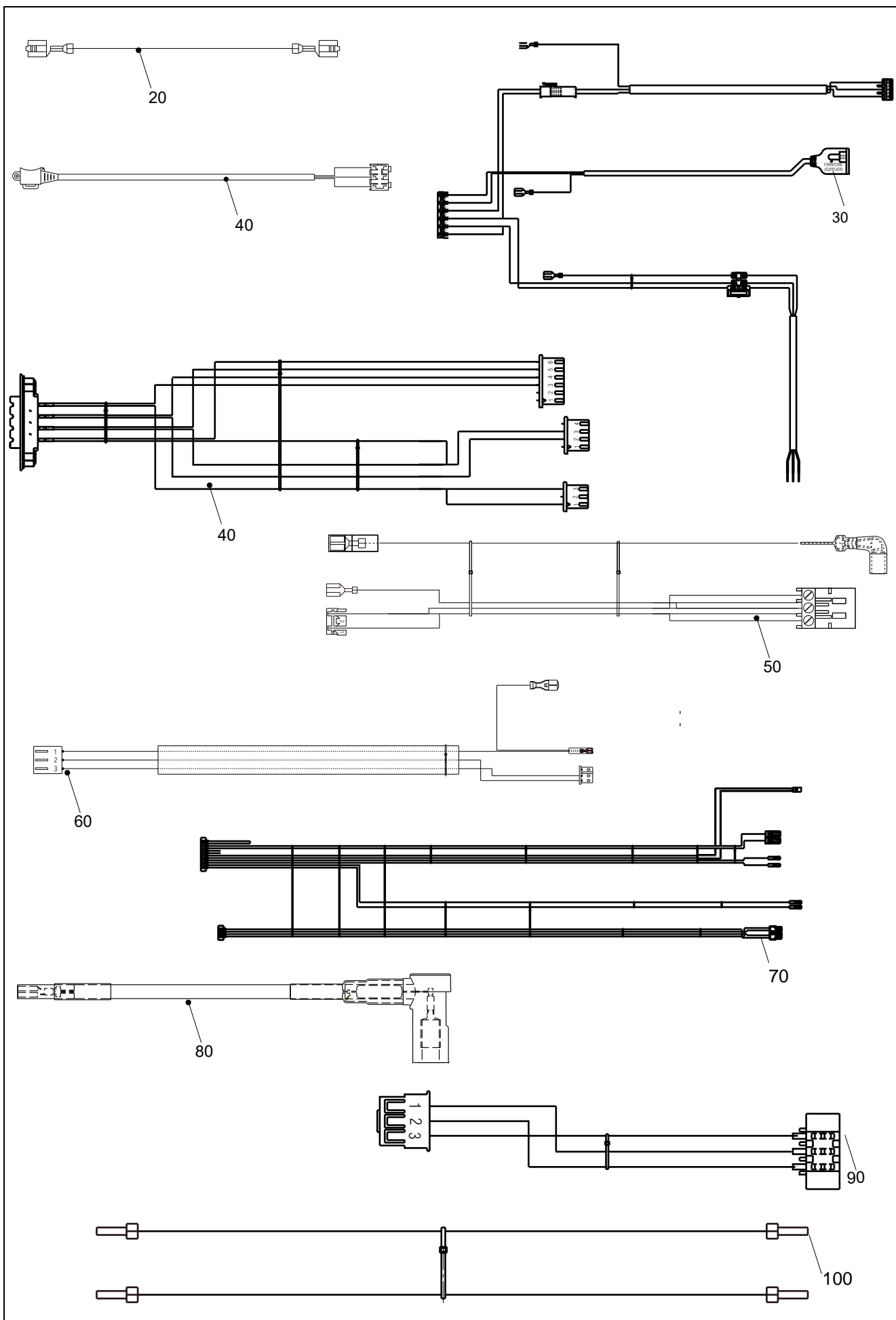
POS.	DESCRIPTION	20S
40	Side panel	20152418
50	9 lt. expansion tank	20135958
70	Flue drain connection	R10028421
80	Fumes flange	20157132
90	Cap smoke analysis	20157134
110	Flange gasket	20157133
130	Washer Ø 60	R10026345
330	Cap smoke analysis	20171129



POS.	DESCRIPTION	20S
10	Air/gas conveyor	20177647
11	Ignition electrode	20135946
12	Sensing electrode	20135947
13	Electrode seal	20157191
15	Insulation panel	20177648
16	Seal burner	20135949
17	Premix burner	20135950
19	Washer	20135951
20	Integrated fan	20135790
30	Non return valve	20169395
40	Washer	20135952
50	Spacer	20177790
60	Clip	R10025062
210	Gas valve	20039202
211	Gas valve solenoid	20040675
220	Pipe	20181033
230	Gas diaphragm	R10023451
240	Gasket	20123159
250	Washer	R5023
260	Washer	20024869
270	Screw	R5086
700	LPG conversion kit	20007958
700	Ng conversion kit	20029043



POS.	DESCRIPTION	20S
10	Pipe	20181038
20	Pipe	20154283
30	Pipe	R10025188
40	Condensing pipe	20191408
50	Pipe	20190420
60	Tube kit	20136036
70	Tube kit	20161501
80	Kit siphon + pipe (≤20174728PR17R004608)	20191692
80	Siphon	20188455
90	Condensation outlet (drainage) manifold	20190416
100	Bracket	20190417
110	Non return valve	20188456
120	Cock	20000533
130	Temperature detector	20188488
140	High limit thermostat	20005585
150	Clip	R5472
170	Clip	20000539
180	Clip	R10023532
190	Clip	R2222
210	Washer	R10023699
220	Washer	R5026
230	Washer	20188453
240	O ring	20152424
250	O-Ring	20140935
260	O ring	R10026324
310	Condensing exchanger assembly (up to serial n. ≤20174728PR41P007103)	20182828
310	Condensing exchanger assembly (from serial n. ≥20174728PR41P007104)	20177653
320	Rain coat for exchanger	20135930
350	Washer Ø 60	R10028426
360	Spring pipe	20000130
370	Flue sensor	20135782
430	Hole cover	20181027
510	Pump 6 mt.	20178238
511	Air vent bottle	20169571
512	Motor	20195456
520	Clip	R10025062
530	Clip	R2165
560	Cover	20180465
600	Ignition transformer (up to serial n. ≤20174728PR13R000252)	20197827
600	Ignition transformer	20202286
630	Safety float (≤20174728PR17R004608)	20127819
640	Condensation outlet tube	20100816
650	Washer	R10023699
670	Hose clamp	20152306
999	Retarder insulating panel	20159693



POS.	DESCRIPTION	20S
20	Cablaggio collegamento terra	20167256
30	Cablaggio alimentazione	20181024
40	Cablaggio segnale BUS	20202811
50	Cablaggio ventilatore	20167257
60	Cablaggio accensione fiamma	20197821
70	Cablaggio combustione	20181022
80	Cablaggio candela	20197816
90	Cablaggio trasduttore di pressione	20167261
100	Cablaggio collegamento scheda	20181035

Rev	Data	Descrizione
1.0	30/11/2021	E00120210353 + E00120210445: cruscotto + motore Taco
2.0	23/02/2022	E00120210551: posizione accenditore
3.0	18/07/2022	E00120220080 + E00120220040: pannello comandi + modifica sifone
4.0	01/09/2022	E00120220346: trasformatore



Vokera reserve the right to change the specifications without prior notice.
Consumers' statutory rights are not affected.