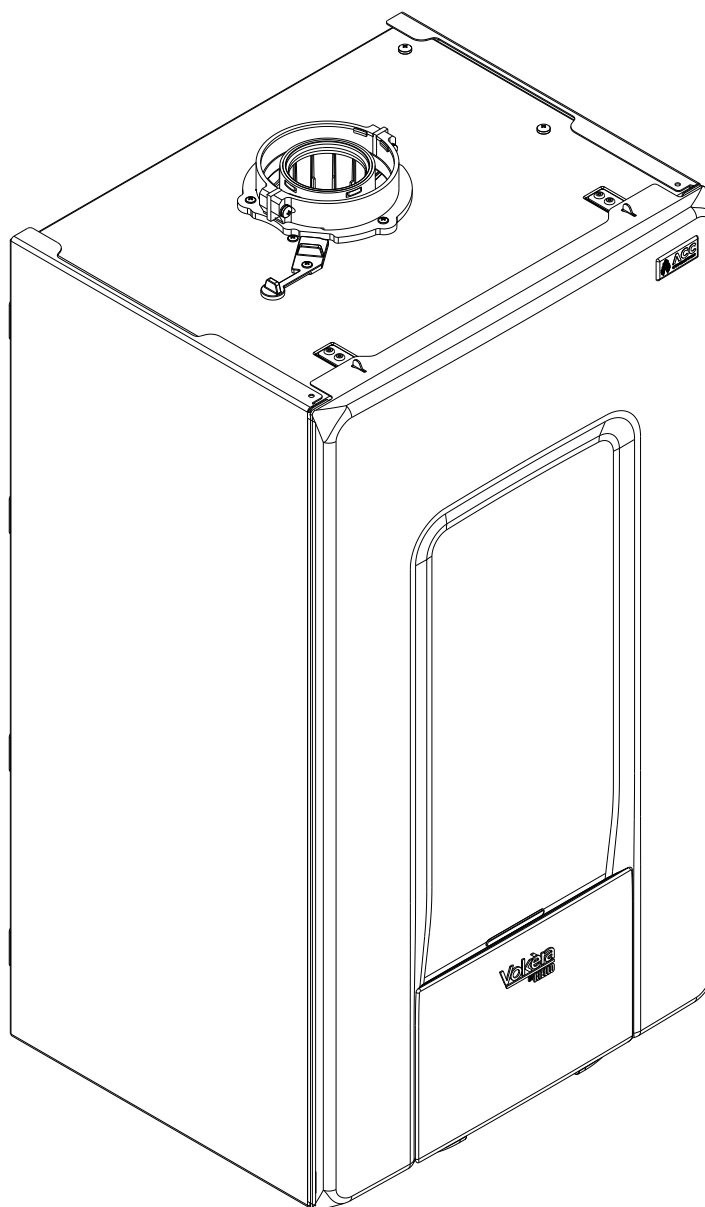
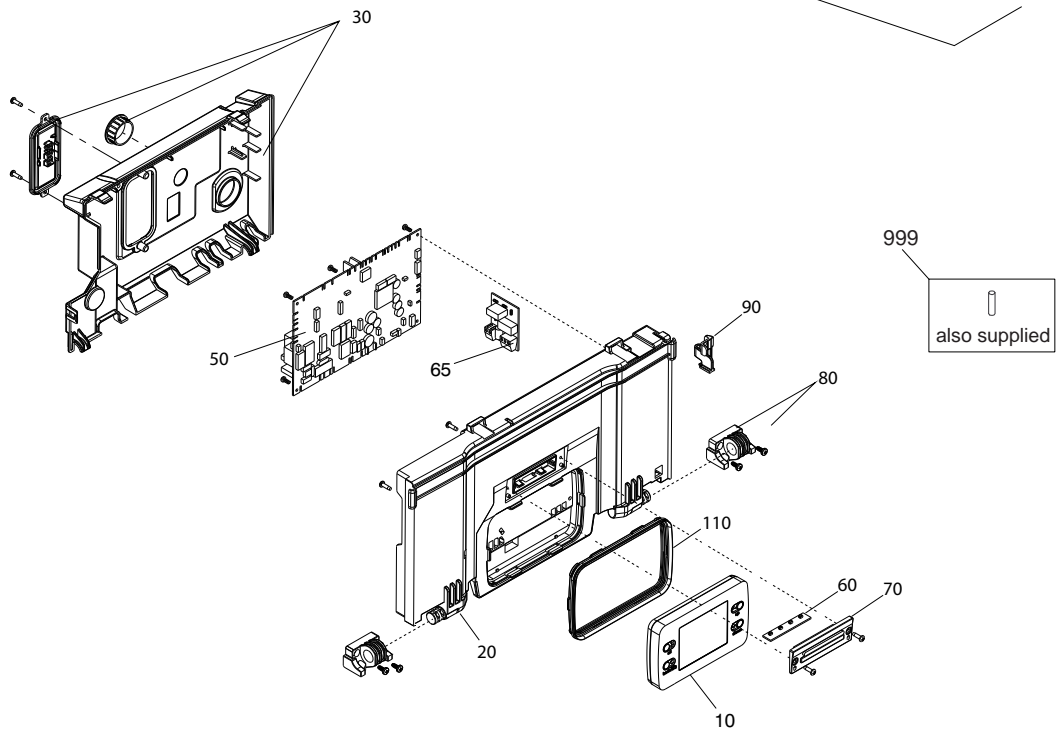
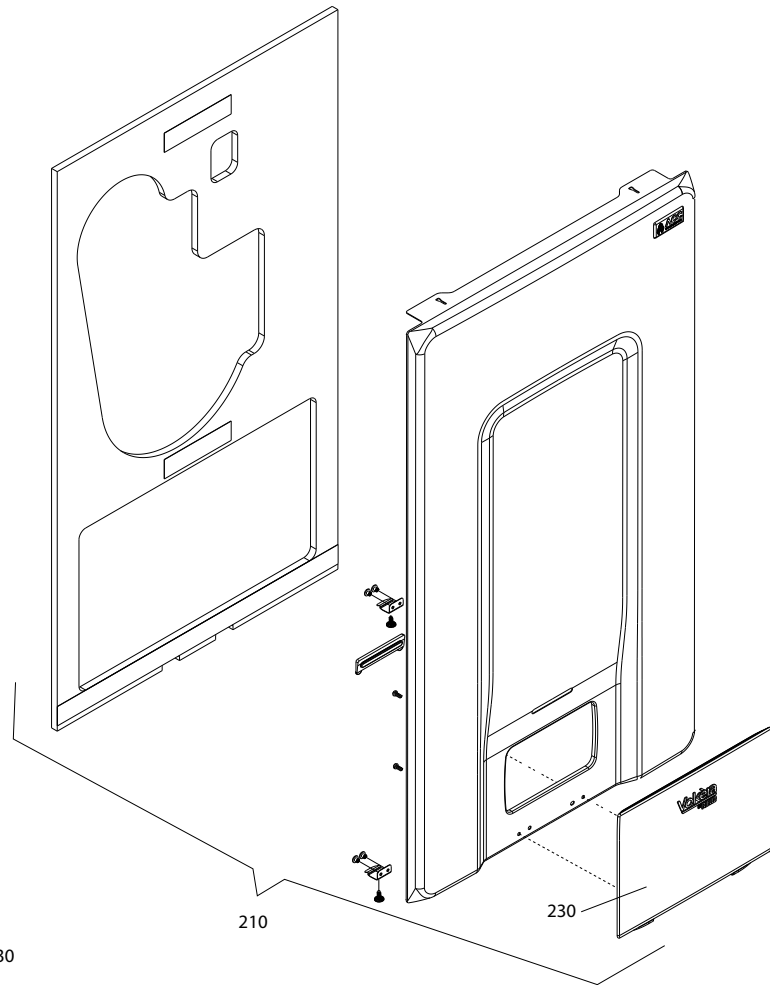


Wall hung boilers

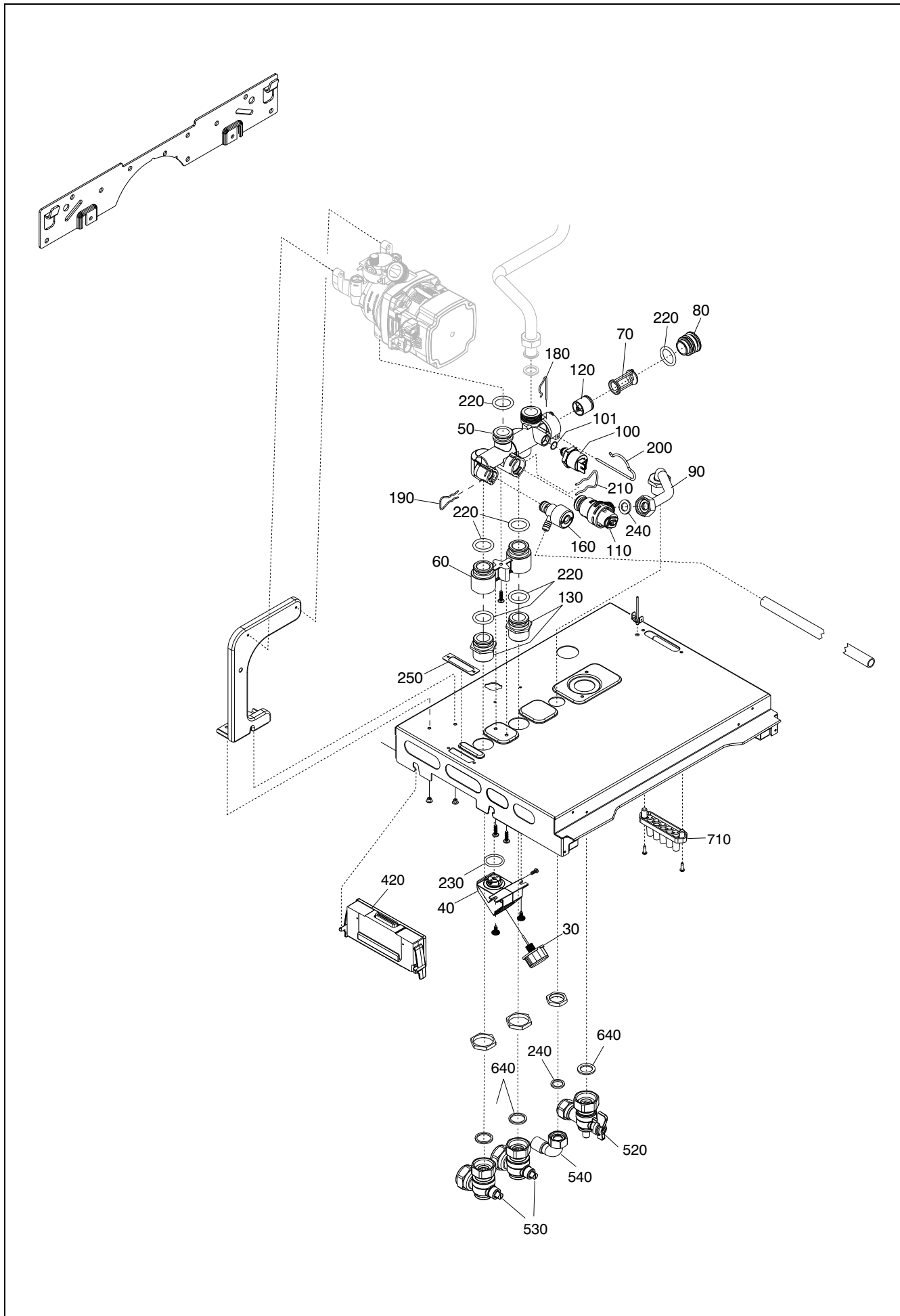
evolve



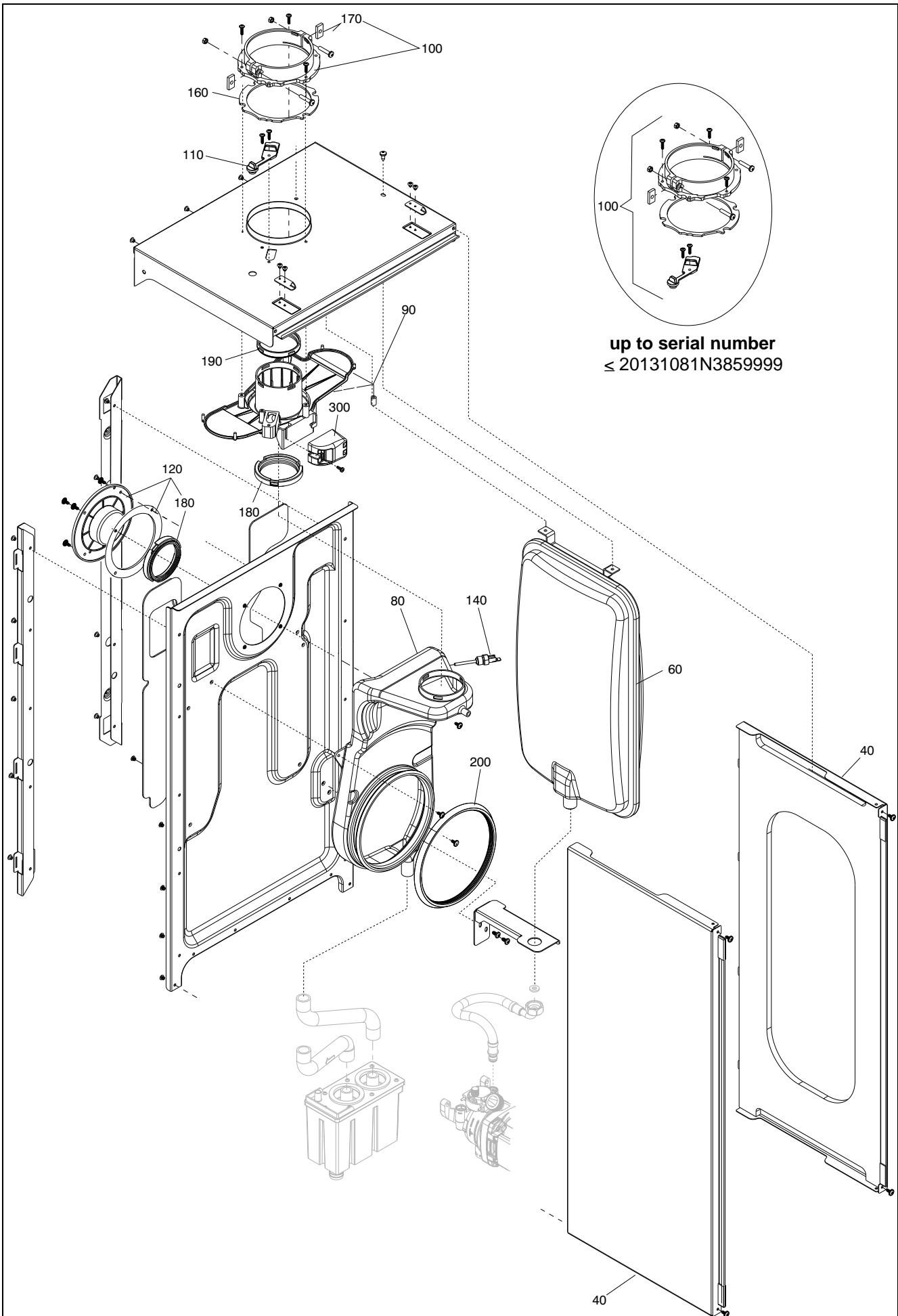
MODEL	PART NUMBER	
	MTN	GPL
evolve 30S	20131081	



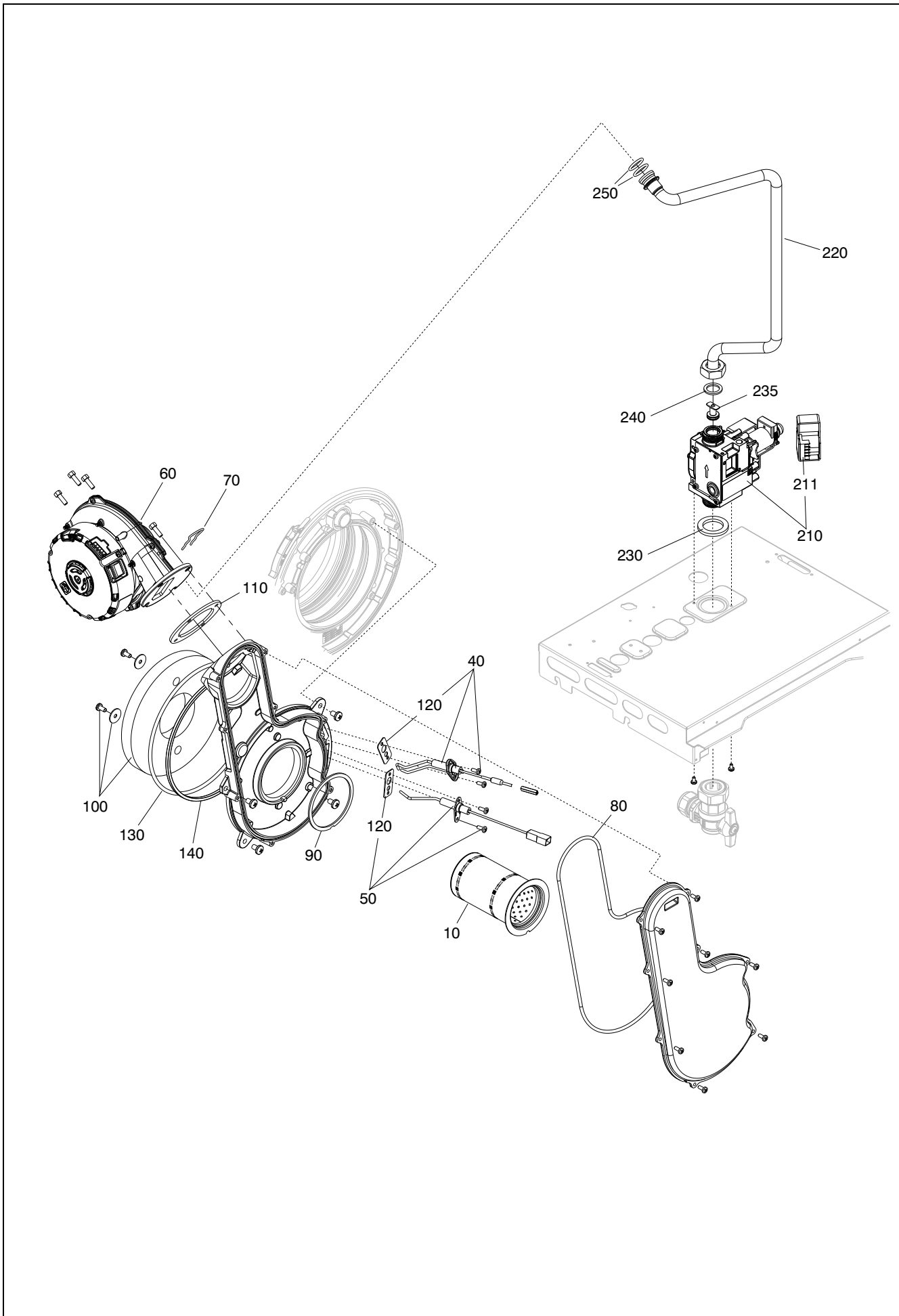
POS.	DESCRIPTION	30s
10	Remote control	20151684
20	Instrumental panel	20194432
30	Electric parts cover	20154281
50	Printed circuit board	20123226
60	Led pc board	20123243
65	Printed circuit board	20076436
70	led protection glass	20123237
80	Rolling hinge	20123231
90	Instrumental panel fastener	20123230
110	Shaped gasket	20123240
210	Front panel	20123262
230	Door panel	20132280
999	Fuse	R3478



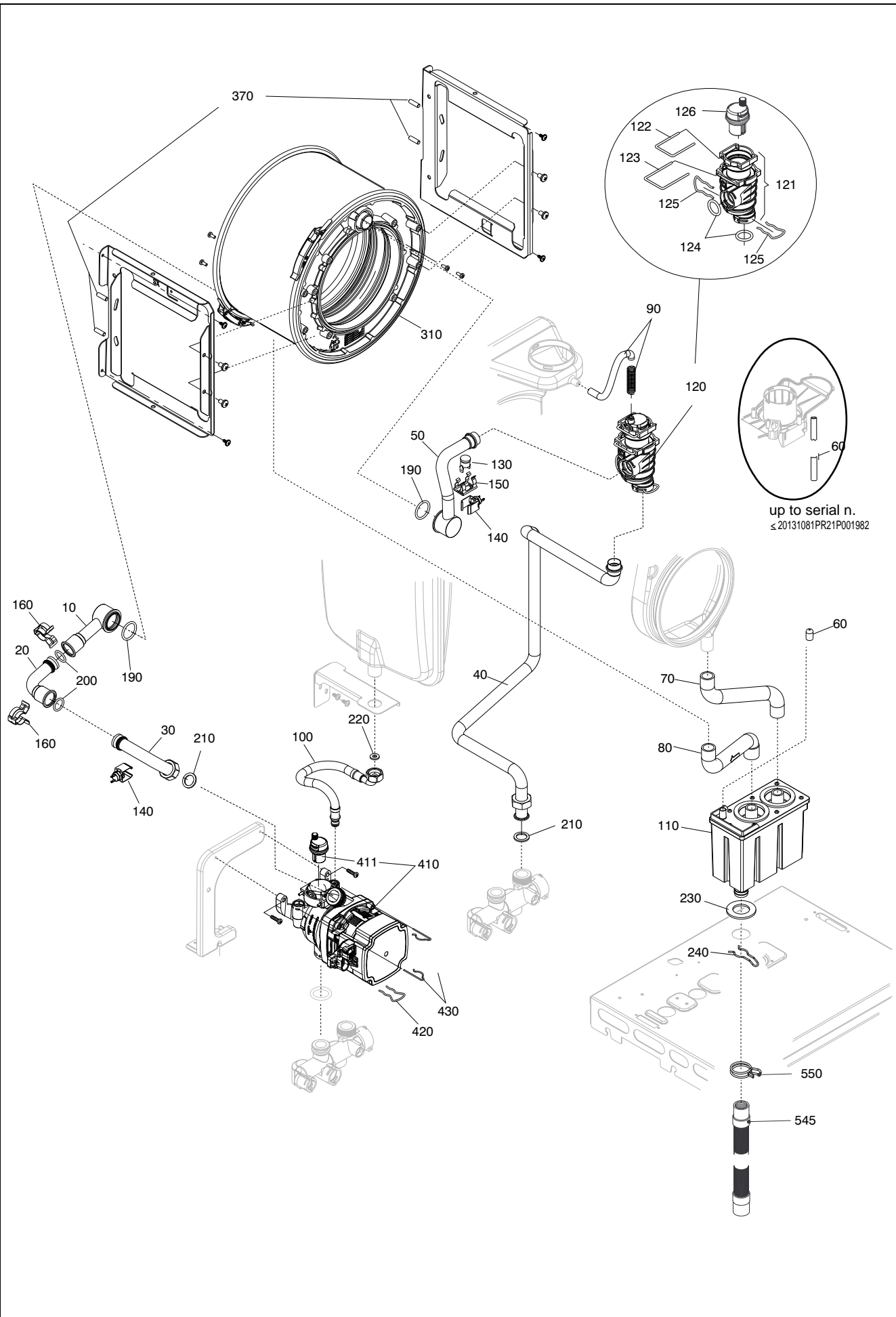
POS.	DESCRIPTION	30s
30	Quick primer pressure gauge	20049617
40	Water gauge carrier	20123121
50	Heating distrib.	20005568
60	Hydraulic connection	20130718
70	by-pass valve support	20068965
80	Automatic by-pass plug	R10024645
90	Pipe	20130719
100	Pressure transducer	20024559
101	O ring	R10026494
110	Safety valve	20043820
120	High head by-pass valve	R1552
130	Connection	20014074
160	Cock	20000533
180	Clip	R2165
190	Clip	20000539
200	Clip	R2223
210	Clip	R10025062
220	O ring	R6898
230	O ring	R10023533
240	Washer	R5026
250	Gasket	20123123
420	External utilities box	20123127
520	Heating cock (up to serial n. \leq 20131081M4150036)	20132650
520	Gas tap (from serial n. \geq 20131081M4150037)	20141319
530	Heat water cock	20132653
540	Angle pipe	20132654
640	Washer	R5023
710	Five positions fairlead	20123125



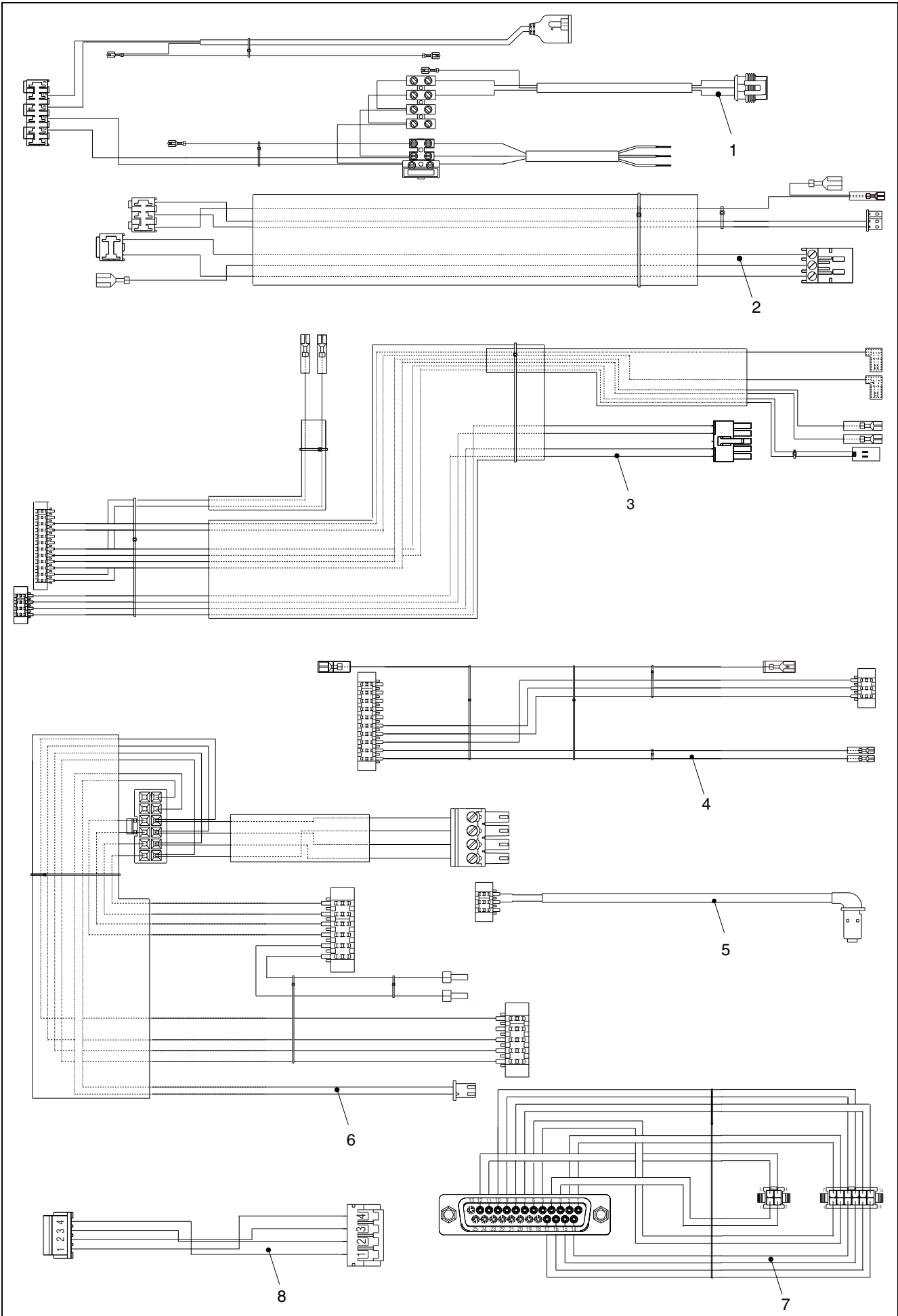
POS.	DESCRIPTION	30s
40	Side panel	20135296
60	9 lt. expansion tank	20135958
80	Conveyor	20123091
90	Fumes connection (up to serial n. ≤PR20131081PR21P001982)	20180037
90	Flue connection (from serial n. ≥ 20131081PR21P001983)	20184816
100	Fumes flange kit (up to serial n. ≤ 20131081N3859999)	20157135
100	Fumes flange (from serial n. ≥ 20131081N3950001)	20157132
110	Cap smoke analysis	20157134
120	Drain plug	20000118
140	Flue sensor	20007050
160	Flange gasket (up to serial n. ≤ 20131081N3859999)	20123096
160	Flange gasket (from serial n. ≥ 20131081N3950001)	20157133
170	Flange gasket	20123098
180	Washer Ø 60	R10028426
190	Washer Ø 60	R10026345
200	Washer Ø 160	20057889
300	Ignition transformer	20001563



POS.	DESCRIPTION	30s
10	Premix burner	20150557
40	Spark electrode	20123610
50	Sensing electrode	20123611
60	Fan with integrated mixer	20124073
70	Clip	R10025062
80	Gasket	20123153
90	Burner seal	20123154
100	Burner insulatin panel	20123157
110	Washer	R10026796
120	Electrode seal	20157555
130	Washer	20057878
140	Washer	20057872
210	Antisticking gas valve	20123161
211	Gas valve solenoid	20040675
220	Pipe	20137330
230	Gasket	20123159
235	6.0 Ø gas diaphragm	20151663
240	Washer	R5023
250	Washer	20024869



POS.	DESCRIPTION	30s
10	Pipe	20123195
20	Pipe	20123196
30	Pipe	20123194
40	Pipe	20137329
50	Pipe	20123186
60	Pipe (up to serial n. ≤SPR20131081PR21P001982)	R10028481
60	Plug (rom serial n. ≥ 20131081PR21P001983)	20081059
70	Condensation outlet tube	20132108
80	Condensation outlet tube	20132109
90	Degasser-conveyor connection	20123119
100	Pipe	R10025188
110	Condensate reservoir	R10028405
120	Degasser valve assembly	20123449
121	Degasser kit	20032553
122	Clip	20120828
123	Clip	20019767
124	O-ring	R6898
125	Clip	R10024958
126	Air vent valve	20147535
130	High limit thermostat	20005585
140	NTC Detector	20078350
150	Clip	R5472
160	Clip	20024086
190	O ring	R10026324
200	O ring	20000131
210	Washer	R5023
220	Washer	R5026
230	Washer	R10027193
240	Clip	R2588
310	12.5 condensing exchanger	20137038
370	Hexagonal socket	20137452
410	6m. pump	20136316
411	Air vent bottle	R10025485
420	Clip	R10025062
430	Clip	R2165
545	Condensation outlet tube	20100816
550	Hose clamp	20152306



POS.	DESCRIPTION	30s
1	Power wiring harness	20132111
2	Ignition cable	20132114
3	Combustion cable	20154616
4	Low tension cable	20130428
5	Pump cable (PWM)	20132112
6	Wiring harness	20135598
7	D-SUB 25 way connection wiring	20163798
8	Wiring harness	20124832

Rev.	data	Descrizione
1.0	13/11/2017	E00120170542 : idrometro capillare rame E00120170440 : rubinetto gas e tubo flessibile (con gestione matricola)
2.0	07/05/2018	E00120180228 : bruciatore premix – E00120180047 : profilo di tenuta E00120180111 : valvola sfogo aria – E00120170713 : controllo remoto aggiunto codice diaframma valvola gas – aggiunto codice fascetta stringitubo
3.0	16/10/2018	aggiunta guarnizione elettrodo tavola 4 pos.120 – E00120180553 : cablaggio combustione E00120180135 : copertura parti elettriche ,cruscotto E00120180453 : flangia fumi, guarnizione, tappo presa analisi (con gestione matricola)
4.0	15/03/2019	adeguato disegno valvola sicurezza tav. 2 pos. 110 E00120180854 : cablaggio connessioni D-SUB 25 vie
5.0	20/10/2020	E00120200102: sostituzione racc. scarico fumi
6.0	25/10/2021	E00120210353: cruscotto



Vokera reserve the right to change the specifications without prior notice.
Consumers' statutory rights are not affected.