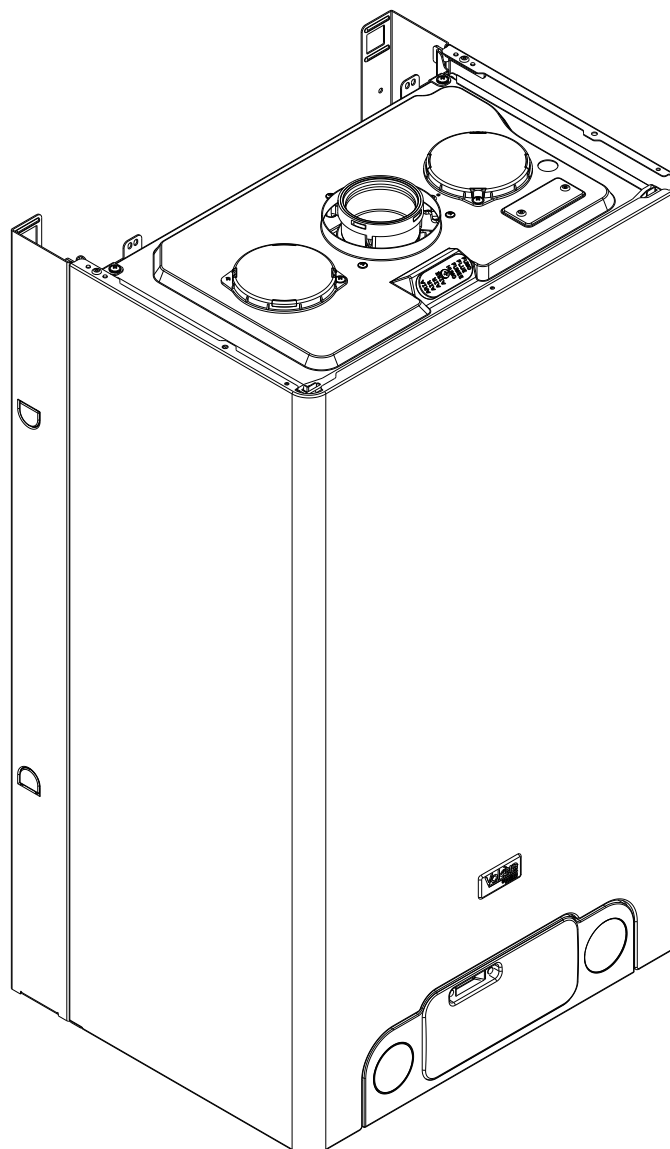
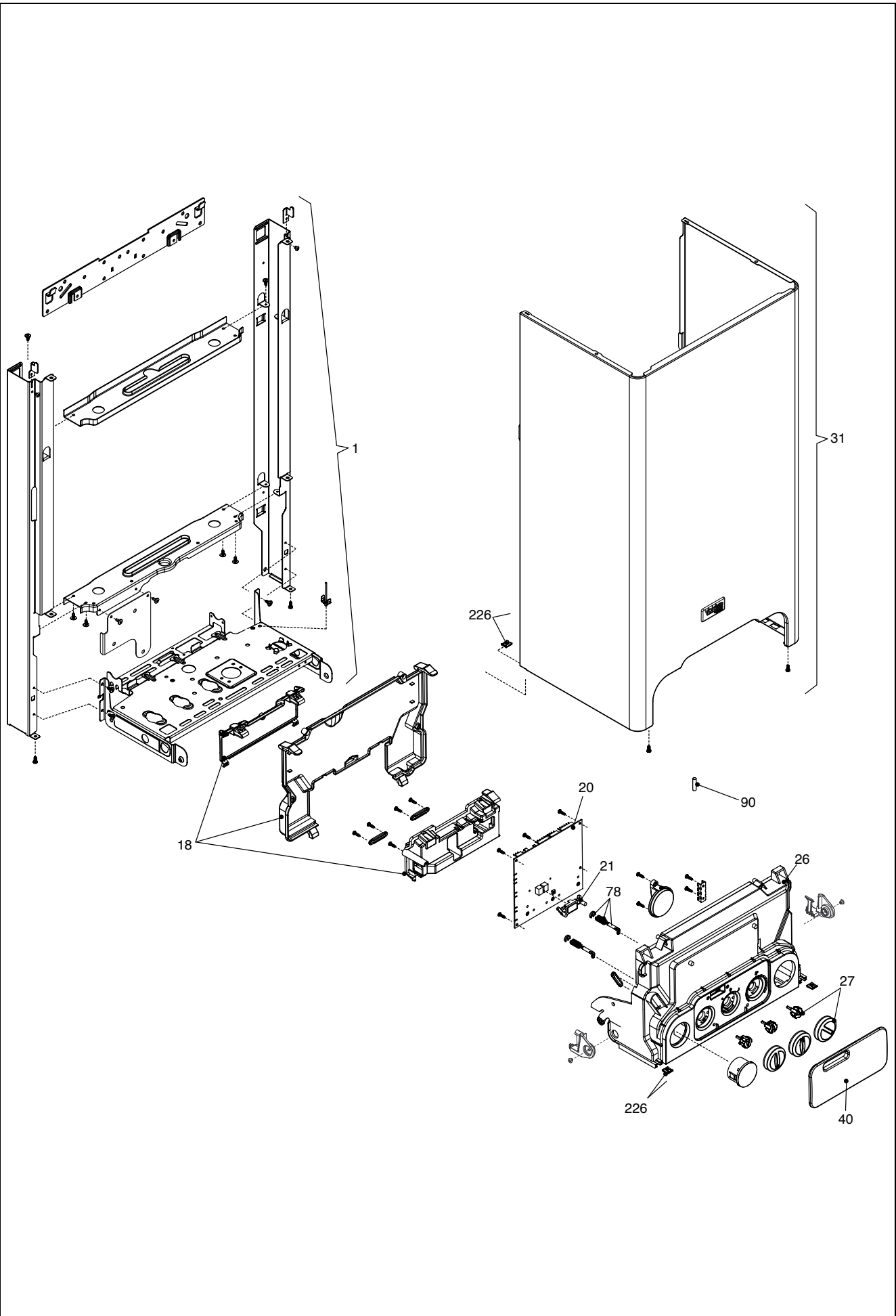


Wall hung boilers

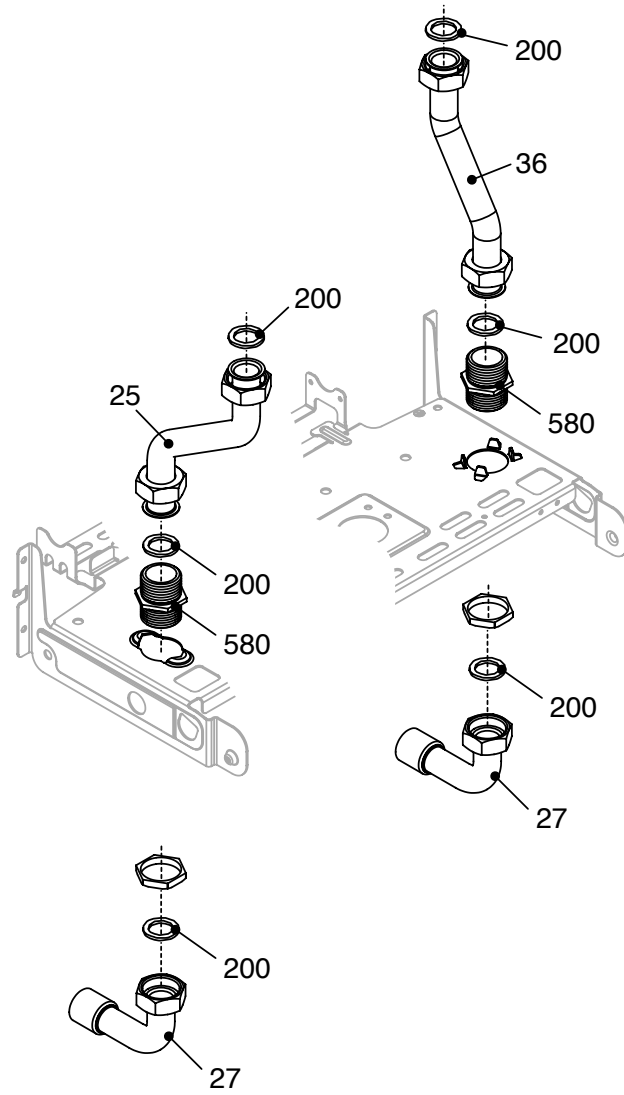
Mynute 20 VHE



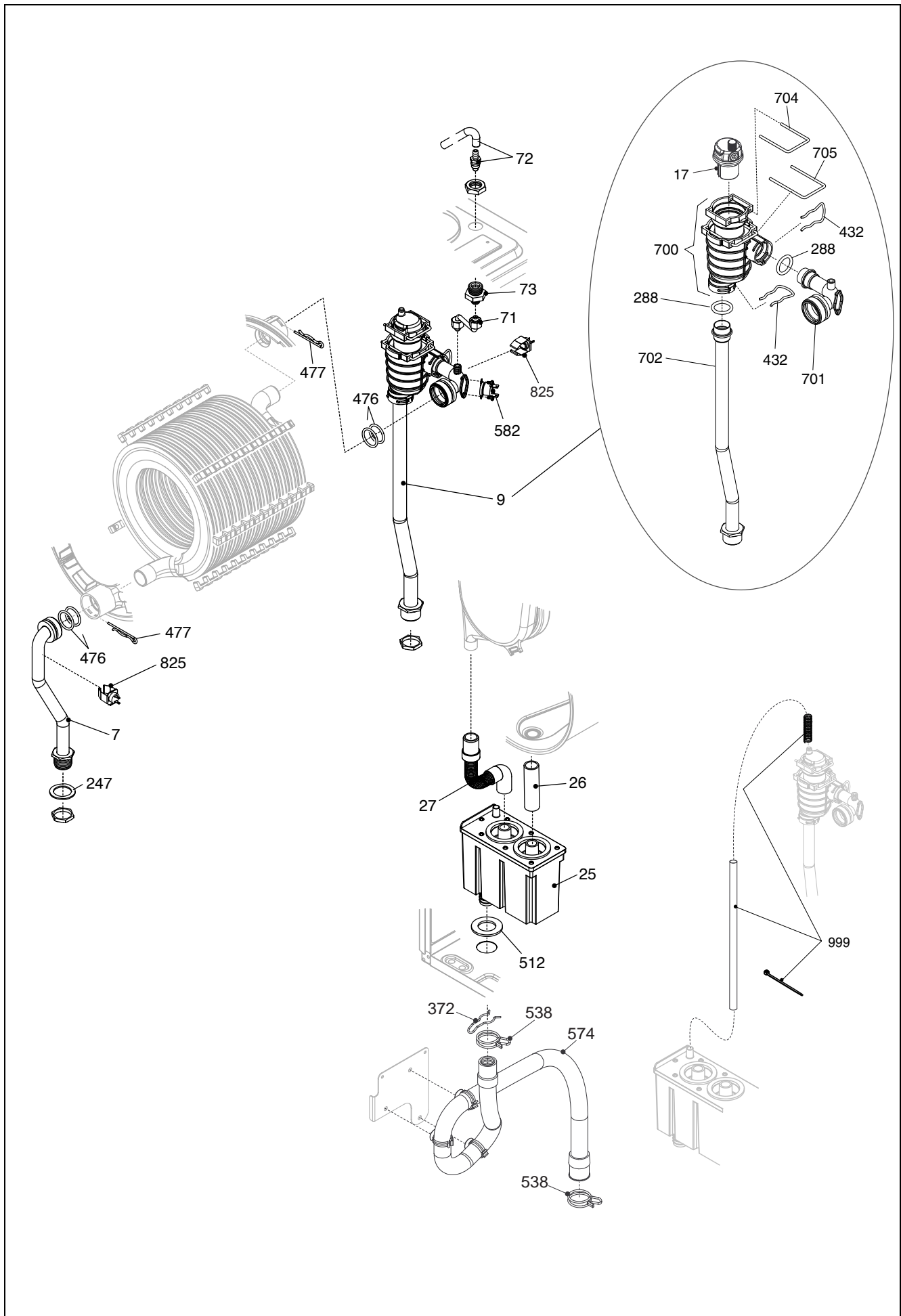
MODEL	PART NUMBER	
	MTN	GPL
Mynute 20 VHE	20144035	-



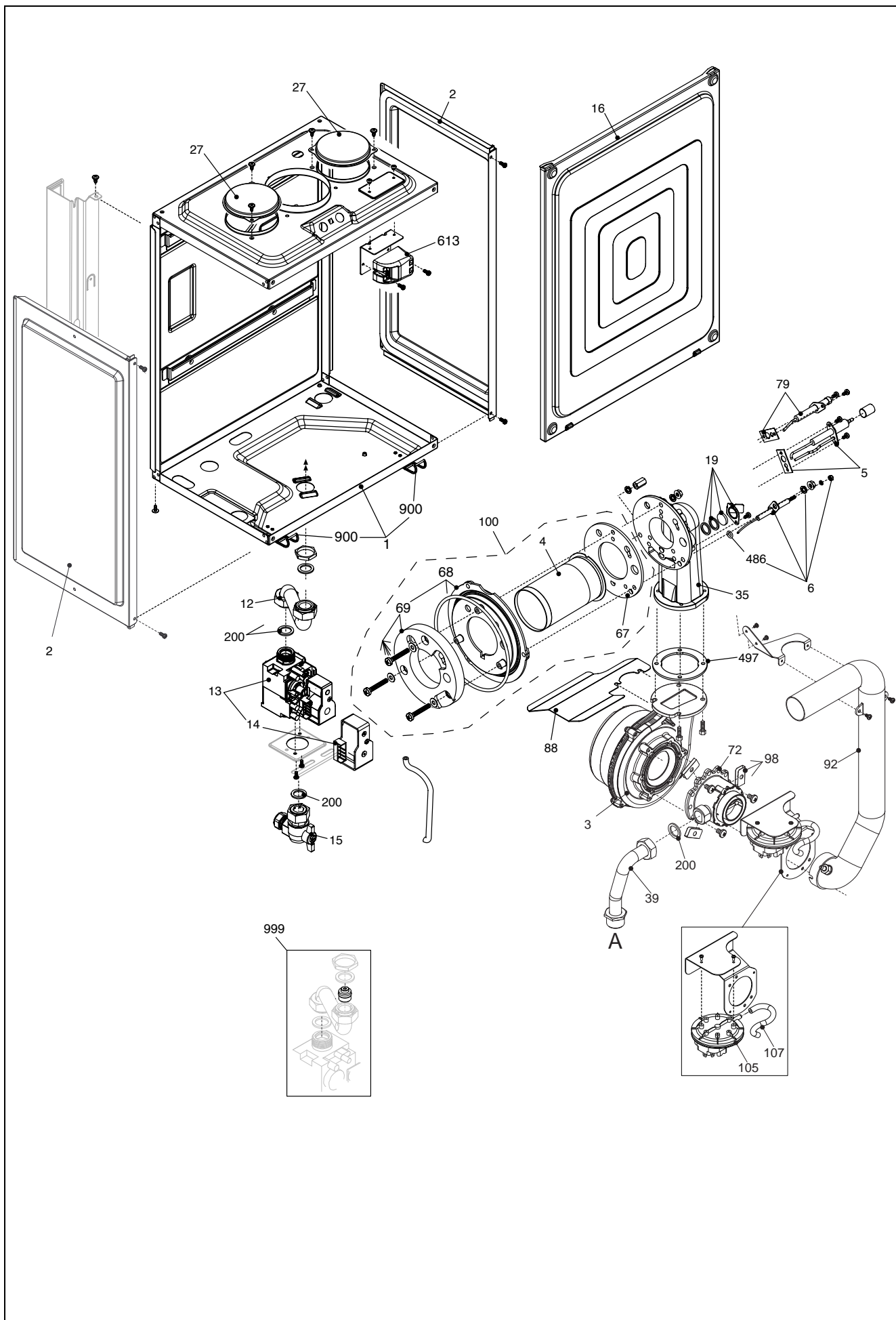
POS.	DESCRIPTION	20
1	Frame assembly	20153687
18	Cover assembly	R10028554
20	PC board	20153683
21	Led light guide	R10028557
26	Instrumental panel	20107154
27	Knob assembly	R10028559
31	Case Assembly	R01005497
40	Door panel	R10030136
78	Control panel hinge	R01005442
90	Fuse	R3478
226	Clip	R5128



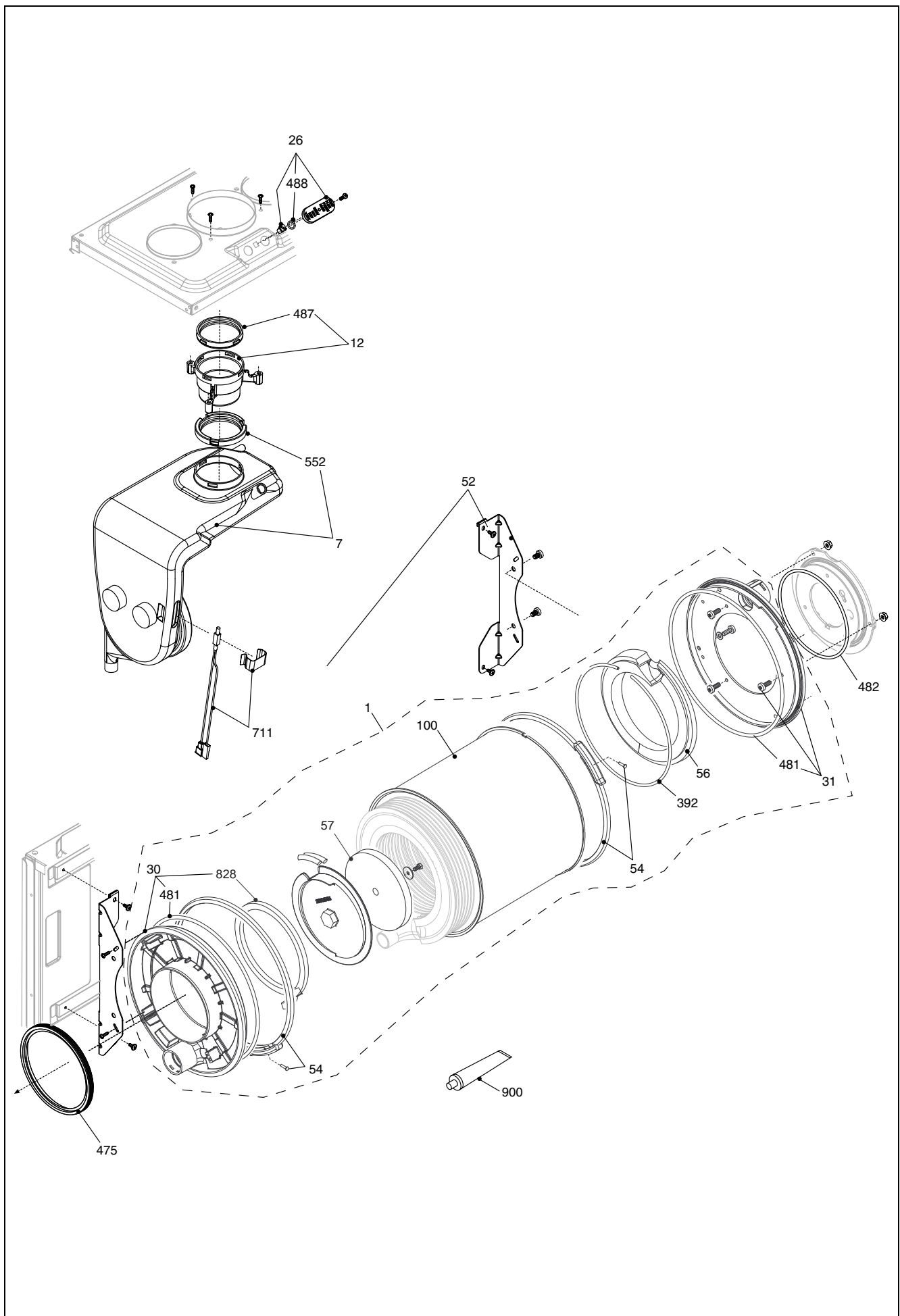
POS.	DESCRIPTION	20
25	Pipe	R10029590
27	Pipe	R10029592
36	Pipe	R10029591
200	Washer	R5023
580	Connection M 3/4 - 3/4	R10029526



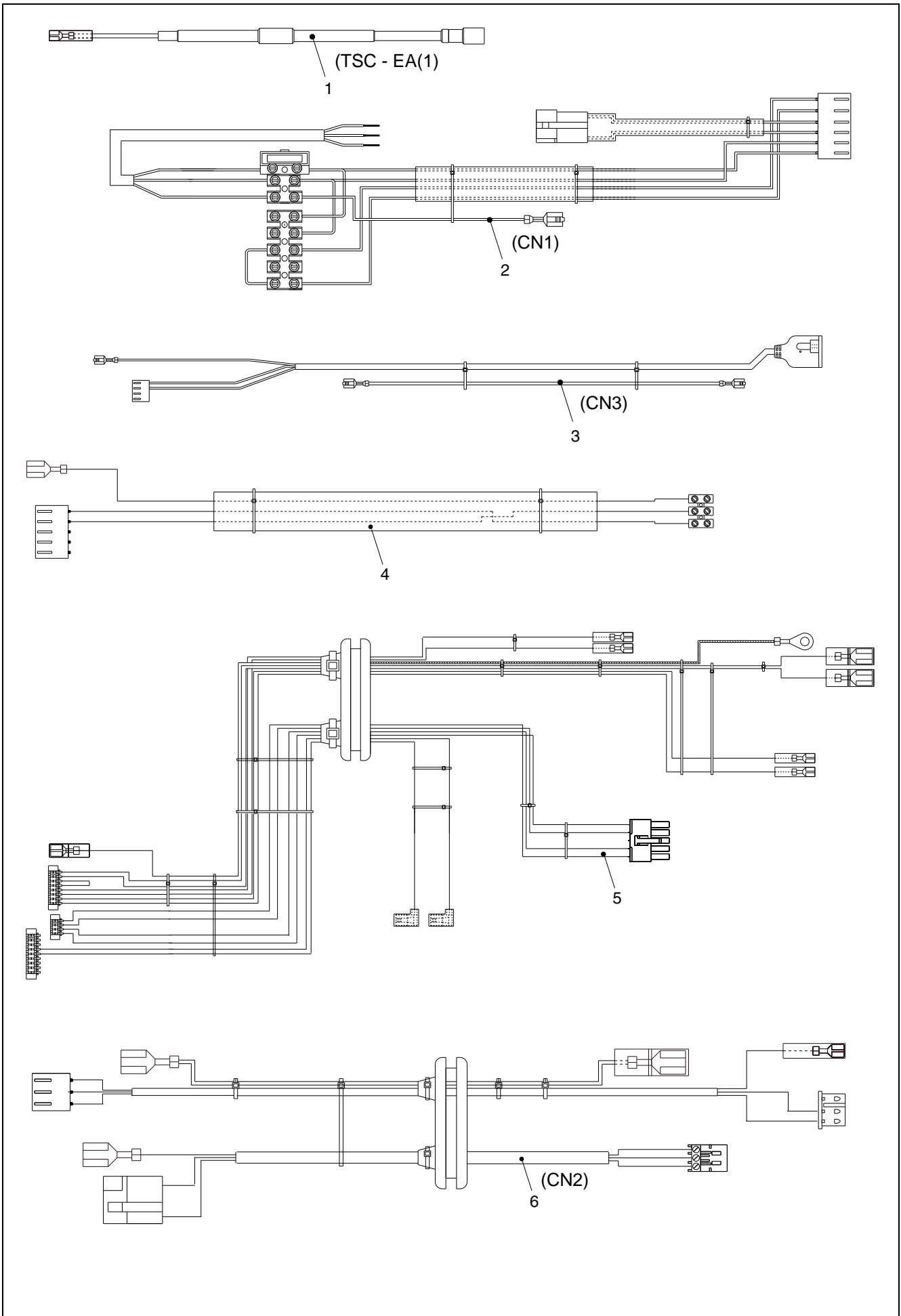
POS.	DESCRIPTION	20
7	Pipe	R10026267
9	Kit degasser + tube	20020182
17	Air vent valve	20147535
25	Condensate reservoir	R10028405
26	Flexible pipe	R10028540
27	Flexible pipe	R10027192
71	Pipe	20020181
72	Vent plug	R10023235
73	Cock	R10028431
247	Washer	R5203
288	O-ring	R6898
372	Clip	R2588
432	Clip	R10024958
476	O ring	R10026324
477	Split pin	R10026269
512	Washer	R10027193
538	Hose clamp	20152306
574	Condensation outlet tube	20153685
582	Thermostat	R9695
700	Degasser kit	20032553
701	Pipe	20019764
702	Pipe	20020180
704	Clip	20019767
705	Clip	20120828
825	NTC Detector	20078350
999	Degasser connection assembly	20096793



POS.	DESCRIPTION	20
1	Roomsealed chamber	R10028341
2	Air chamber side	R10026231
3	Fan	20002995
4	Burner	20089097
5	Spark / ignition electrode	R10027620
6	Condense electrode	R10026316
12	Gas pipe	R10029607
13	Gas valve	20039202
14	Gas valve solenoid	20040675
15	3/4" gas cock	R10020897
16	Air chamber access panel	20069007
19	Burner observation port kit	R10026328
27	Hole cover	20005586
35	Air/gas manifold	R10028420
39	Gas pipe	20038369
67	Washer	R10026322
68	Flange	20046837
69	Protection	20046839
72	Mixer	20024563
79	Flame sensor	R10028422
88	Blower heat shield	20006411
92	Suction pipe	20145210
98	Spacer	20036990
100	Burner assembly	20038371
105	Differential pressure switch	20145198
107	Silicone pipe	20153225
200	Washer	R5023
486	O ring	R10026325
497	Washer	R10026796
613	Ignition transformer	20202286
900	Clips	20061168
999	NG conversion kit	20028548
999	LPG conversion kit	20028555



POS.	DESCRIPTION	20
1	Condensing exchanger	20015926
7	Conveyor	20008306
12	Flue drain connection	R10028421
26	Cap smoke analysis	20089999
30	Flange assembly	20101331
31	Burner flange	20047807
52	Bracket assembly	20101332
54	Ring closing	20047811
56	Insulation panel	20047812
57	Tryton retarder	20036537
100	Container exchanger	20048269
392	Washer	20047819
475	Outlet heat exch.seal gasket	R10026323
481	Washer	20047802
482	Inlet heat exch.seal gasket	R10026366
487	Washer Ø 60	R10026345
488	O-ring	R10026494
552	Washer Ø 60	R10028426
711	High limit	20001564
828	Washer	20095796
900	Tube sealant	20047820



POS.	DESCRIPTION	20
1	Spark electrode cable	R10026558
2	Power wiring harness	R10028596
3	Gas valve cable	R10028599
4	Wiring harness	R10029722
5	Combustion cable	20153684
6	Ignition cable	20001560

Rev	Data	Descrizione
1.0	02/09/2022	e00120220346: trasformatore



Vokera reserve the right to change the specifications without prior notice.
Consumers' statutory rights are not affected.