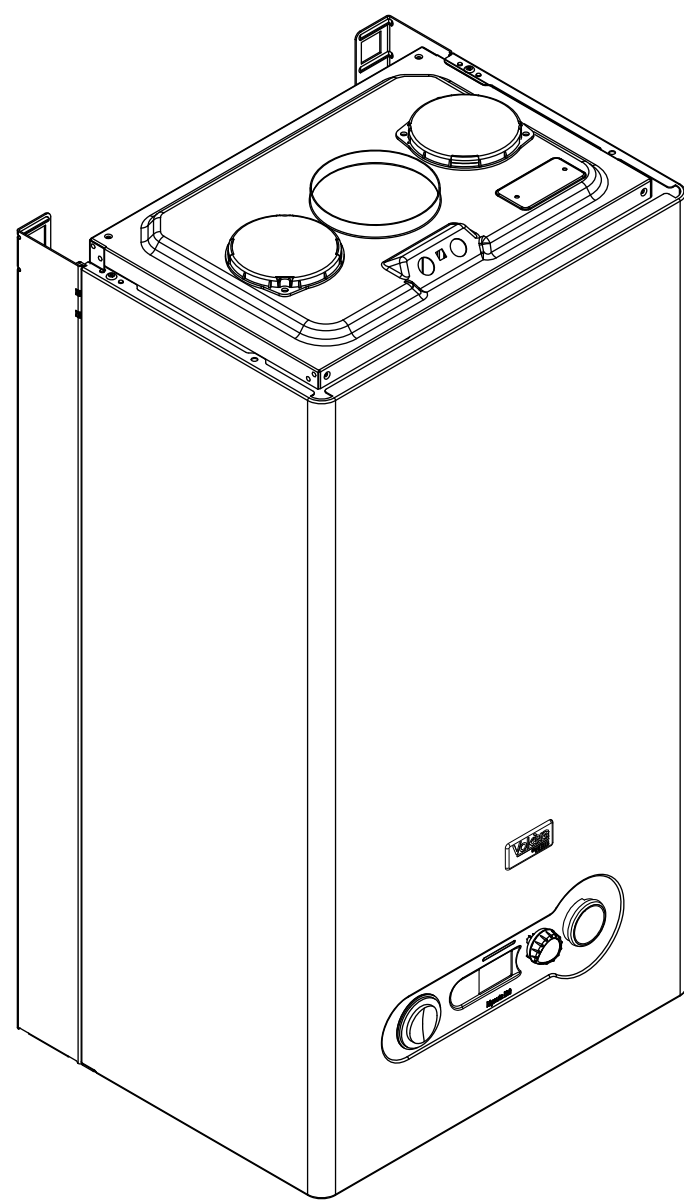
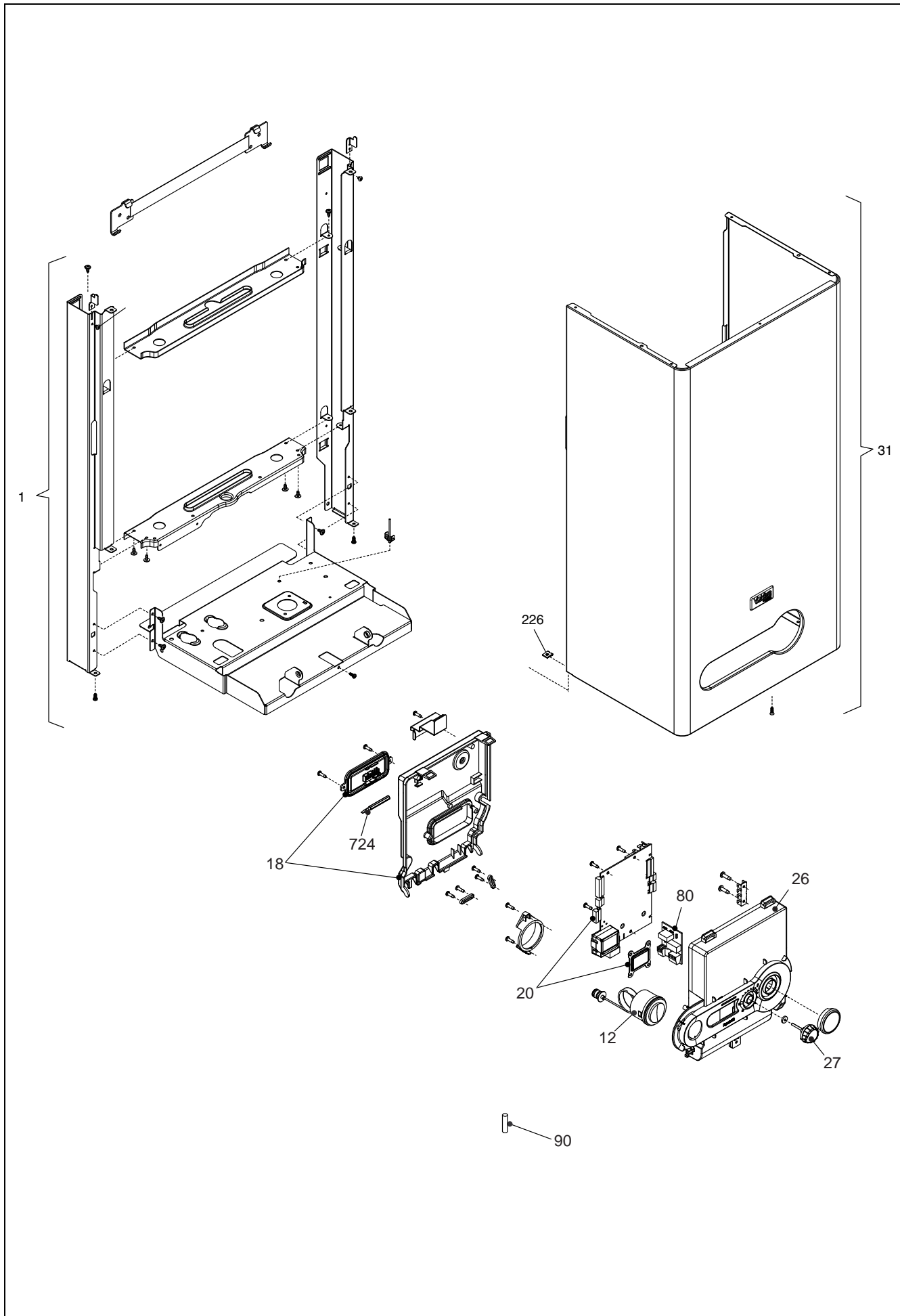


Wall hung boilers

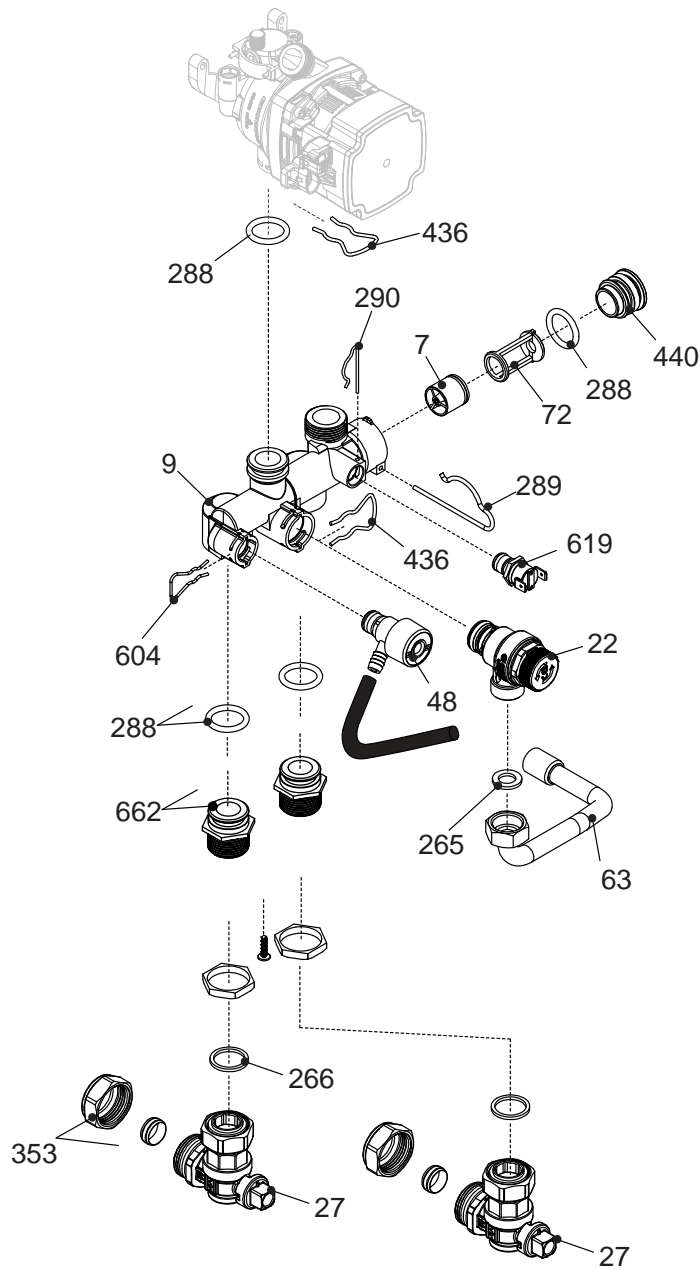
Mynute i20



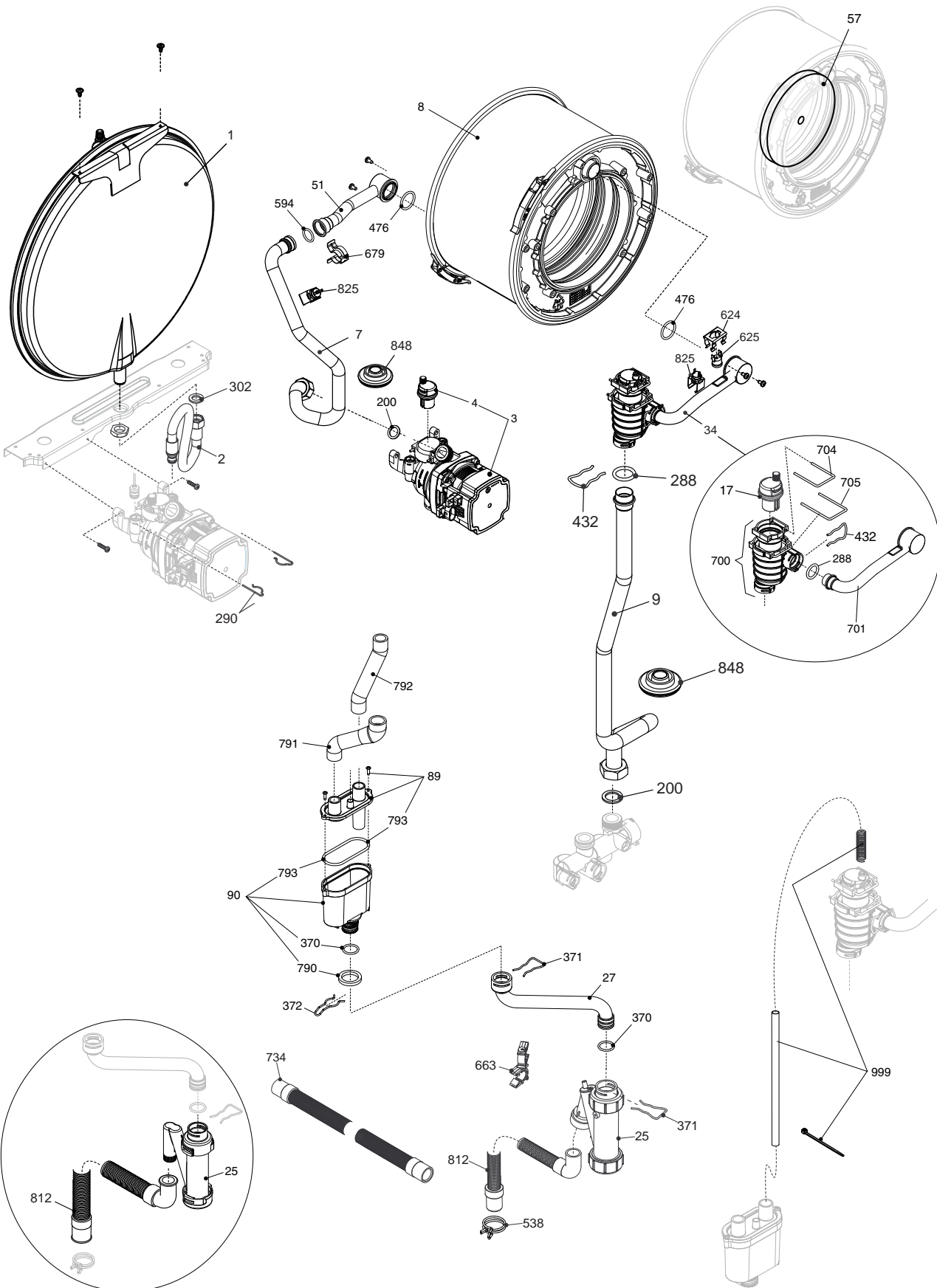
MODEL	PART NUMBER	
	MTN	GPL
Mynute i20	20101253	-



POS.	DESCRIPTION	i20
1	Frame assembly	20087361
12	Pressure gauge	20042115
18	Control panel cover	20101178
20	Printed circuit board (up to serial n. \leq 20101253N1450192)	20071334
20	Printed circuit board (from serial n. \geq 20101253N1450193)	20145178
26	Instrumental panel	20104982
27	Knob	20057330
31	Case Assembly	20076893
80	Printed circuit board	20076436
90	Fuse	R3478
226	Clip	R5128
724	Calibration screwdriver	R2455

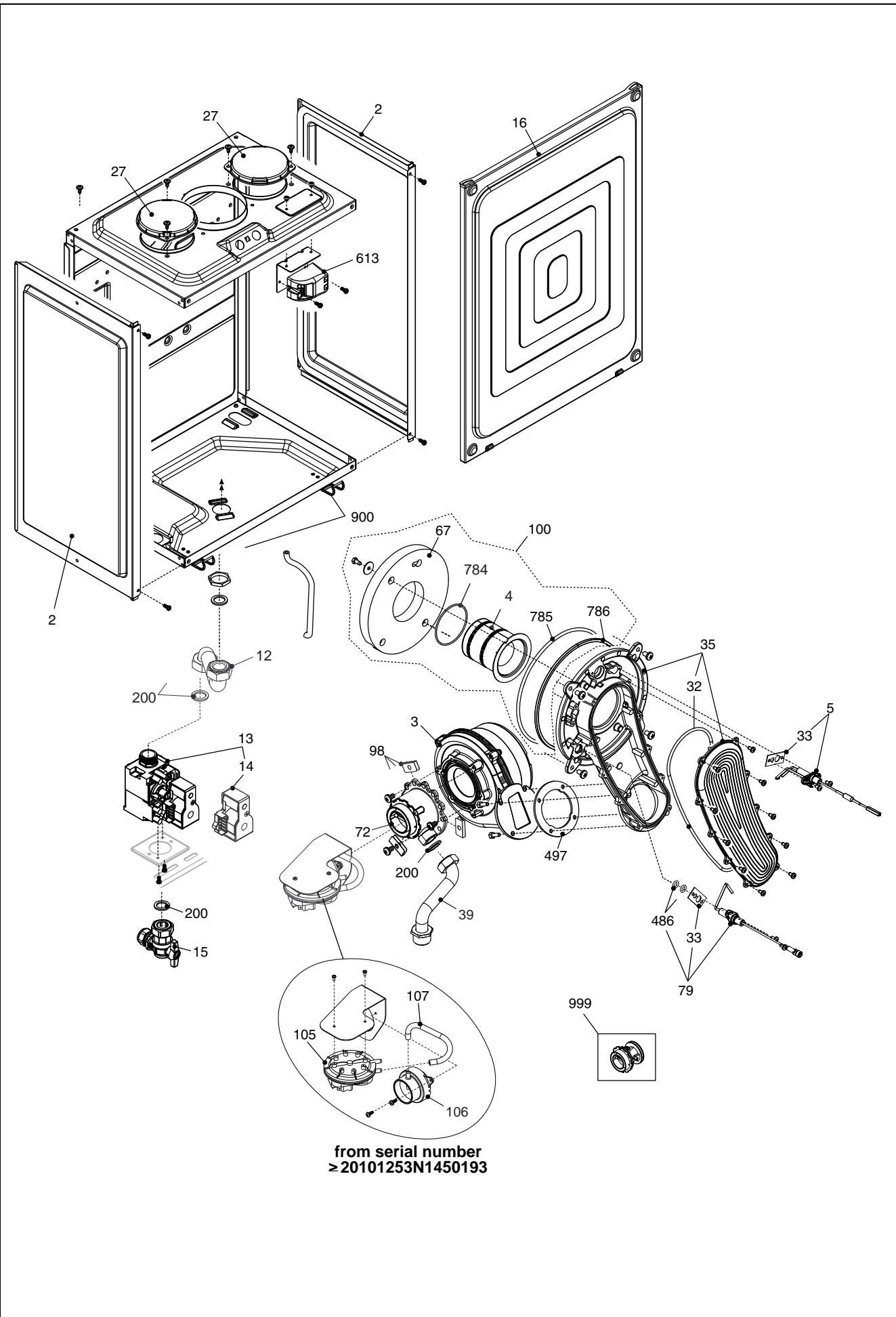


POS.	DESCRIPTION	i20
7	By-pass valve	R1552
9	Heating distrib.	20005568
22	Safety valve	20043820
27	Heating cock	R1789
48	Cock	20000533
63	Pipe	20035609
72	by-pass valve support	20068965
265	Washer	R5236
266	Washer	R5237
288	Ring	R6898
289	Clip	R2223
290	Clip	R2165
353	Nut	R1824
436	Clip	R10025062
440	Automatic by-pass plug	R10024645
604	Clip	20000539
619	Pressure	20003181
662	Connection	20014074

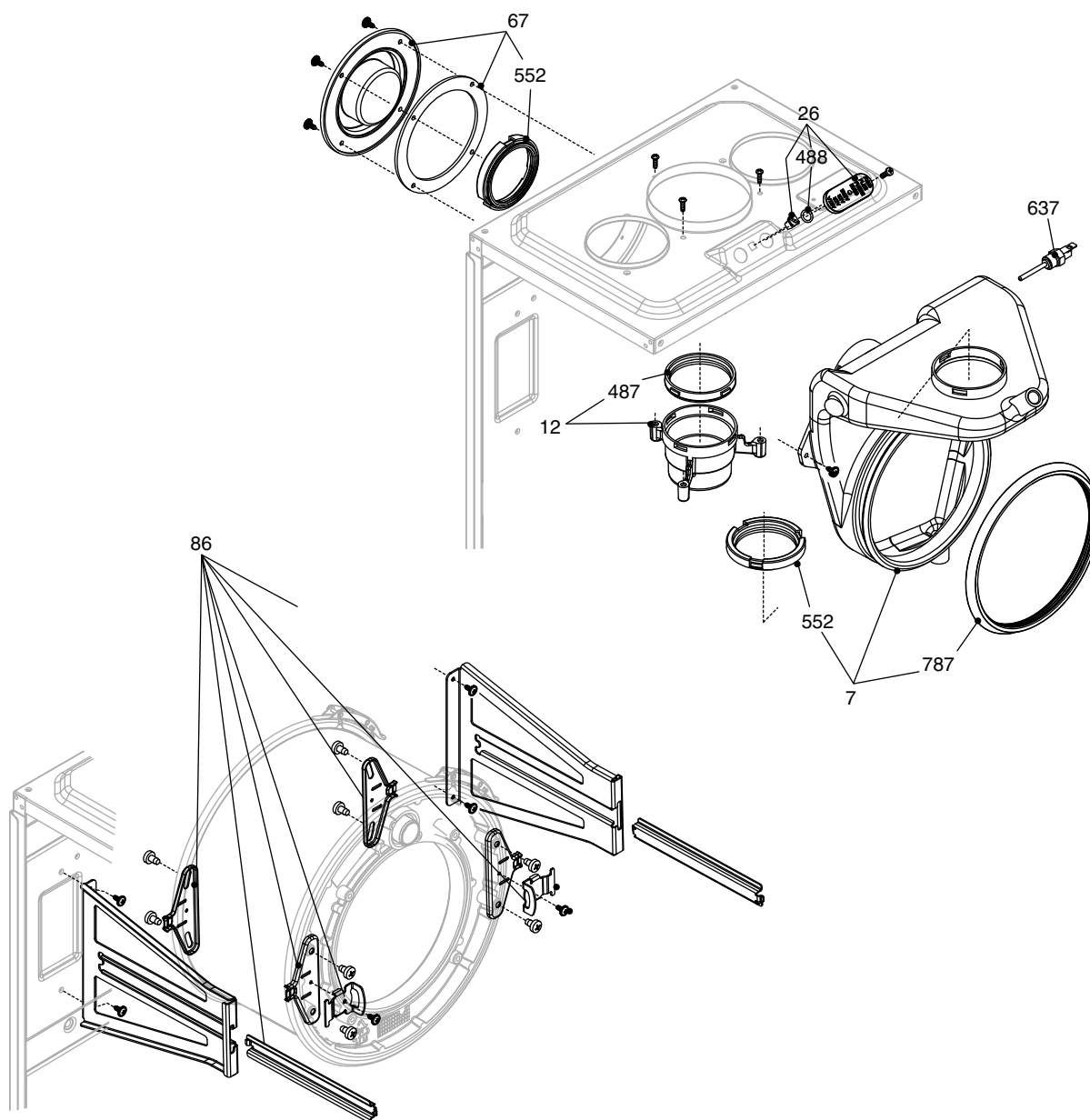


up to serial number
≤ 20101253N1450192

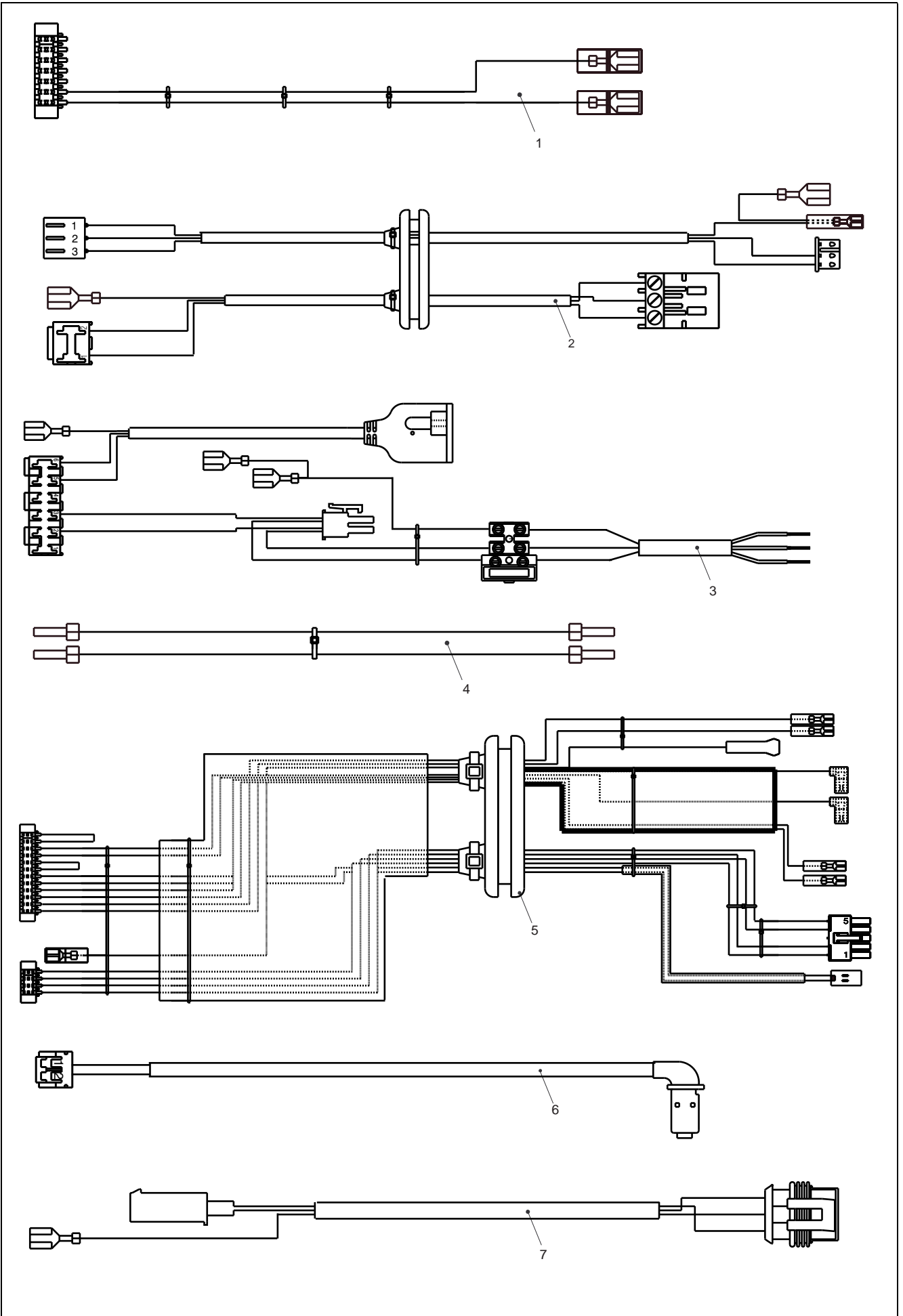
POS.	DESCRIPTION	i20
1	Expansion vessel	R10028535
2	Pipe	R10028603
3	6m. pump	20136316
4	Air vent bottle	R10025485
7	Pipe	20099544
8	Condensing exchanger assembly	20125237
9	Pipe	20104985
17	Air vent valve	20147535
25	Condensation drainage syphon (up to serial n. ≤ 20101253N1450192)	20025733
25	Condensation drainage syphon (from serial n. ≥ 20101253N1450193)	20155759
27	Condensation outlet tube	20025743
34	Kit degasser + tube	20099548
51	Pipe	20057866
57	Retarder insulating panel	20086269
89	Siphon cover	20063464
90	Siphon	20063463
200	Washer	R5023
288	O-ring	R6898
290	Clip	R2165
302	Washer	R5025
370	O-ring	R10023533
371	Clip	R10023532
372	Clip	R2588
432	Clip	R10024958
476	O ring	R10026324
538	Hose clamp	20152306
594	O ring	20000131
624	Clip	R5472
625	High limit thermostat	20005585
663	Cable holder	20014197
679	Clip	20024086
696	O ring	20028744
700	Degasser kit	20032553
701	Pipe	20067580
704	Clip	20019767
705	Clip	20120828
734	Flexible pipe (from serial n. ≥ 20101253N1450193)	R10026272
790	O-Ring	20063468
791	Condensation outlet tube	20063466
792	Condensing pipe	20063467
812	Condensation outlet tube (up to serial n. ≤ 20101253N1450192)	20076889
812	Condensing pipe (from serial n. ≥ 20101253N1450193)	20010331
825	NTC Detector	20078350
848	Fairlead	20099541
999	Degasser connection assembly	20096202



POS.	DESCRIPTION	i20
2	Air chamber side	R10026231
3	Fan	20002995
4	Premix burner (up to serial n. ≤ 20101253N1450192)	20087380
4	Premix burner (from serial n. ≥ 20101253N1450193)	20087379
5	Ignition electrode (up to serial n. ≤ 20101253N1450192)	20072076
5	Spark electrode (from serial n. ≥ 20101253N1450193)	20119995
12	Gas pipe	R10028423
13	Gas valve	20039202
14	Gas valve solenoid	20040675
15	3/4" gas cock	R10020897
16	Air chamber access panel	20069007
27	Hole cover	20005586
32	Washer	20057870
33	Washer	R8896
35	Air/gas manifold	20057885
39	Gas pipe	20067581
67	Washer	20057858
72	Mixer (up to serial n. ≤ 20101253N1450192)	20087378
72	Mixer (from serial n. ≥ 20101253N1450193)	20067579
79	Sensing electrode	20119996
98	Spacer	20036990
100	Burner assembly (up to serial n. ≤ 20101253N1450192)	20072078
100	Burner assembly (from serial n. ≥ 20101253N1450193)	20057887
105	Differential pressure switch (from serial n. ≥ 20101253N1450193)	20143726
106	Inlet with pressure intake (from serial n. ≥ 20101253N1450193)	20143722
107	Silicone tube (from serial n. ≥ 20101253N1450193)	20143725
200	Washer	R5023
486	O ring	R10026325
497	Washer	R10026796
613	Ignition transformer	20001563
784	O-Ring	20057871
785	Washer	20057878
786	Washer	20057872
900	Clips	20061168
999	Ng conversion kit (up to serial n. ≤ 20101253N1450192)	20087173
999	Ng conversion kit (from serial n. ≥ 20101253N1450193)	20069587
999	LPG conversion kit (up to serial n. ≤ 20101253N1450192)	20087176
999	Lpg conversion kit (from serial n. ≥ 20101253N1450193)	20069593



POS.	DESCRIPTION	i20
7	Conveyor	20057880
12	Flue drain connection	R10028421
26	Cap smoke analysis	20089999
67	Top flue outlet blanking cap	20057882
86	Bracket-kit	20057896
487	Washer Ø 60	R10026345
488	O ring	R10026494
552	Washer Ø 60	R10028426
637	Flue sensor	20007050
787	Washer Ø 160	20057889



POS.	DESCRIPTION	i20
1	Low tension cable	20035502
2	Ignition cable	20057874
3	Power wiring harness	20069549
4	Wiring harness	20076437
5	Combustion cable (up to serial n. \leq 20101253N1450192)	20076890
5	Combustion cable (from serial n. \geq 20101253N1450193)	20145282
6	Pump cable	20100812
7	Pump cable	20104984

Rev.	Data	Descrizione
1.0	15/06/2015	Aggiunto pannello isolante retarder scambiatore – Aggiunte trasformazioni gas
2.0	11/04/2016	Inserita nuova tavola per gestione disegni cablaggi elettrici E00120150485 : pannelli fonoassorbenti – E00120160178 : elettrodi
3.0	14/12/2016	E00120160412 : scambiatore condensante – Aggiunta molletta fissaggio tappo degasat.
4.0	15/02/2017	E00120170040 : Nuovo Brand Vokera by Riello
5.0	09/11/2017	Aggiunto anello tenuta tav.4 pos.486 Razionalizzazione circolatori – E00120170341 : valvola sfogo aria
6.0	10/04/2018	E00120170689 : modifica GAR con cambio combustione(con gestione matricola) E00120180111 : valvola sfogo aria – E00120170709 : sifone modifica GAR (con gestione matricola)
7.0	06/09/2018	Aggiunta molletta fissaggio tubo tav.3 pos.538 Aggiunta guarnizione candela tav.4 pos.33 – E00120180460 : sifone condensa



Vokera reserve the right to change the specifications without prior notice.
Consumers' statutory rights are not affected.